

# JVC

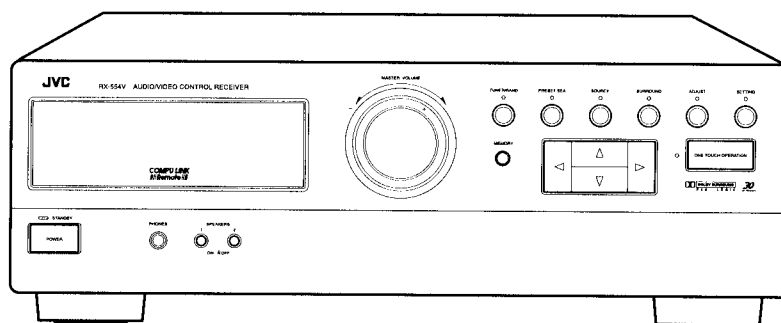
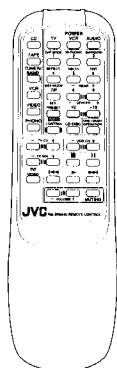
## SERVICE MANUAL

### AUDIO VIDEO CONTROL RECEIVER

# RX-554VBK

#### Area Suffix

J	.....	The U.S.A
C	.....	Canada
US	.....	Singapore
UT	.....	Tainwan
UF	.....	China
U	.....	Universal Except All Of Aboves



**COMPU LINK**  
Remote



### Contents

Safety Precautions .....	1-2,3	Adjustment Procedures .....	2-16
Instruction Book .....	1-4~25	Block Diagrams .....	2-17
Description of Major ICs .....	2-1~12	Schematic Diagrams .....	2-19~24
Internal Connection of Display .....	2-13	Printed Circuit Boards .....	2-25~28
Disassembly Procedures .....	2-14,15	Parts List .....	3-1~13

## Safety Precautions

1. This design of this product contains special hardware and many circuits and components specially for safety purposes. For continued protection, no changes should be made to the original design unless authorized in writing by the manufacturer. Replacement parts must be identical to those used in the original circuits. Services should be performed by qualified personnel only.
2. Alterations of the design or circuitry of the product should not be made. Any design alterations of the product should not be made. Any design alterations or additions will void the manufacturer's warranty and will further relieve the manufacture of responsibility for personal injury or property damage resulting therefrom.
3. Many electrical and mechanical parts in the products have special safety-related characteristics. These characteristics are often not evident from visual inspection nor can the protection afforded by them necessarily be obtained by using replacement components rated for higher voltage, wattage, etc. Replacement parts which have these special safety characteristics are identified in the Parts List of Service Manual. Electrical components having such features are identified by shading on the schematics and by ( $\triangle$ ) on the Parts List in the Service Manual. The use of a substitute replacement which does not have the same safety characteristics as the recommended replacement parts shown in the Parts List of Service Manual may create shock, fire, or other hazards.
4. The leads in the products are routed and dressed with ties, clamps, tubings, barriers and the like to be separated from live parts, high temperature parts, moving parts and/or sharp edges for the prevention of electric shock and fire hazard. When service is required, the original lead routing and dress should be observed, and it should be confirmed that they have been returned to normal, after re-assembling.

### 5. Leakage current check (Electrical shock hazard testing)

After re-assembling the product, always perform an isolation check on the exposed metal parts of the product (antenna terminals, knobs, metal cabinet, screw heads, headphone jack, control shafts, etc.) to be sure the product is safe to operate without danger of electrical shock.

Do not use a line isolation transformer during this check.

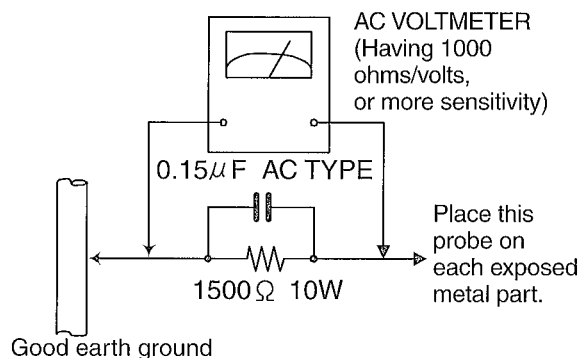
- Plug the AC line cord directly into the AC outlet. Using a "Leakage Current Tester", measure the leakage current from each exposed metal parts of the cabinet, particularly any exposed metal part having a return path to the chassis, to a known good earth ground. Any leakage current must not exceed 0.5mA AC (r.m.s.)

- Alternate check method

Plug the AC line cord directly into the AC outlet. Use an AC voltmeter having, 1,000 ohms per volt or more sensitivity in the following manner. Connect a 1,500 $\Omega$  10W resistor paralleled by a 0.15 $\mu$ F AC-type capacitor between an exposed metal part and a known good earth ground.

Measure the AC voltage across the resistor with the AC voltmeter.

Move the resistor connection to each exposed metal part, particularly any exposed metal part having a return path to the chassis, and measure the AC voltage across the resistor. Now, reverse the plug in the AC outlet and repeat each measurement. Voltage measured Any must not exceed 0.75 V AC (r.m.s.). This corresponds to 0.5 mA AC (r.m.s.).

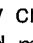


## Warning

1. This equipment has been designed and manufactured to meet international safety standards.
2. It is the legal responsibility of the repairer to ensure that these safety standards are maintained.
3. Repairs must be made in accordance with the relevant safety standards.
4. It is essential that safety critical components are replaced by approved parts.
5. If mains voltage selector is provided, check setting for local voltage.


**⚠ CAUTION** Burrs formed during molding may be left over on some parts of the chassis. Therefore, pay attention to such burrs in the case of performing repair of this system.

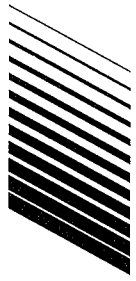
## **Safety Precautions (U.K only)**

1. This design of this product contains special hardware and many circuits and components specially for safety purposes. For continued protection, no changes should be made to the original design unless authorized in writing by the manufacturer. Replacement parts must be identical to those used in the original circuits.
2. Any unauthorised design alterations or additions will void the manufacturer's guarantee ; furthermore the manufacturer cannot accept responsibility for personal injury or property damage resulting therefrom.
3. Essential safety critical components are identified by (  ) on the Parts List and by shading on the schematics, and must never be replaced by parts other than those listed in the manual. please note however that many electrical and mechanical parts in the product have special safety related characteristics. These characteristics are often not evident from visual inspection. Parts other than specified by the manufacturer may not have the same safety characteristics as the recommended replacement parts shown in the Parts List of the Service Manual and may create shock, fire, or other hazards.
4. The leads in the products are routed and dressed with ties, clamps, tubings, barriers and the like to be separated from live parts, high temperature parts, moving parts and/or sharp edges for the prevention of electric shock and fire hazard. When service is required, the original lead routing and dress should be observed, and it should be confirmed that they have been returned to normal, after re-assembling.

## **Warning**

1. Service should be performed by qualified personnel only.
2. This equipment has been designed and manufactured to meet international safety standards.
3. It is the legal responsibility of the repairer to ensure that these safety standards are maintained.
4. Repairs must be made in accordance with the relevant safety standards.
5. It is essential that safety critical components are replaced by approved parts.
6. If mains voltage selector is provided, check setting for local voltage.

 **CAUTION** Burrs formed during molding may be left over on some parts of the chassis. Therefore, pay attention to such burrs in the case of preforming repair of this system.

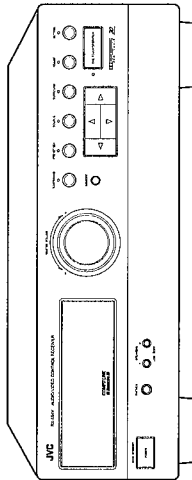


AUDIO/VIDEO CONTROL RECEIVER

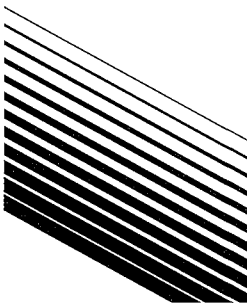
**RX-554VBK**



COMPUTER LINK  
Remote



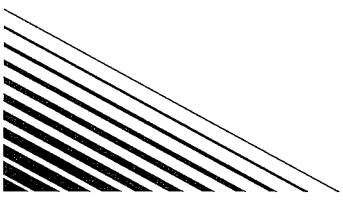
**INSTRUCTIONS**



**For Customer Use:**  
Enter below the Model No. and Serial No. which are located either on the rear bottom or side of the cabinet. Retain this information for future reference.

Model No. \_\_\_\_\_  
Serial No. \_\_\_\_\_

LET0117-001B  
01



## Warnings, Cautions and Others



**CAUTION**  
RISK OF ELECTRIC SHOCK  
DO NOT OPEN



CAUTION: TO REDUCE THE RISK OF ELECTRIC SHOCK, DO NOT REMOVE COVER (OR BACK). NO USER SERVICEABLE PARTS INSIDE. REFER SERVICING TO QUALIFIED SERVICE PERSONNEL.

The lightning flash with arrowhead symbol, within an equilateral triangle, is used to alert the user to the presence of uninsulated "dangerous voltage" within the product's enclosure that may be of sufficient magnitudes to constitute a risk of electric shock to persons.

The exclamation point within an equilateral triangle is intended to alert the user to the presence of important operating and maintenance (servicing) instructions in the literature accompanying the appliance.



### CAUTION

- To reduce the risk of electrical shocks, fire, etc.:
1. Do not remove screws, covers or cabinet.
  2. Do not expose this appliance to rain or moisture.

**Caution — POWER switch!**  
Disconnect the mains plug to shut the power off completely. The POWER switch in any position does not disconnect the mains line. The power can be remote controlled.

**WARNING: TO REDUCE THE RISK OF FIRE OR ELECTRIC SHOCK, DO NOT EXPOSE THIS APPLIANCE TO RAIN OR MOISTURE.**

Once you have found the best DAP, 3D-PHONIC and Surround mode settings for your listening room, note them in the table below for future reference (even though the receiver memorizes the settings until you change them).

For actual setting procedures, see pages 22 to 32.

DAP Mode	Dance Club	Live Club	Hall	Pavilion	Headphones
Rear Speaker Level*					
Effect Level					

3D-PHONIC Mode	3D Action	3D Drama	3D Theater
Effect Level			

Surround Mode	Dolby Pro Logic	Dolby 3ch Logic	Theater Surround
Center Mode			
Delay Time			
Center Speaker Level			
Rear Speaker Level*			
Effect Level			

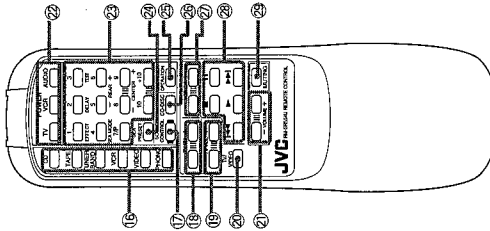
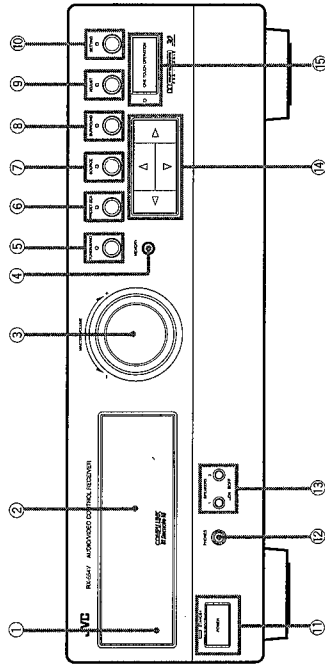
\* The left rear speaker level and right rear speaker level for DAP and the surround modes cannot be stored separately.

# Table of Contents

- Parts Identification ..... 2
- Easy Set Up & Operations ..... 3
- Getting Started ..... 5
  - Before Installation..... 5
  - Checking the Supplied Accessories ..... 5
  - Connecting the FM and AM Antennas ..... 6
  - Connecting the Speakers ..... 7
  - Connecting Audio/Video Components ..... 8
  - Connecting the Power Cord ..... 10
  - Putting Batteries in the Remote Control ..... 10
- Basic Operations ..... 11
  - Turning the Power On and Off ..... 11
  - Selecting the Source to Play ..... 11
  - Adjusting the Volume ..... 12
  - Selecting the Front Speakers ..... 12
  - Muting the Sound ..... 12
  - Recording a Source ..... 13
  - Listening with Headphones ..... 13
- Basic Settings ..... 14
  - Adjusting the Front Speaker Output Balance ..... 14
  - Listening at Low Volume (Loudness) ..... 14
  - Using the Sleep Timer ..... 14
  - Selecting the Center Speaker Size ..... 15
- One Touch Operation ..... 16
  - About the One Touch Operation ..... 16
  - Using the One Touch Operation ..... 16
- Receiving Radio Broadcasts ..... 17
  - Tuning in Stations Manually ..... 17
  - Using Preset Tuning ..... 17
  - Selecting the FM Reception Mode ..... 19
- Using the Preset SEA Modes ..... 20
  - Selecting Your Favorite SEA Mode ..... 20
- Activating the Surround Sounds ..... 22
  - Using JVC 3D-PHONIC Modes ..... 23
  - Using the DAP Modes ..... 25
  - Speaker Arrangements for Surround Modes ..... 25
  - Preparing for Surround Modes ..... 27
  - Using Surround Modes ..... 28
- COMPU LINK Remote Control System ..... 33
- Operating Other Components ..... 34
- Troubleshooting ..... 36
- Specifications ..... 37

# Parts Identification

Become familiar with the buttons and controls on the receiver before use.



Refer to the pages in parentheses for details.

### Front Panel

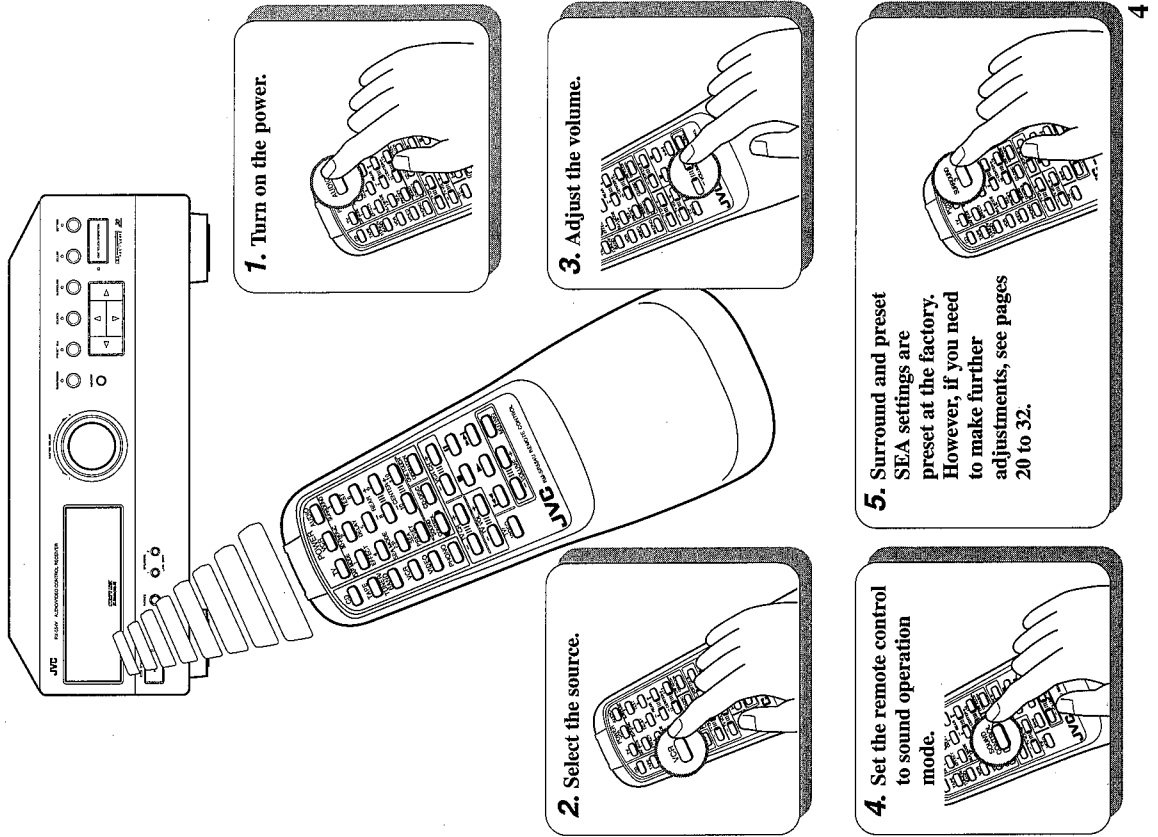
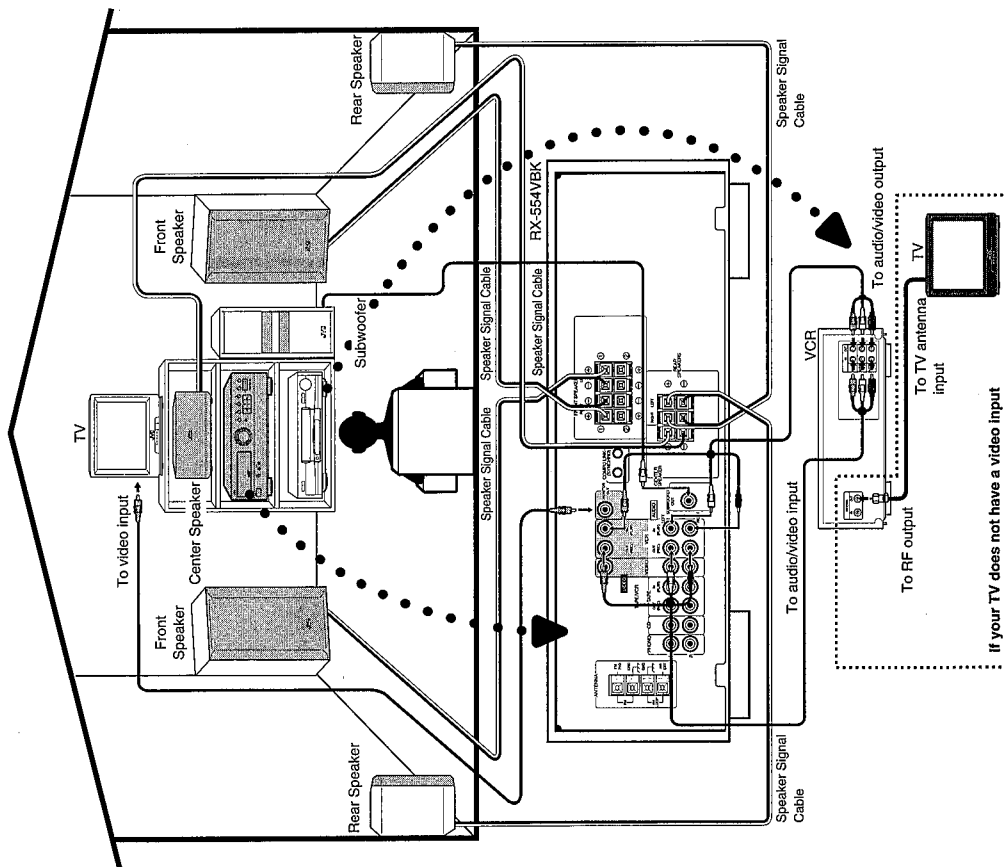
- ① Remote sensor (10)
- ② Display (11)
- ③ MASTER VOLUME control (12)
- ④ MEMORY button (17)
- ⑤ TUNER/BAND button and lamp (17)
- ⑥ PRESET SEA button and lamp (20)
- ⑦ SOURCE button and lamp (11)
- ⑧ SURROUND button and lamp (23, 25, 28)
- ⑨ ADJUST button and lamp (23, 25, 28)
- ⑩ SETTING button and lamp (14, 15)
- ⑪ POWER button and STANDBY lamp (11)
- ⑫ PHONES jack (13)
- ⑬ SPEAKERS 1/2 buttons (12, 13)
- ⑭ Control Δ / ▽ / < / > buttons (11)
- ⑮ ONE TOUCH OPERATION button and lamp (16)

### Remote Control

- ⑯ Source buttons (CD, TAPE, TUNER/BAND, VCR, VIDEO, PHONO) (11, 34, 35)
- ⑰ SOUND CONTROL button (21, 24, 26, 30, 32)
- ⑱ 10 keys/Audio control buttons (18, 21, 24, 26, 30, 32, 34)
- ⑳ SEA, PRESET button (21)
- ㉑ ONE TOUCH OPERATION button (16)
- ㉒ CD-DISC button (34)
- ㉓ VCR CH (Channel) buttons (4-7) (35)
- ㉔ Operating buttons for JVC audio/video components (34, 35)
- ㉕ TV CH (Channel) buttons (4-7) (35)
- ㉖ TV VOL. (Volume) buttons (4-7) (35)
- ㉗ TV/VIDEO button (35)
- ㉘ VOLUME buttons (4-7) (12)
- ㉙ POWER buttons (TV, VCR, AUDIO) (11, 35)
- ㉚ 10 keys/Audio control buttons (18, 21, 24, 26, 30, 32, 34)
- ㉛ SEA, PRESET button (21)
- ㉜ ONE TOUCH OPERATION button (16)
- ㉝ CD-DISC button (34)
- ㉞ VCR CH (Channel) buttons (4-7) (35)
- ㉟ Operating buttons for JVC audio/video components (34, 35)
- ㊱ MUTING button (12)

## Easy Set Up & Operations

If you are already familiar with audio components, these two pages just you opened give you enough information to operate your RX-554VBK for enjoyment of surround sound in your listening room.



## Getting Started

This section explains how to connect stereo components and speakers to the receiver, and how to connect the power supply.

### Before Installation

#### General

- Be sure your hands are dry.
  - Turn the power off to all components.
  - Read the manuals supplied with the components you are going to connect.
- #### Locations
- Install the receiver in a location that is level and protected from moisture.
  - The temperature around the receiver must be between 23° and 95° F (-5° and 35° C).
  - Make sure there is good ventilation around the receiver. Poor ventilation could cause overheating and damage the receiver.

#### Handling the receiver

- Do not insert any metal object into the receiver.
- Do not disassemble the receiver or remove screws, covers, or cabinet.
- Do not expose the receiver to rain or moisture.

### Checking the Supplied Accessories

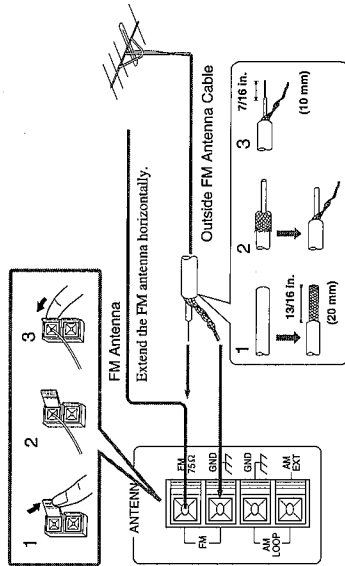
Check to be sure you have all of the following items, which are supplied with the receiver. The number in the parentheses indicates quantity of the pieces supplied.

- Remote Control (1)
- Batteries (2)
- AM Loop Antenna (1)
- FM Antenna (1)

If anything is missing, contact your dealer immediately.

### Connecting the FM and AM Antennas

#### FM Antenna Connections

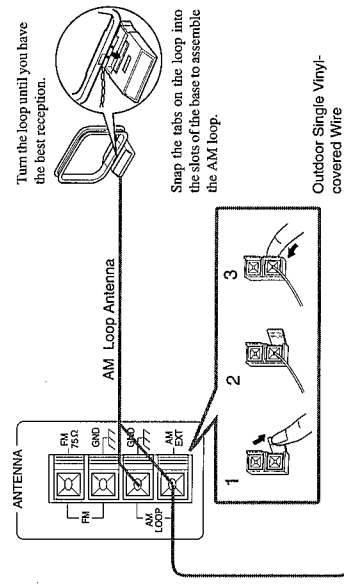


**Note:**  
If reception is poor, connect the outside antenna.  
Before attaching a 75 Ω coaxial cable (the kind with a round wire going to an outside antenna), disconnect the supplied FM wire antenna.

#### How to strip the 75 Ω coaxial cable and connect it to the FM terminals

1. Strip back the outside covering of the 75 Ω coaxial cable to expose the braided metallic mesh about 13/16 inches (20 mm).
2. Pull the mesh back and twist it into a single connector as shown in the illustration above.
3. Strip the insulation about 7/16 inches (10 mm) back from the central wire.
4. Insert the twisted mesh and the central wire to the FM terminals, as shown in the illustration above.

#### AM Antenna Connections



**Notes:**

- Make sure the antenna conductors do not touch any other terminals, connecting cords and power cord. This could cause poor reception.
- If reception is poor, connect an outdoor single vinyl-covered wire to the AM EXT terminal. (Keep the AM loop antenna connected.)



## Getting Started

### Connecting the Speakers

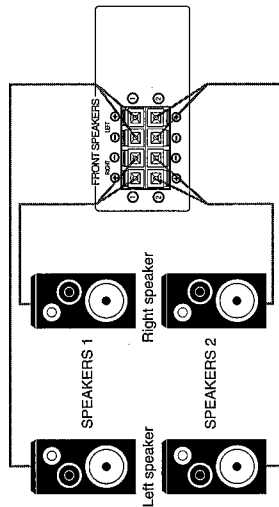
- You can connect the following speakers:
- Two sets of front speakers to produce normal stereo sound
  - One set of rear speakers to enjoy the surround effect
  - One center speaker to produce more effective surround effect (to make human voices outstanding)
  - One subwoofer to enhance the bass

For each speaker (except for subwoofer), connect one end of the speaker signal cable (not supplied) to the speaker terminal on the rear panel, and the other end to the speaker. (For connecting a subwoofer, see page 8.)

1. Open each terminal.
2. Insert the end of the speaker signal cable as shown (be sure to remove the insulation at the end of each wire first).
3. Close the terminals to clamp the speaker signal cables firmly in place.
4. Connect the (-) and (+) terminals on the rear panel to the (-) and (+) terminals marked on the speakers.

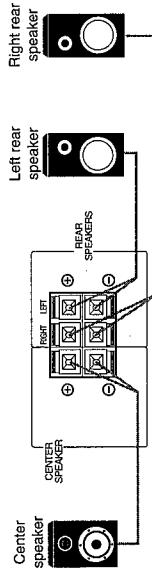
### Connecting the front speakers

Connect the front speakers to the FRONT SPEAKERS terminals.



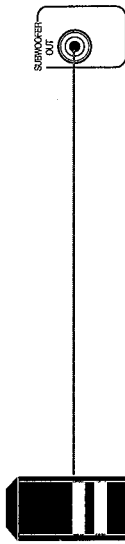
### Connecting the rear and center speakers

Connect the rear speakers to the REAR SPEAKERS terminals and the center speaker to the CENTER SPEAKER terminals.



### Connecting the subwoofer

Connect the input jack of a powered subwoofer to the SUBWOOFER OUT jack on the rear panel, using a cable with RCA pin plugs.



Powered subwoofer

### Connecting Audio/Video Components

You can connect the following components to the receiver using cables with RCA pin plugs.

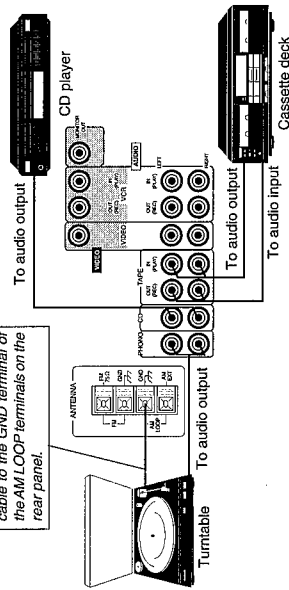
Audio Components	Video Components
• Turntable	• VCR
• CD player	• Video disc player
• Cassette deck	• TV

### CAUTION:

If you connect a sound-enhancing device such as a graphic equalizer between the source components and this receiver, the sound output through this receiver may be distorted.

### Audio component connections

If a ground cable is provided for your turntable, connect the cable to the GND terminal of the AM LOOP terminals on the rear panel.



### Note:

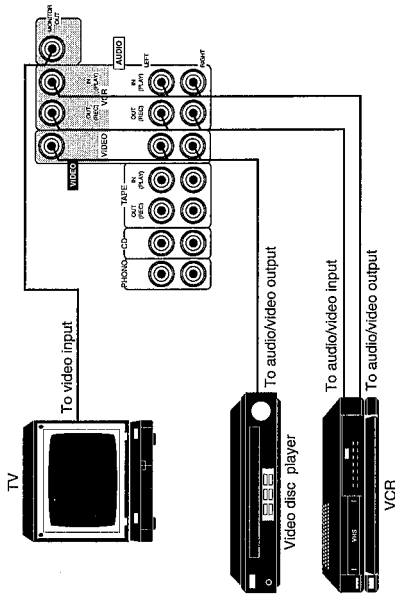
Any turntables incorporating a small-output cartridge such as an MC (moving-coil type) must be connected to the receiver through a commercial head amplifier or step-up transformer. Direct connection may result in insufficient volume.

### Notes:

- When you connect rear speakers, make sure that both left and right speakers are connected; otherwise, no sound will come out of the rear speakers.
- You can register the center speaker size after you finish its connection. If you register it, you do not have to set the center speaker mode while setting the surround mode. (If you do not use a center speaker, register that information.) See page 15.

# Getting Started

## Video component connections



If your audio components have a **COMPU LINK-3** terminal. The COMPU LINK remote control system allows you to control other JVC audio components from the receiver or vice versa. For detailed information about the COMPU LINK-3 remote control system, see page 33.

## Connecting the Power Cord

Before plugging the receiver into an AC outlet, make sure that all connections have been made. When the power cord is connected, the **STANDBY** lamp above the **POWER** button lights up. Keep the power cord away from the connecting cables for the TV, VCR, and antenna. The power cord may cause noise or screen interference. We recommend that you use a coaxial cable to connect the antenna, since it is well-shielded against interference.

## Notes:

- A small amount of power is always consumed even in standby mode. To switch off the power completely, unplug the power cord from the AC outlet.
- If the power cord is unplugged (or a power failure occurs), preset settings will be erased in a few days.

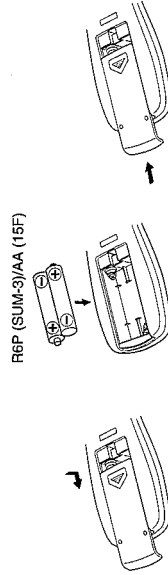
## CAUTIONS:

- Do not touch the power cord with wet hands.
- Do not pull on the power cord to unplug the receiver. When unplugging the receiver, always grasp the plug itself so as not to damage the cord.

## Putting Batteries in the Remote Control

Before using the remote control, put the two supplied batteries in first. When using the remote control, aim the remote control directly at the remote sensor on the receiver.

1. On the back of the remote control, press down on the battery cover and slide it out.
2. Insert batteries. Make sure to observe the proper polarity: (+) to (+) and (-) to (-).
3. Slide the cover.



If the range or effectiveness of the remote control decreases, replace the batteries. Use two R6P (SUM-3)AAA (15F) type dry-cell batteries.

## CAUTIONS:

- Follow these precautions to avoid leaking or cracking cells:
- Place batteries in the remote control so they match the polarity indicated: (+) to (+) and (-) to (-).
  - Use the correct type of batteries. Batteries that look similar may differ in voltage.
  - Always replace both batteries at the same time.
  - Do not expose batteries to heat or flame.

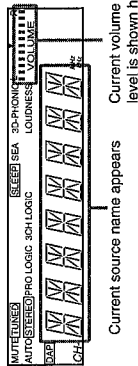
# Basic Operations

The following operations are commonly used when you play any sound source.

## Turning the Power On and Off

**On the front panel:**

To turn on the power, press **POWER**. The **STANDBY** lamp goes off. The name of the current source (or station frequency) appears on the display.



Current source name appears  
Current volume level is shown here

To turn off the power, press **POWER** again. The **STANDBY** lamp lights up.

**From the remote control:**

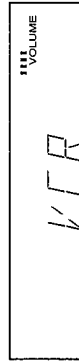
To turn on the power, press **AUDIO**. The **STANDBY** lamp goes off. The name of the current source (or station frequency) appears on the display.

To turn off the power, press **AUDIO** again. The **STANDBY** lamp lights up.

## Selecting the Source to Play

**On the front panel:**

1. Press **SOURCE** so that the Control  $\Delta / \nabla$  buttons work for selecting the source. The lamp above the button lights up.
2. Press Control  $\Delta / \nabla$  until the source name you want appears on the display.



**From the remote control:**

Press one of the source buttons directly.

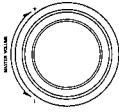
- CD\* Listen to the CD player.
- TAPE\* Listen to the cassette deck.
- TUNER/BAND\* Listen to the radio. Each time you press the button, the band alternates between FM and AM.
- VCR View the playback picture from the VCR.
- VIDEO View the video component connected to the VIDEO jacks.
- PHONO\* Listen to a record.

**Note:**  
When you press one of the source buttons on the remote control marked with an asterisk (\*), the receiver automatically turns on.

## Adjusting the Volume

**On the front panel:**

To increase the volume, turn **MASTER VOLUME** clockwise.  
To decrease the volume, turn it counterclockwise.



When you turn **MASTER VOLUME** rapidly, the volume level also changes rapidly.  
When you turn **MASTER VOLUME** slowly, the volume level also changes slowly.

**From the remote control:**

To increase the volume, press **VOLUME +**.  
To decrease the volume, press **VOLUME -**.



## Selecting the Front Speakers

**On the front panel only:**

When you have connected two sets of front speakers, you can select which to use. Pressing **SPEAKERS 1** or **SPEAKERS 2** activates the respective set of speakers.



To use the set of speakers connected to the **FRONT SPEAKERS 1** terminals, press **SPEAKERS 1** to set it in the **-ON** position, and press **SPEAKERS 2** to set it in the **OFF** position.

To use the set of speakers connected to the **FRONT SPEAKERS 2** terminals, press **SPEAKERS 2** to set it in the **-ON** position, and press **SPEAKERS 1** to set it in the **OFF** position.

To use both sets of speakers, press both **SPEAKERS 1** and **2** to set them in the **-ON** position.  
To use neither set of speakers, press both **SPEAKERS 1** and **2** to set them in the **OFF** position.

## Notes:

- When only one set of the front speakers is connected to either the **FRONT SPEAKERS 1** or **2** terminals, do not press both **SPEAKERS 1** and **2** to set them in the **-ON** position. If you do, no sound comes out of the front speakers.
- The **SPEAKERS 1** and **2** do not affect the sound output of the center and rear speakers.

## Muting the Sound

**From the remote control only:**

Press **MUTING** to turn off the sound through all speakers and headphones connected. "MUTE" appears on the display and the volume turns off.



To restore the sound, press **MUTING** again. Turning **MASTER VOLUME** or pressing **VOLUME +/-** also restores the sound.

## Basic Operations

### Recording a Source

You can record any source playing through the receiver to a cassette deck connected to the TAPE jacks and the VCR connected to the VCR jacks at the same time. While recording, you can listen to the selected sound source at whatever sound level you like, without affecting the sound levels of the recording.

### Listening with Headphones

A standard pair of headphones can be connected to the PHONES jack on the front panel. Be sure to turn down the volume before connecting or putting on headphones, as high volume can damage both the headphones and your hearing.

To listen with only headphones

Press both SPEAKERS 1 and 2 to set them in the **OFF** position.



### Note:

The output volume level, preset SEA, DAP, 3D-PHONIC and surround modes cannot affect the recording.

### Note:

The SPEAKERS 1 and 2 do not affect the sound output of the center and rear speakers.


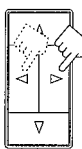
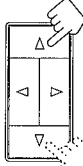
## Basic Settings

Some of the following settings are required after connecting and positioning your speakers in your listening room, while others will make operations easier.

### Adjusting the Front-Speaker Output Balance

If the sounds you hear from the front right and left speakers are unequal, you can adjust the speaker output balance.

On the front panel **only**:

1. Press **SETTING** so that the Control  $\Delta / \nabla / \triangleleft / \triangleright$  buttons work for adjusting the balance. The lamp above the button lights up.
 
2. Press Control  $\Delta / \nabla$  until "BALANCE" appears on the display.
 
3. Press Control  $\triangleleft / \triangleright$  to adjust the balance.
  - Pressing Control  $\triangleleft$  decreases the right channel output.
  - Pressing Control  $\triangleright$  decreases the left channel output.

### Note:

If the balance is not set at the center, "BALANCE  $\triangleleft$ " or "BALANCE  $\triangleright$ " will appear in step 2.

### Listening at Low Volume (Loudness)

Human ears are not sensitive to bass at low volume. To compensate for this, the Loudness function automatically boosts the bass level as you lower the volume.

On the front panel **only**:

1. Press **SETTING** so that the Control  $\Delta / \nabla / \triangleleft / \triangleright$  buttons work for setting the Loudness function. The lamp above the button lights up.
2. Press Control  $\Delta / \nabla$  until "LOUDNESS" appears on the display.
3. Press Control  $\triangleleft / \triangleright$  to set the Loudness function to "ON" or "OFF".
  - Select "ON" to activate the Loudness function. The LOUDNESS indicator lights up on the display.
  - Select "OFF" to cancel it. The indicator goes off.

### Using the Sleep Timer

Using the Sleep Timer, you can fall asleep to music and know the receiver will turn off by itself rather than play all night.

On the front panel **only**:

1. Press **SETTING** so that the Control  $\Delta / \nabla / \triangleleft / \triangleright$  buttons work for setting the Sleep Timer. The lamp above the button lights up.
2. Press Control  $\Delta / \nabla$  until "SLEEP" appears on the display.
3. Press Control  $\triangleleft / \triangleright$  to set the shut-off time. The SLEEP indicator lights up on the display. Each time you press the button, the shut-off time on the display changes as follows:



## Basic Settings

When the shut-off time comes  
The receiver turns off automatically.

To check or change the time remaining until the shut-off time

1. Press SETTING, if necessary, so that the Control  $\Delta / \nabla / \triangleleft / \triangleright$  buttons work for setting the Sleep Timer.
2. Press Control  $\Delta / \nabla$ , if necessary, until "SLEEP" appears on the display.
3. Press Control  $\triangleleft / \triangleright$ 
  - The remaining time until the shut-off time appears in minutes.
  - To change the shut-off time, press Control  $\triangleleft / \triangleright$  repeatedly.

To cancel the Sleep Timer

Press Control  $\triangleleft / \triangleright$  repeatedly in step 3 above until "0" appears on the display. (The SLEEP indicator goes off.)  
Turning off the power also cancels the Sleep Timer.

### Selecting the Center-Speaker Size

You can register the information about the center speaker after all connections are completed.  
If you do this registration first, you do not have to adjust the center speaker mode when you want to activate the surround sound.

**On the front panel only:**

1. Press SETTING so that the Control  $\Delta / \nabla / \triangleleft / \triangleright$  buttons work for selecting the center speaker size.  
The lamp above the button lights up.
2. Press Control  $\Delta / \nabla$  until "CNTR SPK" (Center Speaker) appears on the display.
3. Press Control  $\triangleleft / \triangleright$  to select the appropriate item about your center speaker.  
Each time you press the button, the display changes to show the following.

SMALL  $\longleftrightarrow$  LARGE  $\longleftrightarrow$  NO

<b>SMALL:</b>	Select this mode when the size of the center speaker is smaller than that of the front speakers.
<b>LARGE:</b>	Select this mode when the size of the center speaker is the same as that of the front speakers.
<b>NO:</b>	Select this mode when you do not use a center speaker.

## One Touch Operation

This receiver can memorize the optimum sound settings for each playing source.

### About the One Touch Operation

JVC's One Touch Operation function is used to assign and store different sound settings for each different playing source. By using this function, you do not have to change the settings every time you change the source. The stored settings for the newly selected source are automatically recalled.

- The following can be stored for each source:
- Volume level (see page 12)
  - Balance (see page 14)
  - Loudness (see page 14)
  - Preset SEA modes (see page 20)
  - 3D-PHONIC mode settings (see page 23)
  - DAP mode settings (see page 25)
  - Surround mode settings (see page 28)

### Using the One Touch Operation

To store a the sound settings

1. Press ONE TOUCH OPERATION.

The ONE TOUCH OPERATION lamp lights up, then the previously memorized settings are recalled and appear on the display in turn.

2. Adjust the sound using the functions listed above.  
The newly adjusted settings are memorized.

To recall the sound settings

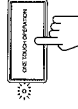
With the ONE TOUCH OPERATION lamp lit, the settings for the currently selected source is recalled, and appears on the display when the source is selected.

To cancel the One Touch Operation function

Press ONE TOUCH OPERATION so that the lamp goes off.  
(Even though the One Touch Operation function is canceled, the recalled sound effects remain active.)

### Note:

- If the source is TUNER/BAND, the One Touch Operation function memorizes the settings each for the FM and AM band.
- The DAP mode, surround mode and 3D-PHONIC mode cannot be used at the same time.



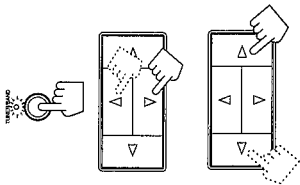
# Receiving Radio Broadcasts

You can browse through all the stations or use the preset function to go immediately to a particular station.

## Tuning in Stations Manually

On the front panel only:

1. Press TUNER/BAND.  
The indicator above the button lights up. Each time you press the button, the band alternates between FM and AM.
2. Press Control  $\Delta$  /  $\nabla$  until "TUNING+" appears on the display.
3. Press Control  $\triangleleft$  /  $\triangleright$  until you find the frequency you want.
  - Pressing Control  $\triangleleft$  decreases the frequency.
  - Pressing Control  $\triangleright$  increases the frequency.



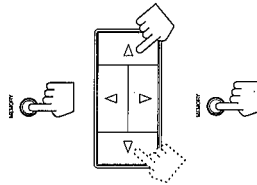
## Using Preset Tuning

Once a station is assigned to a channel number, the station can be quickly tuned. You can preset up to 40 stations at random.

### To store a preset station

On the front panel only:

1. Tune in the station you want to preset (see above).  
If you want to store the FM reception mode for this station, select the FM reception mode you want. See page 19 for details.
2. Press MEMORY.  
The channel number starts flashing on the display for about 5 seconds.
3. Press Control  $\triangleleft$  /  $\triangleright$  to select a channel number while the channel number position is flashing.
  - Pressing Control  $\triangleleft$  decreases the number.
  - Pressing Control  $\triangleright$  increases the number.
4. Press MEMORY again while the selected channel number is flashing on the display.  
The selected channel number stops flashing.  
The station is assigned to the selected channel number.



### Notes:

- When you hold down Control  $\triangleleft$  /  $\triangleright$  in step 3, the frequency keeps changing until you press Control  $\triangleleft$  /  $\triangleright$  again or a station is tuned in.
- When a station of sufficient signal strength is tuned in, the TUNED indicator lights up on the display.  
When an FM stereo program is received, the STEREO indicator also lights up.

### CAUTION:

Preset stations may be erased in a few days when power is out off to the receiver, as when it is unplugged from the AC outlet or a power failure occurs. If the preset stations are lost, simply set the stations again.

### Note:

You can press 10 keys on the remote control to select a channel number in step 3. If you have pressed TUNER/BAND on the remote control prior to starting this preset procedure.

- For channel number 5, press 5.
- For channel number 15, press +10 then 5.
- For channel number 20, press +10 then 10.
- For channel number 30, press +10, +10, then 10.

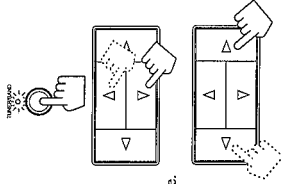
5. Repeat steps 1 to 4 until you store all the stations you want.

### To cancel a stored preset station

Storing a new station on a used number erases the previously stored one.

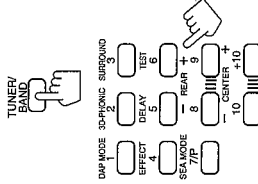
### To tune in a preset station

- On the front panel:
1. Press TUNER/BAND so that the Control  $\Delta$  /  $\nabla$  /  $\triangleleft$  /  $\triangleright$  buttons work for tuner settings.  
The lamp above the button lights up.
  2. Press Control  $\Delta$  /  $\nabla$  until "PRESET+" appears on the display.
  3. Press Control  $\triangleleft$  /  $\triangleright$  to select a preset channel.  
Each time you press the button, the preset channels change.
    - Pressing Control  $\triangleleft$  changes preset channels in decreasing order.
    - Pressing Control  $\triangleright$  changes preset channels in increasing order.



### From the remote control:

1. Press TUNER/BAND.  
Each time you press the button, the band alternates between FM and AM.
2. Press 10 keys to select a preset channel number.
  - For channel number 5, press 5.
  - For channel number 15, press +10 then 5.
  - For channel number 20, press +10 then 10.
  - For channel number 30, press +10, +10, then 10.



### Note:

If you adjust the sound by using SOUND CONTROL while listening to a station, the 10 keys will work for adjusting the sound. To select a preset channel number after the sound adjustment, press TUNER/BAND again, so the 10 keys will work for selecting the preset channel numbers.

## Receiving Radio Broadcasts

### Selecting the FM Reception Mode

You can change the FM reception mode while receiving an FM broadcast.

On the front panel only:

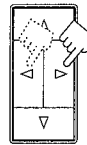
1. Press TUNER/BAND so that the Control  $\Delta / \nabla / \triangleleft / \triangleright$  buttons work for tuner settings.

The lamp above the button lights up.

2. Press Control  $\Delta / \nabla$  until "FM MODE" appears on the display.

3. Press Control  $\triangleleft / \triangleright$  to select either "FM AUTO" or "FM MONO."

- Normally select "FM AUTO."
- When an FM stereo broadcast is hard to receive or noisy, select "FM MONO."



<b>FM AUTO:</b>	When a program is broadcast in stereo, you will hear stereo sound; when in monaural, you will hear monaural sounds. This mode is also useful to suppress static noise between stations. The MUTE AUTO indicator lights up on the display.
<b>FM MONO:</b>	Reception will be improved although you will lose the stereo effect. In this mode, you will hear noise while tuning into the stations. The MUTE AUTO indicator goes off on the display.

### Note:

You can store the FM reception mode for each preset station.

## Using the Preset SEA Modes

The preset SEA (Sound Effect Amplifier) modes give you control of the way your music sounds.

### Selecting Your Favorite SEA Mode

On the front panel:

1. Press PRESET SEA so that the Control  $\Delta / \nabla / \triangleleft / \triangleright$  buttons work for preset SEA setting.

The lamp above the button lights up.

2. Press Control  $\Delta / \nabla$  until the preset SEA mode you want appears on the display.

The SEA indicator also lights up on the display.

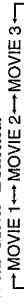
Each time you press the button, the preset SEA modes change as follows:



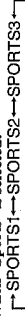
3. Press Control  $\triangleleft / \triangleright$  to select the effect level.

Each time you press the button, the effect level changes as follows:

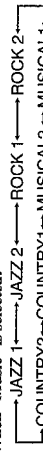
When "Movie" is selected:



When "Sports" is selected:

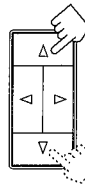
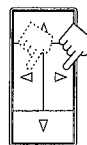


When "Music" is selected:



### Notes:

- The preset SEA modes cannot be used for recording.
- When you turn on the preset SEA mode, the mode with its effect level previously selected is recalled at first.



<b>Movie:</b>	Adds breadth to sounds so you feel like you are in a movie theater.
<b>Sports:</b>	Makes sounds exciting.
<b>Music:</b>	Select one of the modes below:
<b>JAZZ:</b>	Gives a feeling of a live atmosphere. Good for acoustic music.
<b>ROCK:</b>	Gives a heavy sound. Both high and low frequencies are boosted.
<b>MUSICAL:</b>	Enhances the mid-frequency range, which the human voice is mostly made up of.
<b>COUNTRY:</b>	Enhances the high-frequency range so that instruments such as the violin and banjo are emphasized.
<b>OFF:</b>	No preset SEA mode is applied (See below).

To cancel the preset SEA mode...

Select "OFF" in step 2 above.

The SEA indicator goes off from the display.

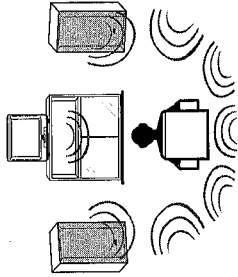
## Activating the Surround Sounds

The built-in surround processor provides three groups of programs — JVC 3D-PHONIC mode, DAP (Digital Acoustic Processor) mode, and surround modes (Dolby Surround and JVC Theater Surround).

You cannot use the DAP mode and surround mode at the same time. When you turn on the DAP mode, the surround mode is turned off (if it has been on), and vice versa.

### On JVC 3D-PHONIC mode

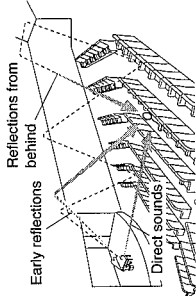
JVC 3D-PHONIC mode gives you such a nearly surround effect as it is reproduced through the Dolby Surround decoder, which is widely used to reproduce sounds with a feeling of movement like those experienced in movie theaters. JVC 3D-PHONIC mode is the result of research on sound localization technology carried out at JVC for many years and makes it possible to reproduce the surround sound with only two front speakers.



- Notes:**
- The surround processor has no effect on monaural sources.
  - The surround processor cannot be used for recording.

### On the DAP mode

The sound heard in a concert hall or club consists of direct sound and indirect sound — early reflections and reflections from behind. Direct sounds reach the listener directly without any reflection. On the other hand, indirect sounds are delayed by the distances of the ceiling and walls. These direct sounds and indirect sounds are the most important elements of the acoustic surround effects. The DAP mode can create these important elements, and gives you a real "being there" feeling by using the front speakers and rear speakers.

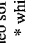


### On surround modes

With this receiver, you can use two types of the surround mode.

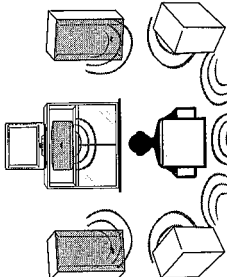
#### Dolby Surround

Dolby Surround has been developed to reproduce the important elements of the acoustic surround at home.

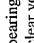
To watch the soundtracks of video software bearing the mark  \* which includes the same encoded surround information as found in Dolby Stereo films, the receiver can provide you with 2 Dolby Surround modes (Dolby Pro Logic and Dolby 3ch Logic).

**Dolby Pro Logic:** Select this mode when optional center and rear speakers are connected.

**Dolby 3ch Logic:** Select this mode when a center speaker is connected without rear speakers.



#### JVC Theater Surround

In order to reproduce a more realistic sound field in your listening room while playing soundtracks of video software bearing the mark , JVC Theater Surround has been designed to give you clear vocals and to create a real "being there" feeling. The sound is reproduced through the front speakers, rear speakers and center speakers.

\* Manufactured under license from Dolby Laboratories Licensing Corporation. Additionally licensed under Canadian patent number 1,037,877. "Dolby," the double-D symbol and "Pro Logic" are trademarks of Dolby Laboratories Licensing Corporation.

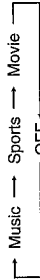
## Using the Preset SEA Modes

From the remote control:

1. Press **SOUND CONTROL**, so that 10 keys work for adjusting the sound.

2. Press **SEA MODE** until the preset SEA mode you want appears on the display.

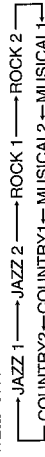
The previously selected mode is recalled (at its previous effect level) and is shown on the display. Each time you press the button, the preset SEA modes change as follows:



3. Press **SEA PRESET** to select the effect level.

Each time you press the button, the effect level changes as follows:

When "Music" is selected:



When "Sports" is selected:



When "Movie" is selected:



To cancel the preset SEA mode

Selecting "OFF" in step 2 above.

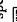
The SEA indicator goes off from the display.





## Activating the Surround Sounds

### Using JVC 3D-PHONIC Modes

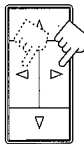
When using JVC 3D-PHONIC modes, you need only two front speakers to reproduce the soundtracks of video software bearing the mark . The 3D-PHONIC modes give you very realistic surround effects as if the sound is reproduced through the Dolby Surround decoder.

On the front panel:

1. Press SURROUND so that the Control  $\Delta / \nabla / \triangleleft / \triangleright$  buttons work for selecting the surround/DAP/3D-PHONIC modes.  
The lamp above the button lights up.



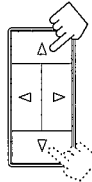
2. Press Control  $\Delta / \nabla$  until one of the 3D-PHONIC mode ("3DACTION", "3DTHEATR" or "3DDRAMA") appears on the display.  
Each time you press the button, surround/DAP/3D-PHONIC modes change as follows:



Ex.  $\rightarrow$  PROLOGIC  $\rightarrow$  THEATER  $\rightarrow$  3CHLOGIC  
 $\rightarrow$  OFF  $\rightarrow$  3DACTION\*  $\rightarrow$  PAVILION\*  
 (One of the lines modes appears)

\* As for the DAP modes (see page 25) and the 3D-PHONIC modes, one of the previously selected mode appears on the display.

3. Press Control  $\triangleleft / \triangleright$  until the 3D-PHONIC mode you want appears on the display.  
Each time you press the button, the 3D-PHONIC modes change as follows:



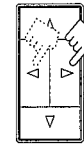
$\rightarrow$  3DACTION  $\rightarrow$  3DTHEATR  $\rightarrow$  3DDRAMA

3DACTION	Best for action and war movies — where the action is fast and explosive.
3DTHEATR	Reproduces the sound field of a large theater.
3DDRAMA	Best for dramas and romantic movies — where the action is slow and soft.

4. Press ADJUST so that Control  $\Delta / \nabla$  buttons work for adjusting the effect level.  
The lamp above the button lights up.



5. Press Control  $\Delta / \nabla$  until "EFFECT+" appears on the display.



### Note:

The 3D-PHONIC mode is not used with other surround modes such as Dolby Surround, JVC Theater Surround and the DAP modes. When the 3D-PHONIC mode is turned on, the other surround mode, if used, will be turned off.

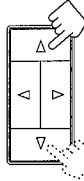
### Note:

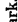
When one of the 3D-PHONIC modes is selected, the 3D-PHONIC indicator also lights up on the display.

6. Press Control  $\triangleleft / \triangleright$  to adjust the effect level.  
Each time you press the button, the effect level changes as follows:

$\rightarrow$  EFFECT 1  $\rightarrow$  EFFECT 2  $\rightarrow$  EFFECT 3  $\rightarrow$  EFFECT 4  $\rightarrow$  EFFECT 5  $\rightarrow$

As the number increases, the effect of the selected 3D-PHONIC mode becomes stronger.



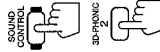
7. Select and play a sound source which was processed with Dolby Surround and is labeled with  mark.

To cancel the 3D-PHONIC mode

Select "OFF" in step 2.  
The 3D-PHONIC indicator goes off from the display.

From the remote control:

1. Press SOUND CONTROL so that 10 keys work for adjusting the sound.
2. Press 3D-PHONIC to select the 3D-PHONIC mode you want.



The previously selected mode is recalled at first (at its previous effect level) and is shown on the display.  
The 3D-PHONIC indicator also lights up on the display.  
Each time you press the button, the 3D-PHONIC modes change as follows:

$\rightarrow$  3DTHEATR  $\rightarrow$  3DDRAMA  $\rightarrow$  3DACTION  $\rightarrow$  OFF

3. Press EFFECT to select the effect level.

Each time you press the button, the level changes as follows:

$\rightarrow$  EFFECT 1  $\rightarrow$  EFFECT 2  $\rightarrow$  EFFECT 3  $\rightarrow$  EFFECT 4  $\rightarrow$  EFFECT 5  $\rightarrow$

As the number increases, the effect of the selected 3D-PHONIC mode becomes stronger.

4. Select and play a sound source which was processed with Dolby Surround and is labeled with  mark.

To cancel the 3D-PHONIC mode

Select "OFF" in step 2 above.  
The 3D-PHONIC indicator goes off from the display.

### Note:

Once you have adjusted the effect level, it is memorized for each 3D-PHONIC mode.

## Activating the Surround Sounds

### Using the DAP Modes

You can use five DAP modes — "Dance Club, Live Club, Hall, Pavilion, and Headphones." These modes (except "Headphones") require the front speakers and the rear speakers, but do not require a center speaker to enlarge the sound field.

Among the DAP modes, "Headphones" is very special. It can create the same stereo sound as you listen through the speakers off air while listening to a source using headphones. So, you can feel as if you were not using the headphones and listening to music in a room.

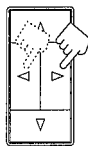
On the front panel:

1. Press SURROUND so that the Control  $\Delta / \nabla / \triangleleft / \triangleright$  buttons work for selecting the surround/DAP/3D-  
PHONIC modes.  
The lamp above the button lights up.



2. Press Control  $\Delta / \nabla$  until one of the DAP mode ("HEAD P", "PAVILION", "HALL", "LIVE C", or "DANCE C") appears on the display.  
Each time you press the button, the surround/DAP/3D-  
PHONIC modes change as follows:

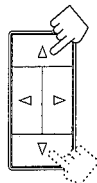
Ex: PROLOGIC  $\leftrightarrow$  THEATER  $\leftrightarrow$  3CHLOGIC  
OFF  $\leftrightarrow$  3DACTION\*  $\leftrightarrow$  PAVILION\*  
(One of the five modes appears)



\* As for the 3D-PHONIC modes (see page 23) and the DAP modes, one of the previously selected mode appears on the display.

3. Press Control  $\triangleleft / \triangleright$  until the DAP mode you want appears on the display.  
Each time you press the button, the DAP modes change as follows:

HEAD P  $\leftrightarrow$  PAVILION  $\leftrightarrow$  HALL  
DANCE C  $\leftrightarrow$  LIVE C  $\leftrightarrow$  HALL



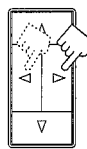
HEAD Phones*	Gives a spacious stereo effect when listening with headphones.
PAVILION	Gives the spacious feeling of a pavilion with a high ceiling.
HALL	Gives clear vocal and the feeling of a concert hall.
LIVE Club	Gives the feeling of a live music club with a low ceiling.
DANCE Club	Gives a throbbing bass beat.

\* When you select "HEAD P", you cannot go to the following steps. No adjustments can be made for "Headphones."

4. Press ADJUST so that the Control  $\Delta / \nabla / \triangleleft / \triangleright$  buttons work for adjusting the selected mode.  
The lamp above the button lights up.



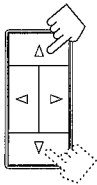
5. Press Control  $\Delta / \nabla$  until "REAR +\*" appears on the display.



**Note:**  
Once you have adjusted the DAP modes, the adjustment is memorized for each DAP mode.

6. Press Control  $\triangleleft / \triangleright$  to adjust the rear speaker output level.

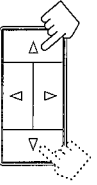
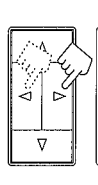
- Pressing Control  $\triangleleft$  decreases the output level up to -10 dB.
- Pressing Control  $\triangleright$  increases the output level up to +10 dB.



7. Press Control  $\Delta / \nabla$  until "EFFECT+" appears on the display.

8. Press Control  $\triangleleft / \triangleright$  to adjust the effect level.  
Each time you press the button, the effect level changes as follows:

EFFECT 1  $\leftrightarrow$  EFFECT 2  $\leftrightarrow$  EFFECT 3  
EFFECT 4  $\leftrightarrow$  EFFECT 5



**Note:**  
When adjusting the effect level for "PAVILION" or "HALL," a reverb sound comes out. This is because a long reverb is applied to these two modes.

As the number increases, the effect of the selected DAP mode becomes stronger.

To cancel the DAP mode

Select "OFF" in step 2.  
The DAP indicator goes off from the display.

From the remote control:

1. Press SOUND CONTROL so that 10 keys work for adjusting the sound.



2. Press DAP MODE to select the DAP mode you want.  
The previously selected mode is recalled at first (at its previous effect level) and is shown on the display.  
The DAP indicator also lights up on the display.  
Each time you press the button, the DAP modes change as follows:

HEAD P  $\leftrightarrow$  PAVILION  $\leftrightarrow$  HALL  
OFF  $\leftrightarrow$  DANCE C  $\leftrightarrow$  LIVE C

\* When you select "HEAD P" (or "OFF"), you cannot go to the following steps. No adjustments can be made for "Headphones."

3. Press REAR +/- to adjust the rear speaker output level.

- Pressing REAR - decreases the output level up to -10 dB.
- Pressing REAR + increases the output level up to +10 dB.



4. Press EFFECT to select the effect level.  
Each time you press the button, the effect level changes as follows:

EFFECT 1  $\leftrightarrow$  EFFECT 2  $\leftrightarrow$  EFFECT 3  
EFFECT 4  $\leftrightarrow$  EFFECT 5



To cancel the DAP mode

Select "OFF" in step 2 above.  
The DAP indicator goes off from the display.

**Note:**  
Once you have adjusted the DAP modes, the adjustment is memorized for each DAP mode.

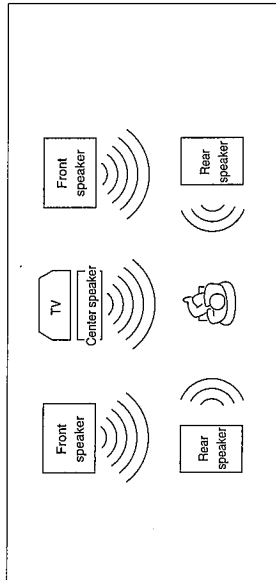
## Activating the Surround Sounds

With this receiver, you can use two types of the surround modes — Dolby Surround and JVC Theater Surround.

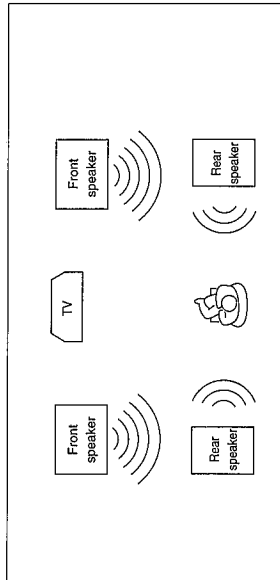
### Speaker Arrangements for Surround Modes

The following illustrations show how to obtain the optimum sound environment for various surround modes settings. Try to find the speaker direction and location to create the optimum sound field.

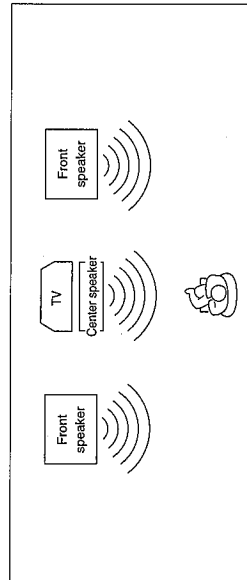
**CASE 1** When you have added a center speaker and rear speakers



**CASE 2** When you have added rear speakers (without a center speaker)



**CASE 3** When you have added a center speaker (without rear speakers)



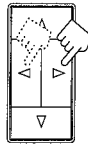
### Preparing for Surround Modes

Once you have set the surround modes, you can use the same adjustment every time you want to activate the surround mode you want. The receiver memorizes surround adjustments for each mode.

On the front panel:

1. Press SURROUND so that the Control  $\Delta/\nabla$  buttons work for selecting the surround modes.

The lamp above the button lights up.



**Note:**

When one of the surround modes is selected, the corresponding indicator lights up on the display.

2. Press Control  $\Delta/\nabla$  to select one of the surround mode ("PROLOGIC", "3CHLOGIC" or "THEATER").

Each time you press the button, the surround modes change as follows:



<b>PROLOGIC</b>	Select this mode when you use a center speaker and rear speakers.
<b>THEATER</b>	Select this mode to watch a video source with Dolby Surround when you have connected the rear speakers (and a center speaker). This mode gives you the feeling of a movie theater.
<b>3CHLOGIC</b>	Select this mode when you use a center speaker without rear speakers.
<b>OFF</b>	Select this to turn off the surround/DAP/3D-PHONIC modes.

\* You cannot select the 3D-PHONIC modes or the DAP modes in this step.

For the 3D-PHONIC modes: see pages 23 and 24.

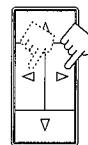
For the DAP modes: see pages 25 and 26.



3. Press ADJUST so that the Control  $\Delta/\nabla/\leftarrow/\rightarrow$  buttons work for adjusting the selected surround mode.

The lamp above the button lights up.

4. Press Control  $\Delta/\nabla$  until "CNT MODE" (Center Mode) appears on the display.



**Note:**

If you have already set the center speaker size following the procedure described on page 15, you do not have to select the center mode in this procedure.

Continued to the next page.

**In this case:**

1. Select "PROLOGIC" or "THEATER."
2. Select "NORMAL" or "WIDE" for center mode.

See pages 28 to 31 for more details.

**In this case:**

1. Select "PROLOGIC" or "THEATER."
2. Select "PHANTOM" for center mode.

See pages 28 to 31 for more details.

**In this case:**

1. Select "3CHLOGIC."
2. Select "NORMAL" or "WIDE" for center mode.

See pages 28 to 31 for more details.

## Activating the Surround Sounds

5. Press Control  $\triangleleft/\triangleright$  to select the center mode.

Each time you press the button, the center modes change as follows:



<b>WIDE</b>	Select this mode when the center speaker can reproduce the bass better than the front speakers. All signals of the center channel are output through the center speaker.
<b>NORMAL</b>	Select this mode when the center speaker cannot reproduce the bass better than the front speakers. The bass portions of the center channel signals are output through the front speakers.
<b>PHANTOM</b>	Select this mode when you do not use a center speaker. The center speaker channel signals are output through the front speakers.

6. Press Control  $\triangleleft/\triangleright$  until “-DELAY +” appears on the display.

7. Press Control  $\triangleleft/\triangleright$  to adjust the delay time of the rear speaker output.

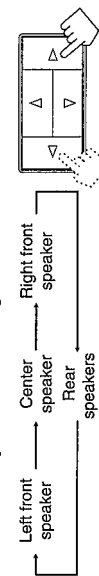
Each time you press the button, the delay time changes as follows:



<b>DELAY 1</b>	Select this when the distance from you to your rear speakers is greater than that to the front speakers.
<b>DELAY 2</b>	Select this when the distance from you to your rear speakers is almost equal to that to the front speakers.
<b>DELAY 3</b>	Select this when the distance from you to your rear speakers is less than that to the front speakers.

8. Press Control  $\triangleleft/\triangleright$  until “TEST” appears on the display, then press Control  $\triangleleft/\triangleright$  to start checking the speaker output balance.

“TEST” starts flashing on the display, and a test tone comes out of the speakers in the following order:



**Note:**  
When you have selected “3CHLOGIC,” you cannot select “PHANTOM.”

**Note:**  
When you have selected “3CHLOGIC” or “THEATER,” you cannot adjust the delay time.

**Notes:**

- No test tone comes out of the rear speakers when you have selected “3CHLOGIC.”
- No test tone comes out of the center speaker when you select “PHANTOM” for the center mode.

9. If necessary, adjust the speaker output balance as follows:

- To adjust the rear speaker output level, press Control  $\triangleleft/\triangleright$  until “-REAR +” appears on the display, then press Control  $\triangleleft/\triangleright$ .
- To adjust the center speaker output level, press Control  $\triangleleft/\triangleright$  until “-CENTER+” appears on the display, then press Control  $\triangleleft/\triangleright$ .

10. Press Control  $\triangleleft/\triangleright$  until “TEST” appears on the display, then press Control  $\triangleleft/\triangleright$  twice to stop the test tone.

If you have selected JVC Theater Surround, go to the following steps.

11. Press Control  $\triangleleft/\triangleright$  until “-EFFECT+” appears on the display.

12. Press Control  $\triangleleft/\triangleright$  to adjust the effect level.

Each time you press the button, the effect level changes as follows:



As the number increases, the effect of the Theater Surround mode becomes stronger.

**From the remote control:**

If you have already set the center speaker size following the procedure described on page 15, you can use the remote control for surround mode preparation.

1. Press SOUND CONTROL so that 10 keys work for adjusting the sound.

2. Press SURROUND until the surround mode you want appears on the display.

The previous mode is recalled (with its previous settings) and is shown on the display.

The indicator for that mode also lights up on the display. Each time you press the button, the surround modes change as follows:



3. Press DELAY to adjust the delay time of the rear speaker output.

Each time you press the button, the delay time changes as follows:



**Notes:**

- The sound levels of the left and right rear speakers will be the same.
- You cannot set the sound level of the rear speakers when you have selected “3CHLOGIC.”
- You cannot set the sound level of the center speaker when you select “PHANTOM” for the center mode.

**Note:**

When you have selected “PROLOGIC” or “3CHLOGIC,” you cannot select the effect level.

**Note:**

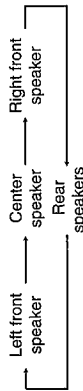
When you have selected “3CHLOGIC” or “THEATER,” you cannot adjust the delay time.

Continued to the next page.

### Activating the Surround Sounds

4. Press **TEST** to start checking the speaker output balance.

"TEST" starts flashing on the display, and a test tone comes out of the speakers in the following order:



5. If necessary, adjust the speaker output balance as follows:

- To adjust the rear speaker output level, press **REAR +/-**.
- To adjust the center speaker output level, press **CENTER +/-**.

Pressing - decreases the output level up to -10 dB.  
Pressing + increases the output level up to +10 dB.

6. Press **TEST** again to stop the test tone.

If you have selected JVC Theater Surround, go to the following steps.

7. Press **EFFECT** to adjust the effect level.

Each time you press the button, the effect level changes as follows:



As the number increases, the effect of the Theater Surround mode becomes stronger.



#### Notes:

- No test tone comes out of the rear speakers when you have selected "3CHLOGIC."
- No test tone comes out of the center speaker when you select "PHANTOM" for the center mode.

#### Notes:

- The sound levels of the left and right rear speakers will be the same.
- You cannot set the sound level of the rear speakers when you have selected "3CHLOGIC."
- You cannot set the sound level of the center speaker when you select "PHANTOM" for the center mode.

#### Note:

When you have selected "PROLOGIC" or "3CHLOGIC," you cannot select the effect level.

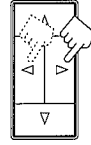
#### Using Surround Modes

Once you have adjusted the surround mode, you can use the same adjustments every time you want to enjoy Surround Modes.

From the front panel:

1. Press **SURROUND** so that the **Control Δ / ▽** buttons work for selecting the surround/DAP/3D-PHONIC modes.

The lamp above the button lights up.



2. Press **Control Δ / ▽** to select one of the surround mode ("PRO LOGIC," "3CH LOGIC," or "THEATER").

Each time you press the button, the surround/DAP/3D-PHONIC modes change as follows:



\* As for the 3D-PHONIC modes (see page 23) and the DAP modes (see page 25), one of the previously selected mode appears on the display.

3. Select and play a sound source which was processed with Dolby Surround and is labeled with **DOOLBY SURROUND** mark.

To cancel sur\_ round mode\_ Select "OFF" in step 2 above.

From the remote control:

1. Press **SOUND CONTROL** so that **10** keys work for adjusting the sound.



2. Press **SURROUND** until the mode you want appears on the display.

The previous mode is recalled at first (with its previous settings) and is shown on the display. The indicator for that mode also lights up on the display. Each time you press the button, the surround modes change as follows:



3. Select and play a sound source which was processed with Dolby Surround and is labeled with **DOOLBY SURROUND** mark.

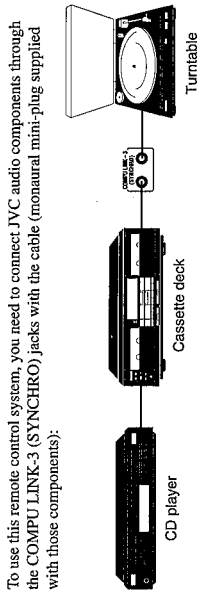
To cancel sur\_ round mode\_ Select "OFF" in step 2 above.

#### Note:

When one of the surround modes is selected, the corresponding indicator lights up on the display.

## COMPU LINK Remote Control System

The COMPU LINK remote control system allows you to operate JVC audio components through the remote sensor on the receiver.



This remote control system allows you to use the four functions listed below.

- Remote Control of the Remote Sensor on the Receiver**  
 You can control JVC audio components through the remote sensor on the receiver using this remote control. Aim the remote control directly at the remote sensor on the receiver. For details, see page 34.
- Automatic Source Selection**  
 When you press the play (▶) button on a connected component or on its own remote control, the receiver automatically turns on and changes the source to the component. On the other hand, if you select a new source on the receiver or the remote control, the selected component begins playing immediately.
- In both cases, the previously selected source continues playing without sound for a few seconds.

**Automatic Power On/Off** (only possible with the COMPU LINK-3 connection)

Both the CD player and cassette deck turn on and off with the receiver. When you turn on the receiver, the CD player or cassette deck will turn on automatically, depending on which component has been previously selected. When you turn off the receiver, both the CD player and cassette deck will turn off.

**Synchronized Recording**  
 Synchronized recording means the cassette deck starts recording as soon as a CD (or a record) begins playing.

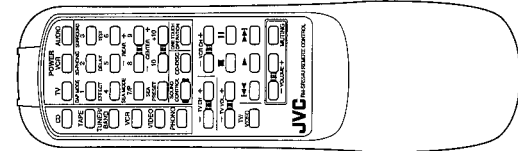
- To use synchronized recording, follow these steps:
- Put a tape in the cassette deck, and a disc in the CD player (or a record on the turntable).
  - Press the record (●) button and the pause (⏸) button on the cassette deck at the same time. This puts the cassette deck into recording pause. If you do not press the record (●) button and pause (⏸) button at the same time, the synchronized recording will not start.
  - Press the play (▶) button on the CD player (or on the turntable). The source changes on the receiver, and as soon as play starts, the cassette deck starts recording. When the play ends, the cassette deck enters recording pause, and stops about 4 seconds later.

## Operating Other Components

You can operate JVC audio and video components with this receiver's remote control. To operate these components with the remote control, first select a source with the source buttons on the remote control. Then, operate that source using the remote control.

### IMPORTANT:

- To operate JVC audio components using this remote control:
  - You need to connect JVC audio components through the COMPU LINK-3 (SYNCHRO) jacks (see page 33) in addition to the connections using cables with RCA pin plugs (see page 8).
  - Aim the remote control directly at the remote sensor on the receiver.



- After pressing CD, you can perform the following operations on the CD player:**
  - Starts playing.
  - Returns to the beginning of the current (or previous) track.
  - Skips to the beginning of the next track.
  - Stops playing.
  - Pauses. To resume playing, press ▶.
  - Selects a track number directly. For track number 5, press 5. For track number 15, press +10, then 5. For track number 20, press +10, then 10. For track number 30, press +10, +10, then 10.

- After pressing CD-DISC, you can perform the following operations on the CD changer:**
  - Select the number of a disc installed in a CD changer.
  - Then continue to operate the CD player as described above.
  - For example: To find a track number 11 of disc 4
    - Press CD DISC.
    - Press 4.
    - Press CD.
    - Press +10, then 1.

- After pressing TAPE, you can perform the following operations on the cassette deck:**
  - Starts playback.
  - Fast winds a tape from right to left.
  - Fast winds a tape from left to right.
  - Stops operation.
  - Pauses. To resume playing, press ▶.

- Notes:**
- During synchronized recording the selected source cannot be changed.
  - If your CD player is playing in program mode, a 4-second blank is recorded between tracks so that the music scan feature of your cassette deck can be used on the recorded tape.
  - If the power of any component is shut off during synchronized recording, the COMPU LINK remote control system may not operate properly. In this case, you must start again from the beginning.

**Note:**  
 If you choose a source on the front panel, the remote control will not operate that source.

**Note:**  
 If you press SOUND CONTROL, you cannot operate the cassette deck with this remote control. If this happens, press TAPE again, so operating buttons for audio components will work for the cassette deck.

## Operating Other Components

### IMPORTANT:

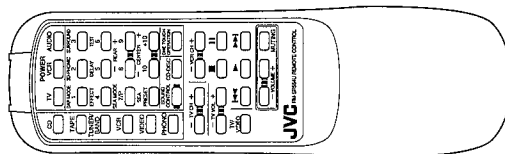
To operate JVC video components using this remote control:

- Aim the remote control directly at the remote sensor on the VCR or TV, not on the receiver.

- After pressing VCR, you can perform the following operations on the VCR:
  - ▶ Starts playback.
  - ◀◀ Rewinds a video tape.
  - ▶▶ Fast winds a video tape.
  - Stops operation.
  - || Pauses. To resume playing, press ▶.

You can always do the following on the VCR:

- Change the channels on the VCR using the VCR CH +/- button.
- Turn on and off the VCR by pressing VCR in the POWER section.



**Note:**  
If you choose a source on the front panel, the remote control will not operate that source.

- Notes:**
- If you press SOUND CONTROL, you cannot operate the VCR with this remote control. If this happens, press the VCR again, so operating buttons for video components will work for the VCR.
  - If you press the VCR (the one of the source selection) on the remote control aiming at the JVC TV, the TV's input mode will change to the video input.

## Troubleshooting

Use this chart to help you solve daily operational problems. If there is any problem you cannot solve, contact your JVC service center.

PROBLEM	POSSIBLE CAUSE	SOLUTION
The display does not light up.	The power cord is not plugged in.	Plug the power cord into an AC outlet.
No sound from speakers.	Speaker signal cables are not connected.	Check speaker wiring and reconnect if necessary.
	The SPEAKERS 1 and 2 buttons are not set correctly.	Press SPEAKERS 1 and 2 to set it in the <b>ON</b> position.
	An incorrect source is selected.	Select the correct source.
"OVERLOAD" starts flashing on the display.	Speakers are over-loaded because of high volume.	Rotate the MASTER VOLUME control counterclockwise three or four times then press POWER on the front panel. If "OVERLOAD" does not disappear, unplug the AC power cord, then plug it back again. Do not use the remote control when "OVERLOAD" is shown on the display.
	Speakers are over-loaded because of short circuit of speaker terminals	Press POWER on the front panel then check the speaker wiring. If "OVERLOAD" does not disappear, unplug the AC power cord, then plug it back again. Do not use the remote control when "OVERLOAD" is shown on the display. If speaker wiring is not short circuited, contact your dealer.
Sound from one speaker only.	Speaker signal cables are not connected properly.	Check speaker wiring and reconnect if necessary.
	The balance is set to one extreme.	Adjust the balance property (see page 14).
Continuous hiss or buzzing during FM reception.	Incoming signal is too weak.	Connect an outside FM antenna or contact your dealer.
	The station is too far away.	Select a new station.
	An incorrect antenna is used.	Check with your dealer to be sure you have the correct antenna.
	Antennas are not connected properly.	Check connections.
Occasional cracking noise during FM reception.	Ignition noise from automobiles.	Move the antenna further from automobile traffic.
Howling during record playing.	Your turntable is too close to speakers.	Move speakers away from the turntable.
Remote control does not work.	There is an obstruction in front of the remote sensor on the receiver.	Remove the obstruction.
	Batteries are weak.	Replace batteries.

# Specifications

**Output Power** At Stereo operation *100 watts per channel, min. RMS, driven into 8 ohms, 40 Hz to 20 kHz with no more than 0.8 % total harmonic distortion.*

## Amplifier

**Output Power**..... At Surround operation  
 Front channels ..... 100 watts per channel, min. RMS, driven into 8 ohms at 1 kHz, with no more than 0.8 % total harmonic distortion.  
 Center channel ..... 100 watts, min. RMS, driven into 8 ohms at 1 kHz, with no more than 0.8 % total harmonic distortion.  
 Rear channel ..... 100 watts, min. RMS, driven into 8 ohms at 1 kHz, with no more than 0.8 % total harmonic distortion.  
**Total Harmonic Distortion** (8 ohms, 1 kHz) ..... 0.8 %\* at 100 watts output  
 (\* Measured by JVC Audio Analysis System)

**Frequency Response** (8 ohms)..... PHONO (MM) ..... 20 Hz to 20 kHz (±1 dB)  
 CD, TAPE, VIDEO, VCR ..... 20 Hz to 20 kHz (±1 dB)

**Audio Input Sensitivity/Impedance** (1 kHz)..... PHONO ..... 2.7 mV/47 k ohms  
 CD, TAPE, VIDEO, VCR ..... 220 mV/47 k ohms

**Audio Output Level**..... TAPE, VCR ..... 220 mV

**Signal-to-Noise Ratio** (66 IHF/78 IHF)..... PHONO ..... 70 dB/78 dB  
 CD, TAPE, VIDEO, VCR ..... 87 dB/80 dB

**Loudness control** (Volume Control at -40 dB) ..... +5 ±2 dB at 100 Hz

**Video Input Sensitivity/Impedance** ..... VCR, VIDEO ..... 1 Vp-p/75 ohms

**Video Output Level** ..... VCR, MONITOR OUT ..... 1 Vp-p (at 1 Vp-p input), sync negative

**Signal-to-Noise Ratio** ..... 45 dB

## FM Tuner (IHF)

**Tuning Range** ..... 87.5 MHz to 108.0 MHz  
**Usable Sensitivity** ..... 10.8 dBf (0.95 µV/75 ohms)  
**50 dB Quieting Sensitivity** ..... Monaural ..... 16.3 dBf (1.8 µV/75 ohms)  
 Stereo ..... 38.3 dBf (22.5 µV/75 ohms)  
**Signal-to-Noise Ratio** (IHF-A weighted) ..... Monaural ..... 80 dB at 85 dBf  
 Stereo ..... 73 dB at 85 dBf  
**Total Harmonic Distortion** ..... Monaural ..... 0.15 % at 1 kHz  
 Stereo ..... 0.2 % at 1 kHz  
**Stereo Separation at REC OUT** ..... 40 dB at 1 kHz  
**Capture Ratio** ..... 1.5 dB (10 mV)  
**Alternate Channel Selectivity** ..... 60 dB (±400 kHz)  
**Frequency Response** ..... 30 Hz to 15 kHz: (+0.5 dB, -3 dB)

## AM Tuner

**Tuning Range** ..... 530 kHz to 1,710 kHz  
**Usable Sensitivity** ..... Loop antenna ..... 300 µV/m  
 External antenna ..... 30 µV

**Signal-to-Noise Ratio** ..... 50 dB (100 mV/m)

## General

**Power Requirements** ..... AC 120 V<sup>o</sup>, 60 Hz  
**Power Consumption** ..... 270 watts/360 VA  
 5 watts (in standby mode)  
**Dimensions** (W x H x D) ..... 17 7/8 x 5 3/4 x 15 7/8 inches  
 (455 x 146 x 403 mm)  
**Mass** ..... 18.8 lbs. (8.5 kg)

Design & specifications are subject to change without notice.





QUALITY SERVICE

### HOW TO LOCATE YOUR JVC SERVICE CENTER

**TOLL FREE : 1-800-537-5722**

Dear customer:  
In order to receive the most satisfaction from your purchase, read the instruction booklet before operating the unit. In the event that repair is necessary, or for the address nearest your location, please refer to the factory service center or list below within the Continental United States. Call 1-800-537-5722 for your authorized servicer. Remember to retain your Bill of Sale for Warranty Service.

—JVC

#### JVC SERVICE & ENGINEERING COMPANY OF AMERICA DIVISION OF US JVC CORP.

##### FACTORY SERVICE CENTER LOCATIONS

107 Little Falls Road  
Fairfield, NJ 07004-2105  
(201) 808-9279

5665 Corporate Avenue  
Cypress, CA 90630-0024  
(714) 228-8011

230 Eliot Street  
Ashland, MA 01742-2377  
(508) 881-5923

1500 Lakes Parkway  
Lawrenceville, GA 30243-5357  
(404) 339-2522

2869 Mapunapuna Place  
Honolulu, HI 96819-2040  
(808) 833-5828

14505 Commerce Way  
Miami Lakes, FL 33016-1512  
(305) 362-8252

705 Enterprise Street  
Aurora, IL 60504-5149  
(708) 851-7855

10700 Hammerly, Suite 110  
Houston, TX 77043  
(713) 935-9331

890 Dubuque Avenue  
South San Francisco, CA 94080-1804  
(415) 871-2666

Sophisticated electronic products may require occasional service. Just as quality is a keyword in the engineering and production of the wide array of JVC products, service is the key to maintaining the high level of performance for which JVC is world famous. The JVC service and engineering organization stands behind our products.

JVC SERVICE & ENGINEERING COMPANY OF AMERICA  
DIVISION OF US JVC CORP.  
107 Little Falls Road  
Fairfield, NJ 07004-2105

#### If you ship the product . . .

Pack your JVC unit in the original carton or one of equivalent size and strength. Enclose, with the unit, a letter stating the problem or symptom that exists and also a copy of the receipt or bill of sale you received when you purchased your JVC unit. Print your home return address on the outside and the inside of the carton. Send to the appropriate JVC Factory Service Center as listed above.

#### Don't service it yourself.

##### CAUTION

To prevent electrical shock, do not open the cabinet. No user serviceable parts inside.  
Refer servicing to qualified service personnel.

#### ACCESSORIES

To purchase accessories for your JVC product, you may contact your local JVC Dealer. Or from the 48 Continental United States call toll free : 800-882-2345

(0694)



### LIMITED WARRANTY AUDIO-2

JVC COMPANY OF AMERICA warrants this product and all parts thereof, except as set forth below ONLY TO THE ORIGINAL PURCHASER AT RETAIL TO BE FREE FROM DEFECTIVE MATERIAL AND WORKMANSHIP from the date of original retail purchase for the period as shown below. (The Warranty Period.)

PARTS	2 YRS	LABOR	2 YRS
-------	-------	-------	-------

THIS LIMITED WARRANTY IS VALID ONLY IN THE FIFTY(50) UNITED STATES, THE DISTRICT OF COLUMBIA AND IN COMMONWEALTH OF PUERTO RICO.

#### WHAT WE WILL DO:

If this product is found to be defective, JVC will repair or replace defective parts at no charge to the original owner. Such repair and replacement services shall be rendered by JVC during normal business hours at JVC authorized service centers. Parts used for replacement are warranted only for the remainder of the Warranty Period. All products and parts thereof may be brought to a JVC authorized service center on a carry-in basis except for television sets having a screen size 25 inches and above which are covered on an in-home basis.

#### WHAT YOU MUST DO FOR WARRANTY SERVICE:

Return your product to a JVC authorized service center with a copy of your bill of sale. For your nearest JVC authorized service center, please call toll free: (800)537-5722. If service is not available locally, box the product carefully, preferably in the original carton, and ship, insured, with a copy of your bill of sale plus and letter of explanation of the problem to the nearest JVC Factory Service Center, the name and location of which will be given to you by the toll-free number. If you have any questions concerning your JVC Product, please contact our Customer Relations Department.

#### WHAT IS NOT COVERED:

This warranty is provided by JVC does not cover:

- Products which have been subject to accident, alteration, modification, tampering, negligence, misuse, faulty installation, lack of reasonable care, or if repaired or serviced by anyone other than a JVC authorized service center; or if rendered such service, or if affixed to any attachment not provided with the products, or if the model or serial number has been altered, tampered with, detached or removed;
- Initial installation and installation and removal for repair;
- Operational adjustments covered in the Owner's Manual, normal maintenance, video and audio head cleaning;
- Damage that occurs in shipment, due to act of God, and cosmetic damage;
- Signal reception problems and failures due to line power surges;
- Video Pick-up Tubes/CCD Image Sensor, Cartridge, Stylus(Needle) are covered for 90 days from the date of purchase;
- Accessories;
- Batteries (except the Rechargeable Batteries are covered for 90 days from the date of purchase);

There are no express warranties except as listed above.

THE DURATION OF ANY IMPLIED WARRANTIES, INCLUDING THE IMPLIED WARRANTY OF MERCHANTABILITY, IS LIMITED TO THE DURATION OF THE EXPRESS WARRANTY HEREIN.

JVC SHALL NOT BE LIABLE FOR THE LOSS OF USE, THE PRODUCT, INCONVENIENCE, LOSS OR ANY OTHER DAMAGES, WHETHER DIRECT, INCIDENTAL OR CONSEQUENTIAL (INCLUDING, WITHOUT LIMITATION, DAMAGE TO TAPES, RECORDS OR DISCS) RESULTING FROM THE USE OF THIS PRODUCT, OR ARISING OUT OF ANY BREACH OF THIS WARRANTY. ALL EXPRESS AND IMPLIED WARRANTIES, INCLUDING THE WARRANTIES OF MERCHANTABILITY AND FITNESS FOR PARTICULAR PURPOSE, ARE LIMITED TO THE WARRANTY PERIOD SET FORTH ABOVE.

Some states do not allow the exclusion of incidental or consequential damages or limitations on how long an implied warranty last, so these limitations or exclusions may not apply to you. This warranty gives you specific legal rights and you may also have other rights which vary from state to state.

JVC COMPANY OF AMERICA  
DIVISION OF US JVC CORP.  
41 Slater Drive  
Elmwood Park, New Jersey 07407

REFURBISHED PRODUCTS CARRY A SEPARATE WARRANTY. THIS WARRANTY DOES NOT APPLY. FOR DETAILS OF REFURBISHED PRODUCT WARRANTY, PLEASE REFER TO THE REFURBISHED PRODUCT WARRANTY INFORMATION PACKAGED WITH EACH REFURBISHED PRODUCT.

For customer use:

Enter below the Model No. and Serial No. which is located either on the rear, bottom or side of the cabinet. Retain this information for future reference.

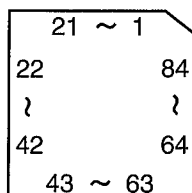
Model No.: \_\_\_\_\_ Serial No.: \_\_\_\_\_  
Purchase date: \_\_\_\_\_ Name of dealer: \_\_\_\_\_

**-MEMO-**

## Description of major ICs

### ■MN173222JABN1(IC401):System Control Micon

#### 1. Terminal Layout



#### 2. Key Matrix

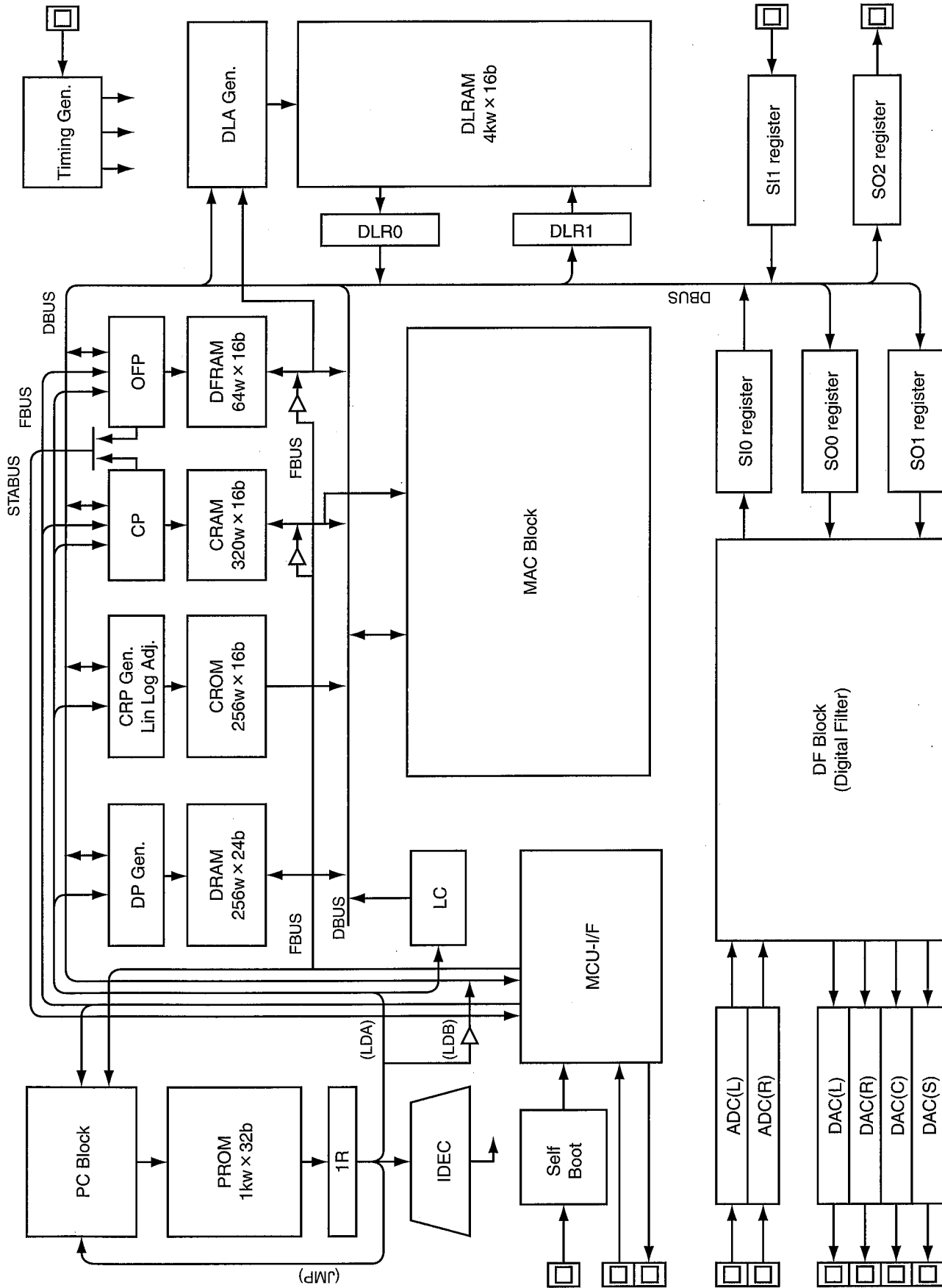
	KEY IN 0	KEY IN 1	KEY IN 2	KEY IN 3
KEY OUT 0	POWER S401	—	—	—
KEY OUT 1	SURROUND S402	PRESET SEA S403	TUNER/BAND S404	SETTING S405
KEY OUT 2	SOURCE S406	ADJUST S407	ONE TOUCH OPERATION S408	MEMORY S409
KEY OUT 3	◁S410	▷S411	△S412	▽S413

#### 3. Pin Function

Pin No.	Symbol	I/O	Function	Pin No.	Symbol	I/O	Function
1	IN1	I	JOG VOLUME control	52	CE	O	Chip enable to IC121
2	IN2	I	JOG VOLUME control	53	CK	O	Clock signal to IC121
3	VIDEO1	O	Video select signal	54	DI	I	Data signal from IC121
4	VIDEO2	O	Video select signal	55	DO	O	Data signal to IC121
5	PROTECT	I	Protector signal input	56	DCSI	I	COMPULINK signal input
6	POWER	O	Power ON/OFF control	57	DCSO	O	COMPULINK signal output
7	KI0	I	Key matrix input	58	DSP ERR	I	Error flag input
8	KI1	I	Key matrix input	59	DSP IFOK	I	Operation flag input
9	KI2	I	Key matrix input	60	DSP ACK	I	Acknowledge signal input
10	KI3	I	Key matrix input	61	DSP CS	O	Chip select signal output
11	VCR S/C	I	VCR S/C select signal input	62	T.MUTE	O	Tuner mute signal output
12	G11	O	Grid control signal output	63	S.MUTE	O	Source muting control
13	G10	O	Grid control signal output	64	TV CONT	-	Pull down
14	G9	O	Grid control signal output	65	TV OUT	-	Pull down
15	G8	O	Grid control & Key matrix output	66	VCR OUT	-	Pull down
16	G7	O	Grid control & Key matrix output	67	VCR IN	-	Pull down
17	G6	O	Grid control & Key matrix output	68	RESET IN	I	Reset signal input
18	G5	O	Grid control & Key matrix output	69	X1	-	Connect to GND
19	G4	O	Grid control signal output	70	X2	-	Non connect
20	G3	O	Grid control & Key matrix output	71	Vss	-	Connect to GND
21	G2	O	Grid control & Key matrix output	72	OSC2	-	Oscillation terminal
22	G1/KO7	O	Grid control & Key matrix output	73	OSC1	-	Oscillation terminal
23	Vpp	-	Power supply for FL display	74	VDD	-	Power supply
24~39	S1~S16	O	Segment control signal output	75	SET.I	O	SETTING indication control
40	DVD S/C	I	DVD S/C select signal input	76	ADJ.I	O	ADJUST indication control
41	CLK.D	O	Clock signal to IC601	77	SURR.I	O	SURROUND indication control
42	DATA OUT	O	Data signal to IC601	78	SOURCE.I	O	SOURCE indication control
43	DATA IN	I	Data signal from IC601	79	SEA.I	O	S.E.A. indication control
44	INH	I	Inhibit signal input	80	BAND.I	O	TUNER/BAND indication control
45	RDS CLK	O	Non connect	81	STB	O	Strobe signal to IC341~343.252.321.322
46	RDS DATA	I	Non connect	82	DATA	O	Data signal to IC341~343.252.321.322.404
47	RDSRESET	O	Non connect				
48	RM	I	Remocon signal from IC402	83	CLK	O	Clock signal to IC341~343.252.321.322.404
49	D-START	I	Non connect				
50	STEREO	I	Stereo signal input				
51	TUNED	I	Tuning signal input	84	STB(EX)	O	Strobe signal to IC404

■ TC9471F(IC601):Dolby Prologic

1. Block Diagram



## 2-a.Pin Function

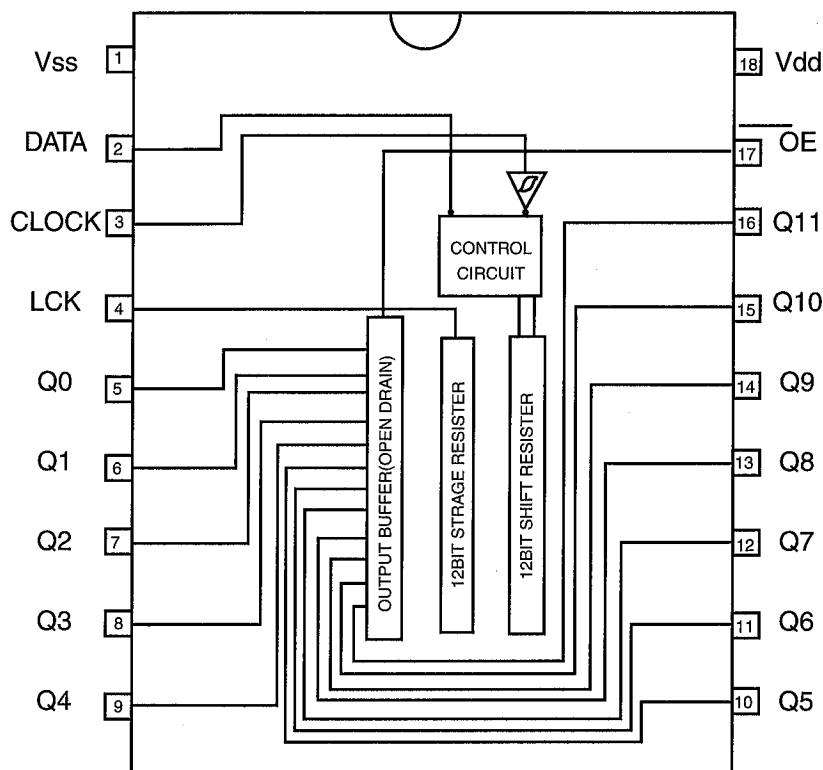
Pin No.	Symbol	I/O	Function
1	ECKO	O	Amplifier output terminal for external clock input.
2	ECKI	I	Amplifier input terminal for external clock input.
3	GNDX	-	Ground terminal.(For crystal oscillator circuit)
4	GNDAL	-	Ground terminal.(For DAC L channel)
5	AOL	O	DAC analog signal output terminal.(L channel)
6	VRL	-	Reference voltage terminal.(For DAC L channel)
7	VDAL	-	Power supply terminal.(For DAC L channel)
8	VDAR	-	Power supply terminal.(For DAC R channel)
9	VRR	-	Reference voltage terminal.(For DAC R channel)
10	AOR	O	DAC analog signal output terminal.(R channel)
11	GNDAR	-	Ground terminal.(For DAC R channel)
12	GNDAC	-	Ground terminal.(For DAC C channel)
13	AOC	O	DAC analog signal output terminal.(C channel)
14	AOCT	O	DAC analog signal output terminal with attenuator.(For C channel)
15	VRC	-	Reference voltage terminal.(For DAC C channel)
16	VDAC	-	Power supply terminal.(For DAC C channel)
17	VRO	O	Reference voltage terminal for attenuator.(Output buffer)
18	VRI	I	Reference voltage terminal for attenuator.(Input buffer)
19	VDAS	-	Power supply terminal.(For DAC S channel)
20	VRS	-	Reference voltage terminal.(For DAC S channel)
21	AOST	O	DAC analog signal output terminal with attenuator.(For S channel)
22	AOS	O	DAC analog signal output terminal.(S channel)
23	GNDAS	-	Ground terminal.(For DAC S channel)
24	GND	-	Ground terminal.
25~29	TP0~4	O	Test data output terminal, normally open.
30	VDD	-	Power supply terminal.
31	VDDR	-	Power supply terminal.(For DLRAM)
32	GNDR	-	Ground terminal.(For DLRAM)
33~40	TP5~12	O	Test data output terminal, normally open.
41	FS	O	Clock output terminal.(1fs)
42	CKO0	O	Clock output terminal 0.
43	CKO1	O	Clock output terminal 1.
44	GND	-	Ground terminal.
45	TP13	O	Test data output terminal, normally open.
46	MCK	O	Master clock output terminal.(256fs/512fs/(384/768fs))
47	VDD	-	Power supply terminal.
48~53	TP14~19	O	Test data output terminal, normally open.
54	CKS	I	Master clock select terminal.
55	STEP0	I	Operation step select terminal 0.
56	STEP1	I	Operation step select terminal 1.
57	RST	I	Reset signal input terminal.

## 2-b.Pin Function

Pin No.	Symbol	I/O	Function
58	VDD	-	Power supply terminal
59	SYNC	I	Synchronous signal input terminal.
60	ELRO	I	LR clock input terminal for serial data output.
61	ELRI	I	LR clock input terminal for serial data input.
62	EBCO	I	Bit clock input terminal for serial data output.
63	EBCI	I	Bit clock input terminal for serial data input.
64	DIN	I	Serial data input terminal.
65	DOUT	O	Serial data output terminal.
66	EM0	I	De-emphasis select terminal 0.
67	EM1	I	De-emphasis select terminal 1.
68	IFF0	I	Interface flag terminal 0.
69	IFF1	I	Interface flag terminal 1.
70	IFF2	I	Interface flag terminal 2.
71	GND	-	Ground terminal.
72	CS	I	Chip select signal input terminal.(MCU interface)
73	IFCK	I	Data sift clock input terminal.(MCU interface)
74	IFDI	I/O	Data input terminal.(MCU interface) At the IC bus mode,data input /output terminal.
75	IFDO	O	Data output terminal.(MCU interface) At the IC bus mode,normally open.
76	IFOK	O	Operation flag output terminal.(MCU interface)
77	ACK	O	Acknowledge signal output terminal.(MCU interface)
78	ERR	O	Error flag output terminal.(MCU interface)
79	I2CS	I	IC bus mode select terminal.
80	BOOT	I	Self-boot control terminal.
81	BA0	I	Boot address select terminal 0.
82	BA1	I	Boot address select terminal 1.
83	VDD	-	Power supply terminal.
84~87	TST0~3	I	Test data input terminal,normally fixed"L"level
88	GND	-	Ground terminal.
89	VSAL	-	Analog ground terminal.(For ADC L channel)
90	LIN	I	ADC analog signal input terminal.(L channel)
91	AVRL	-	Reference voltage terminal.(For ADC L channel)
92	VDL	-	Analog power supply terminal.(For ADC L channel)
93	VDR	-	Analog power supply terminal.(For ADC R channel)
94	AVRR	-	Reference voltage terminal.(For ADC R channel)
95	RIN	I	ADC analog signal input terminal.(R channel)
96	VSAR	-	Analog ground terminal.(For ADC R channel)
97	GNDX	-	Ground terminal.(For crystal oscillator circuit)
98	XI	I	Crystal oscillator connection terminal.(input)
99	XO	O	Crystal oscillator connection terminal.(output)
100	VDX	-	Power supply terminal.(For crystal oscillator circuit)

■BU2092(IC404):PORT EXPANDER

1.Terminal Layout

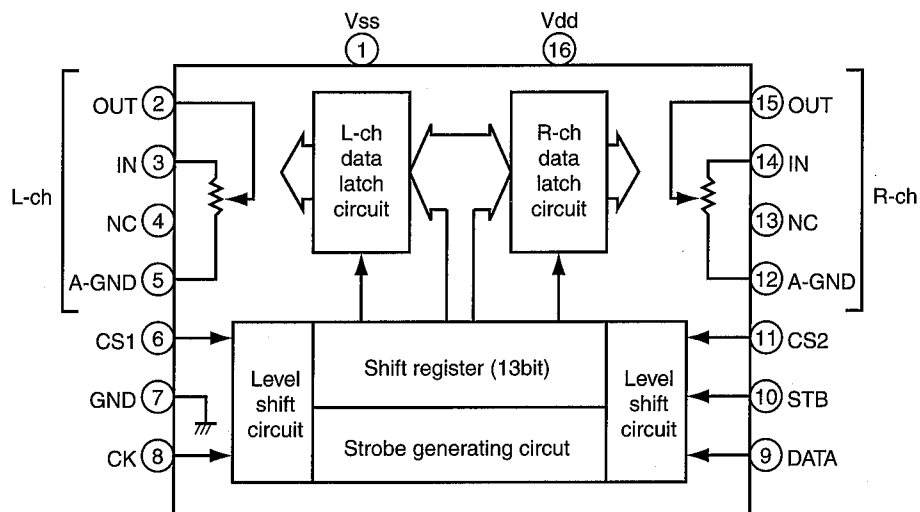


2.Pin Function

Pin No.	Symbol	I/O	Function						
1	Vss	-	Connect to GND						
2	DATA	I	Serial Data input						
3	CLOCK	I	Shift Clock of Data						
4	LCK	I	Latch Clock of Data						
5~16	Q0~Q11	O	Parallel Data Output <table border="1" style="margin-left: 20px;"> <tr> <td>Latch Data</td> <td>L</td> <td>H</td> </tr> <tr> <td>OUTPUT</td> <td>ON</td> <td>OFF</td> </tr> </table>	Latch Data	L	H	OUTPUT	ON	OFF
Latch Data	L	H							
OUTPUT	ON	OFF							
17	$\overline{OE}$	I	Output Enable						
18	Vdd	-	Power Supply						

## TC9413AP(IC343,IC342):Rear/Center/Sub.W Volume Control

### 1. Block Diagram



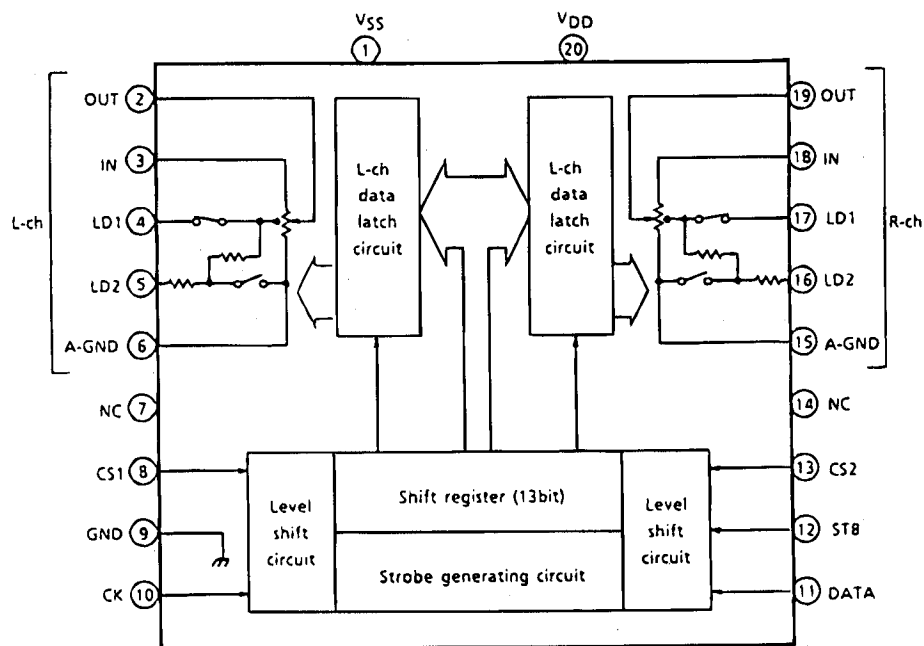
### 2. Description

Pin No.	Symbol	I/O	Function
1	Vss	-	Negative Power supply
2	L-OUT	O	L-ch Volume output
3	L-IN	I	L-ch Volume input
4	NC	-	Non connect
5	L-A-GND	-	Analog GND
6	CS1	I	Chip select input
7	GND	-	Digital GND
8	CK	I	Data transfer clock input
9	DATA	I	Volume setup serial data input
10	STB	I	Data write strobe input
11	CS2	I	Chip select input
12	R-A-GND	-	Analog GND
13	NC	-	Non connect
14	R-IN	I	R-ch Volume input
15	R-OUT	O	R-ch Volume output
16	Vdd	-	Positive power supply



## ■ TC9412AP(IC341):Main Volume Control

### 1. Block Diagram



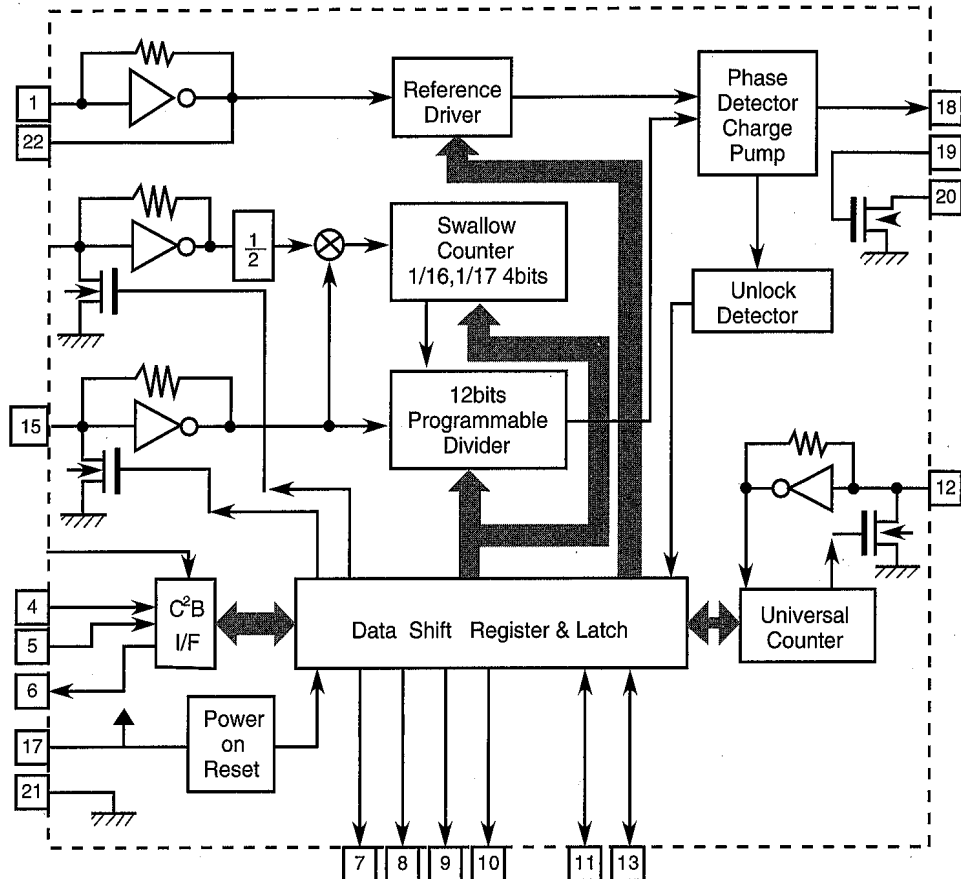
### 2. Description

Pin No.	Synbol	I/O	Function
1	Vss	-	Negative Power supply
2	L-OUT	O	L-ch Volume output
3	L-IN	I	L-ch Volume input
4	L-LD1	O	Loudness tap output pin
5	L-LD2	O	Loudness tap output pin
6	L-A-GND	-	Analog GND pin
7	NC	-	Non connect
8	CS1	I	Chip select input pin
9	GND	-	Digital GND pin
10	CK	I	Clock input pin
11	DATA	I	Data input pin
12	STB	I	Strobe input pin
13	CS2	I	Chip select input pin
14	NC	-	Non connect
15	R-A-GND	-	Analog GND pin
16	R-LD2	O	Loudness tap output pin
17	R-LD1	O	Loudness tap output pin
18	R-IN	I	Volume input pin
19	R-OUT	O	Volume output pin
20	VDD	-	Positive power supply pin

### 1. Terminal Layout

XIN	1	22	XOUT
	2	21	VSS
PLLCE	3	20	LPF OUT
PLLDA	4	19	LPF IN
PLLCK	5	18	PD
IFDATA	6	17	VDD
FM	7	16	FM OSC
MW	8	15	AM OSC
LW	9	14	
AUTO/MONO	10	13	IF REQ
POWER	11	12	FM/AM IF

### 2. Block Diagram

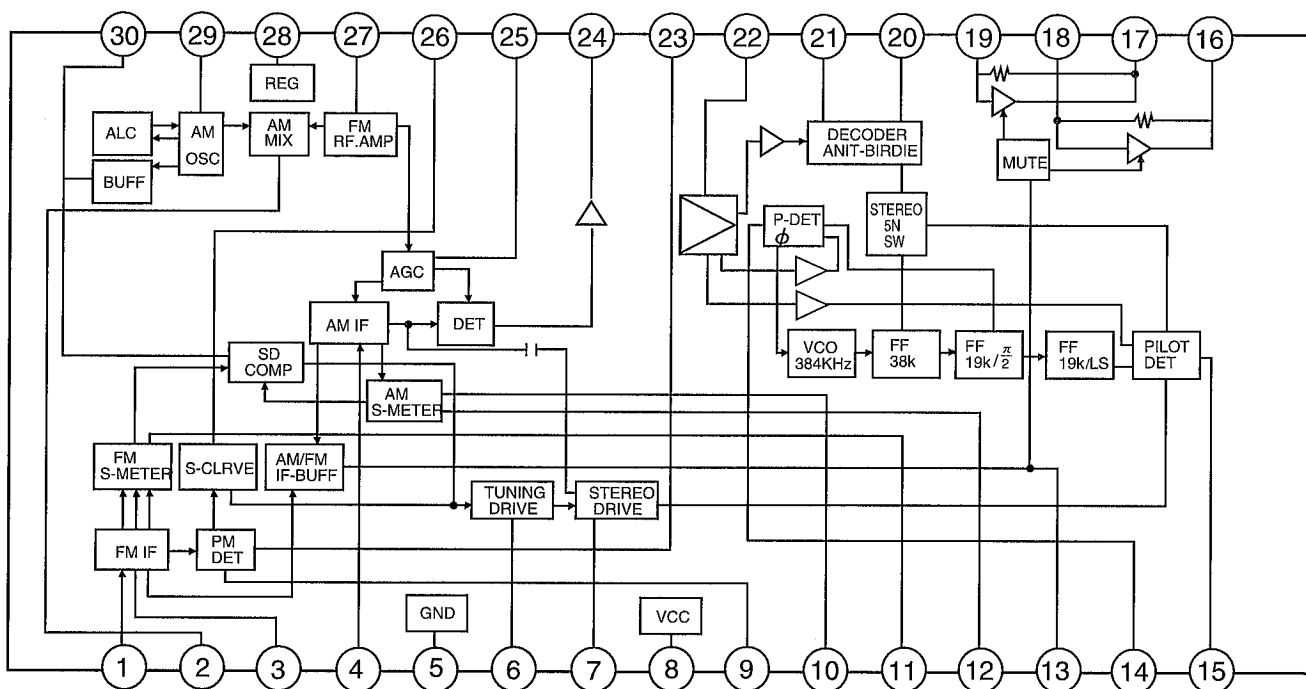


### 3. Pin Functions

Pin No.	Symbol	I/O	Functions	Pin No.	Symbol	I/O	Functions
1	Xin	I	Crystal oscillator (7.2MHz).	12	FM/AM IF	I	Universal counter input
2		--	Not use	13	IF REQ	O	Output the "IF-signal request" to IC102
3	PLLCE	I	Fix the chip enable to "H" when inputting (DI) and outputting (DO) the serial data	14		I	Not use
4	PLLDA	I	Receive the control data from the controller (IC801).	15	AMOSC		Input the local oscillator signal of AM.
5	PLLCK	I	This clock is used to synchronize data when transmitting the data of DI and DO.	16	FM OSC	I	Input the local oscillator signal of FM.
6	IFDATA	O	Transmit the data from LC72131 to the controller which is synchronized with CK.	17	VDD	O	This is a terminal of power supply.
7	FM	O	It is "L" on FM mode.	18	PD	O	PLL charge pump output : When the local oscillator signal frequency is higher than the reference frequency high level signals will output. When it is lower than the reference frequency, low level signals will output. When it is same as reference frequency signals, it will be floating.
8	MW	O	It is "L" on MW mode.	19	LPF IN	I	Transistor used for the PLL active low-pass filter
9	LW	O	It is "L" on LW mode.	20	LPF OUT	O	Transistor used for the PLL active low-pass filter
10	AUTO/MONO	O	It is "L" on monaural, "L" on auto	21	VSS	--	Connected to GND
11	POWER	O	Regulator control signal P ON "H", STANDBY "L"	22	X out	O	Crystal oscillator(7.2MHz).

LA1837(IC102): FM AM IF AMP&detector, FM MPX Decoder

1. Block Diagram

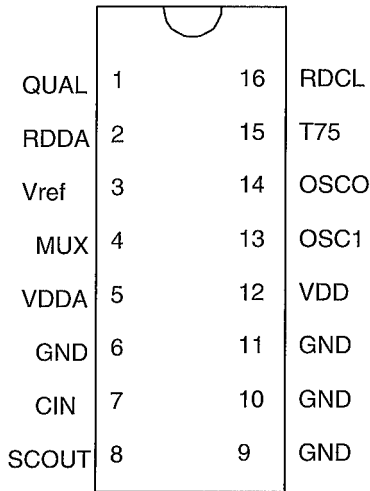


3. Pin Function

Pin No.	Symbol	I/O	Function	Pin No.	Symbol	I/O	Function
1	FM IN	I	This is an input terminal of FM IF signal.	16	L OUT	O	Left channel signal output.
2	AM MIX	O	This is an out put terminal for AM mixer.	17	R OUT	O	Right channel signal output.
3	FM IF	I	Bypass of FM IF	18	L IN	I	Input terminal of the Left channel post AMP.
4	AM IF	I	Input of AM IF Signal.	19	R IN	I	Input terminal of the Right channel post AMP.
5	GND	-	This is the device ground terminal.	20	RO	O	Mpx Right channel signal output.
6	TUNED	O	When the set is tuning,this terminal becomes "L".	21	LO	O	Mpx Left channel signal output.
7	STEREO	O	Stereo indicator output. Stereo "L", Mono: "H"	22	IF IN	I	Mpx input terminal
8	VCC	-	This is the power supply terminal.	23	FM OUT	O	FM detection output.
9	FM DET	-	FM detect transformer.	24	AM DET	O	AM detection output.
10	AM SD	-	This is a terminal of AM ceramic filter.	25	AM AGC	I	This is an AGC voltage input terminal for AM
11	FM VSM	O	Adjust FM SD sensitivity.	26	AFC	-	This is an output terminal of voltage for FM-AFC.
12	AM VSM	O	Adjust AM SD sensitivity.	27	AM RF	I	AM RF signal input.
13	MUTE	I/O	When the signal of IF REQ of IC121( LC72131) appear, the signal of FM/AM IF output. //Muting control input.	28	REG	O	Register value between pin 26 and pin28 desides the frequency width of the input signal.
14	FM/AM	I	Change over the FM/AM input. "H" :FM, "L" : AM	29	AM OSC	-	This is a terminal of AM Local oscillation circuit.
15	MONO/ST	O	Stereo : "H", Mono: "L"	30	OSC BUFFER	O	AM Local oscillation Signal output.

■ SAA6579T(IC192):RDS Detector

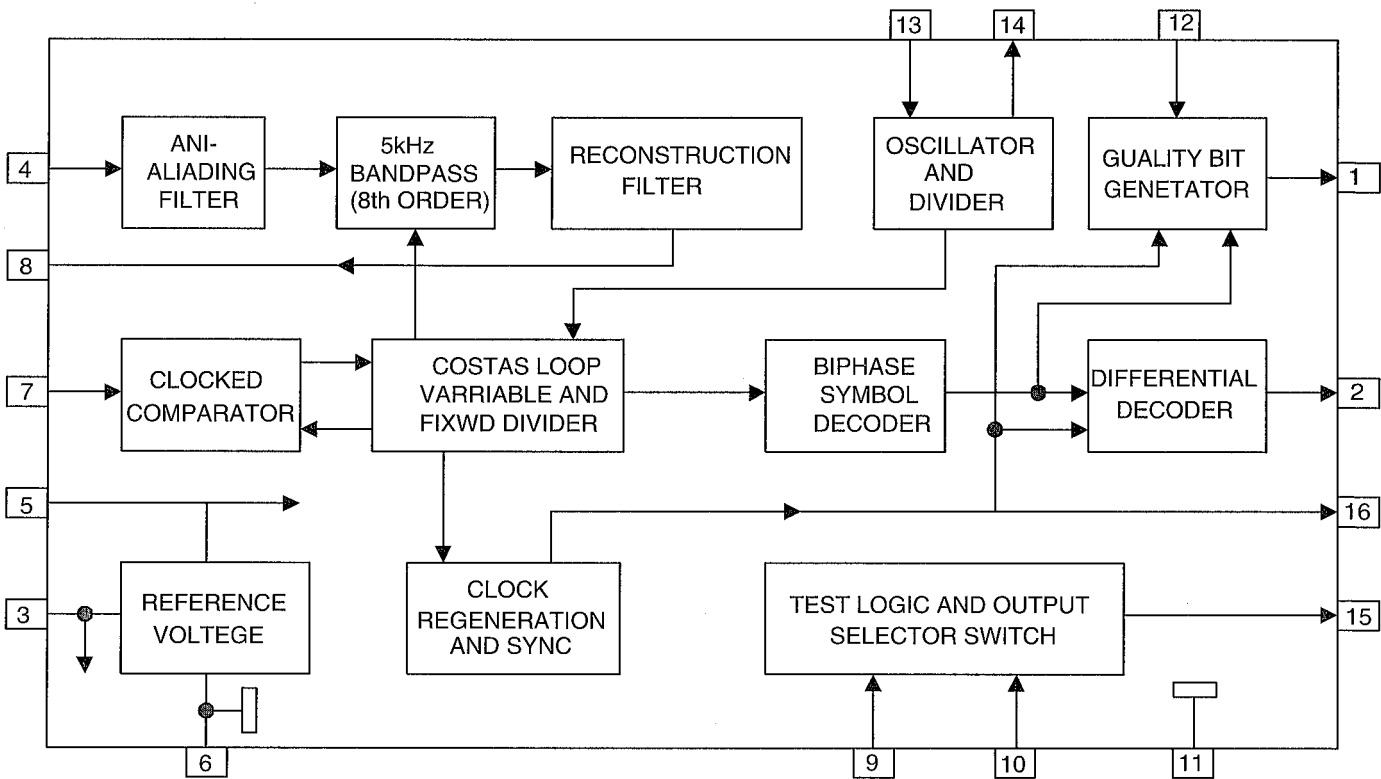
1.Terminal Layout



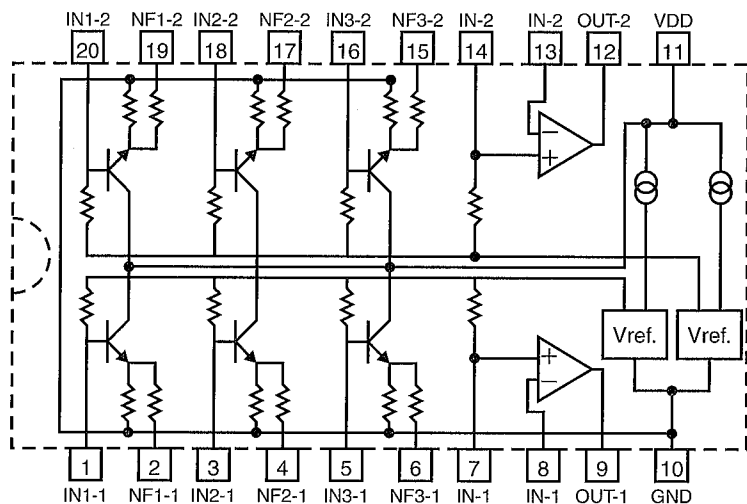
2.Pin Function

Pin No.	Symbol	I/O	Function
1	QUAL	--	Non connection
2	RDDA	O	RDS data output
3	Vref	O	Reference voltage output
4	MUX	I	Multiplex signal input
5	VDDA	--	+5Vsupply voltage for analog
6	GND	--	Ground for analog part(0V)
7	CIN	I	Subcarrier outputof reconstruction filter
8	SCOUT	O	Ground for digital part(0V)
9	GND	--	Ground for digital part(0V)
10	GND	--	Ground for digital part(0V)
11	GND	--	Ground for digital part(0V)
12	VDD	--	+5Vsupply voltage fordigital part
13	OSC1	I	Oscilator input
14	OSCO	O	Oscilator OUTput
15	T57	--	Non connection
16	RDCL	O	RDS clock output

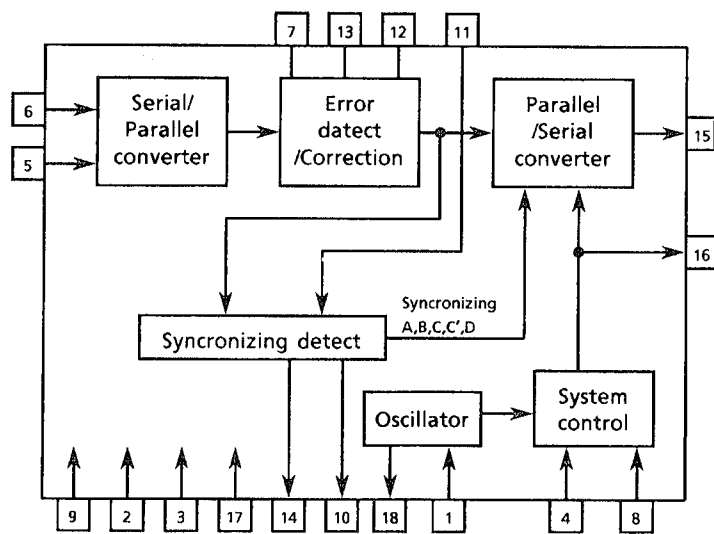
3.Block Diagram



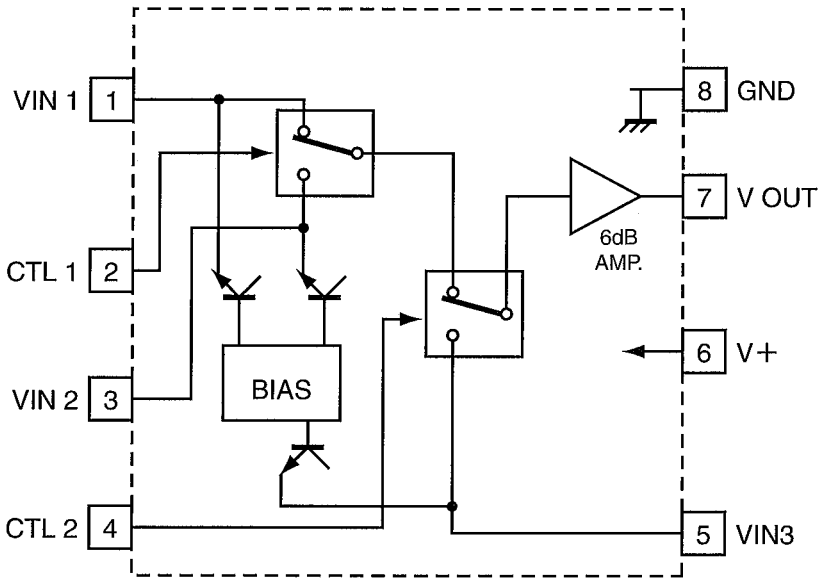
■ M5243P12(IC251):S.E.A. Graphic Equalizer



■ LC7073(IC191):Radio Data System



■ NJM2246D(IC201):Video Switch

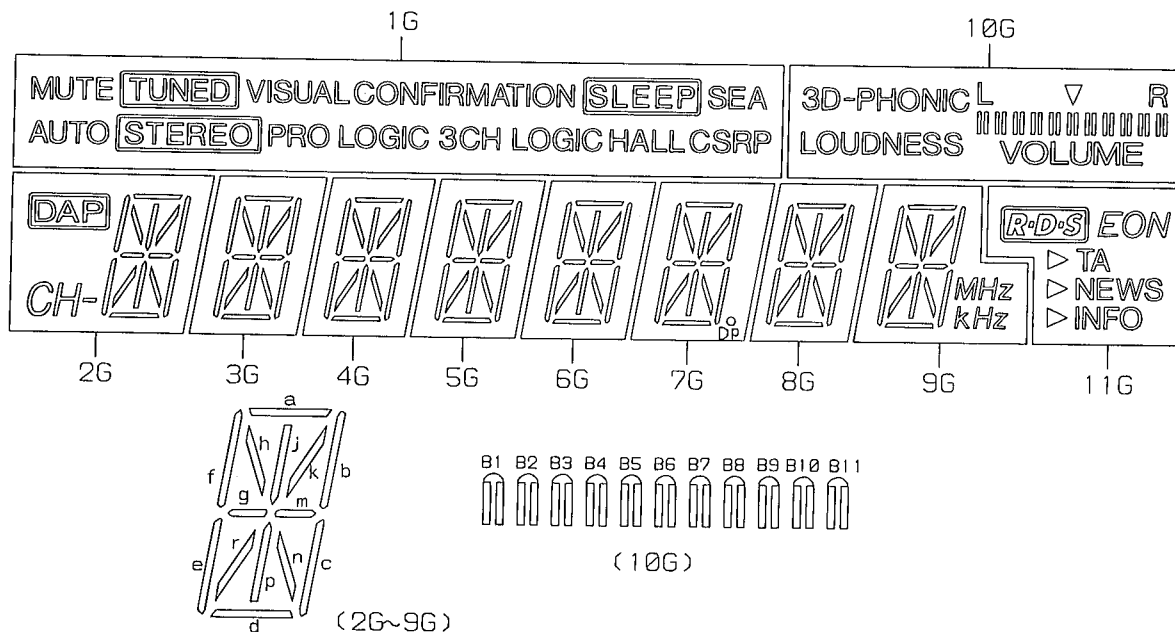


Control Signal - Output Signal

CTL 1	CTL 2	Output
L	L	VIN 1
H	L	VIN 2
L/H	H	VIN 3

# Internal Connections for FL Display Tube

■QLF0002-001(DI401):FL DISPLAY TUBE



ANODE CONNECTION

	1G	2G	3G~6G	7G	8G	9G	10G	11G
P1	MUTE AUTO	a	a	a	a	a	B1	R-D-S
P2	TUNED	b	b	b	b	b	B2	EON
P3	STEREO	j	j	j	j	j	B3	▷ TA
P4	VISUAL CONFIRMATION	k	k	k	k	k	B4	▷ NEWS
P5	SLEEP	h	h	h	h	h	B5	▷ INFO
P6	CSRP	f	f	f	f	f	B6	-
P7	-	m	m	m	m	m	B7	-
P8	-	g	g	g	g	g	B8	-
P9	HALL	c	c	c	c	c	B9	-
P10	3CH LOGIC	n	n	n	n	n	B10	-
P11	-	r	r	r	r	r	B11	-
P12	-	p	p	p	p	p	LOUDNESS	-
P13	PRO LOGIC	e	e	e	e	e	VOLUME	-
P14	-	d	d	d	d	d	L R	-
P15	SEA	CH-	-	DP	-	MHz kHz	3D-PHONIC	-
P16	-	DAP	-	-	-	-	▽	-

PIN CONNECTION

PIN NO.	33	33	33	33	33	33	33	22	22	22	22	22	22	22	22	11	11	11	11	11	11	11	11	10	9	8	7	6	5	4	3	2	1
CONNECTION	F	F	N	N	1	1	1	1	1	1	1	1	1	1	1	1	1	1	1	1	1	1	1	1	1	1	1	1	1	1	1	1	1
	22	P	P	G	G	G	G	G	G	G	G	G	G	G	G	C	C	C	C	C	C	C	C	C	C	C	C	C	C	C	C	C	C

- NOTE 1) F1, F2 --- Filament  
 2) NP ----- No Pin  
 3) NC ----- No connection  
 4) DL ----- Datum Line  
 5) 1G~11G --- Grid

## Disassembly Procedures

### (1) Top cover removal

1. Remove 4 screws A on both sides of the top cover and 3 screws B on the rear side. (Fig.1)
2. Lift the back of the top cover spreading both sides to remove.

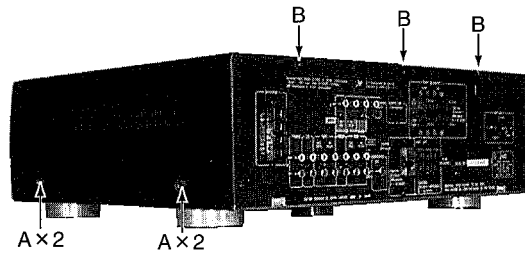


Fig.1

### (2) Front panel assembly removal

1. Remove the top cover.
2. Remove 3 screws C on the bottom side and 3 screws D on the top side. (Fig.2,3)
3. Disconnect the wire CN811 on the MAIN P.C.Board. (Fig.7)
4. Disconnect the wire CN304 on the INPUT P.C.Board. (Fig.7)
5. Remove the front panel assembly.

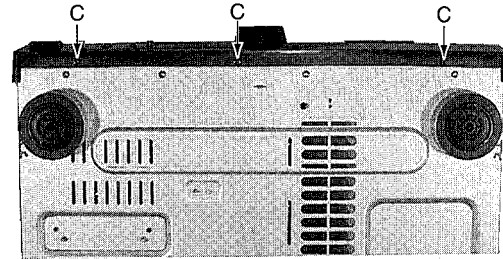


Fig.2

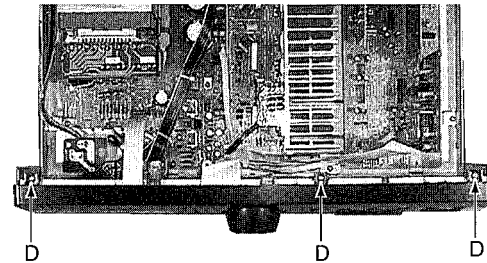


Fig.3

### (3) Rear panel remove

1. Remove the top cover.
2. Remove 18 screws E and 2 screws F (Fig.4)
3. Remove the 2 screws M on voltage selector (Only Ver.U type)
4. Remove the power cord stopper up side.
5. Remove the rear panel.

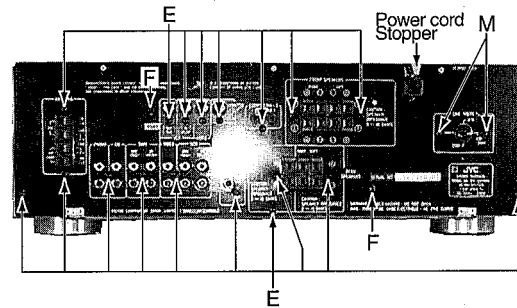


Fig.4

### (4) Remove TUNER P.C.Board

Disconnect the connector CN111 on the INPUT P.C.Board. (Fig.5)

### (5) Remove VIDEO P.C.Board (Fig.5)

1. Remove 1 screw G on the VIDEO P.C.Board.
2. Disconnect the connector CN311 on the S.E.A P.C.Board
3. Remove the VIDEO P.C.Board.

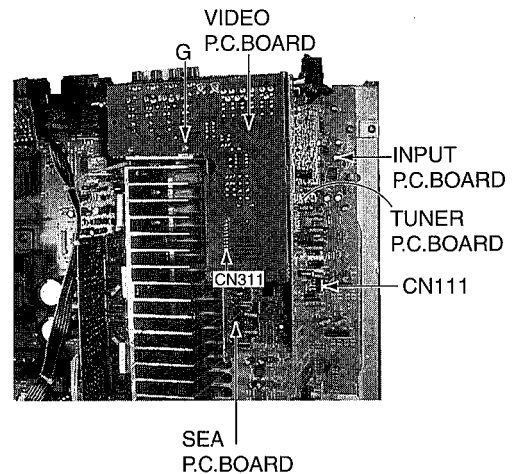


Fig.5



## (6) INPUT P.C.BOARD Removal (Fig.6)

1. Disconnect the connector CN712 on the AMP P.C.Board.
2. Disconnect the connector CN608 on the INPUT P.C.Board.
3. Pullout the connector P.C.Board.
4. Remove 4 screws H on the INPUT P.C.Board.
5. Remove the INPUT P.C.Board.

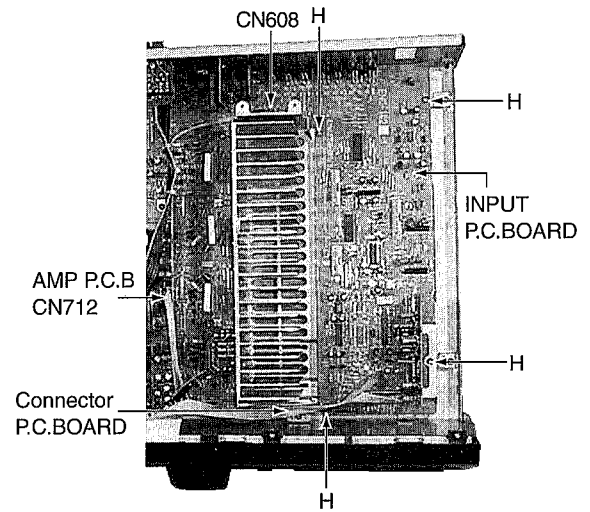


Fig.6

## (7) MAIN P.C.BOARD Removal (Fig.7,8)

1. Remove 8 screws I on the MAIN P.C.Board.
2. Remove 8 screws J on the Power transistor.
3. Each ty band is cut out.
4. Disconnect the wire CN831 on the MAIN P.C.Board.
5. Pull out the AMP P.C.Board.
6. Remove 4 screws N on Power Transformer.
7. Remove 4 screws K on push switch of the front side.
8. Remove nut on terminal of the headphone.
9. Remove the MAIN P.C.Board.

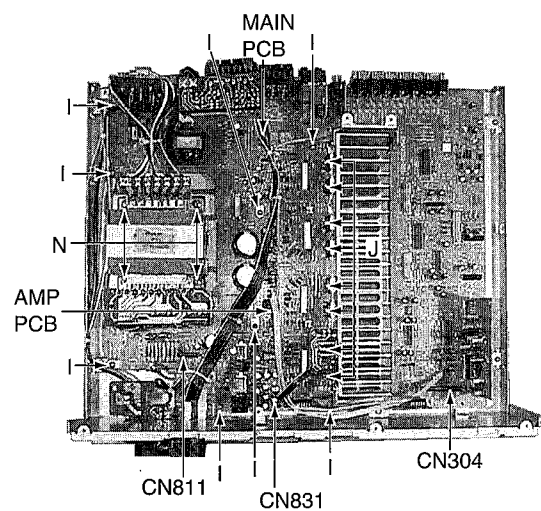


Fig.7

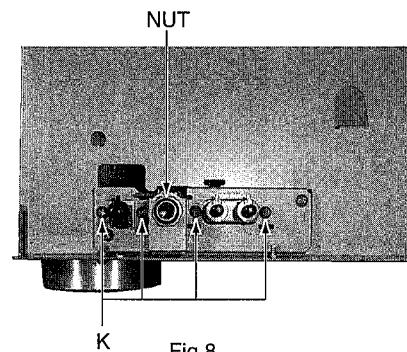


Fig.8

## (8) Front P.C.BOARD Removal (Fig.9)

1. Remove the top cover.
2. Remove the Front panel assembly.
3. Remove the master volume knob and nut.
4. Remove the 11 screws L on the Front P.C.Board.

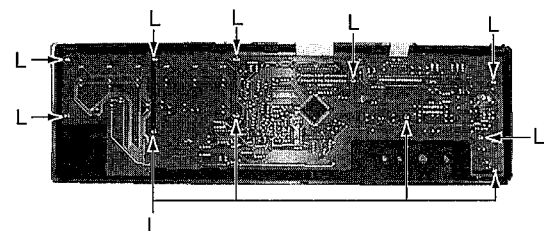


Fig.9

# ADJUSTMENT PROCEDURES

## ■ TUNER SECTION

### 1. Tuner range

- FM 87.5MHz~108.0MHz
- MW 530kHz~1710kHz (Ver. J.C)  
531kHz~1602kHz (Ver. U.UF.US.UT)

### 2. Tuning voltage

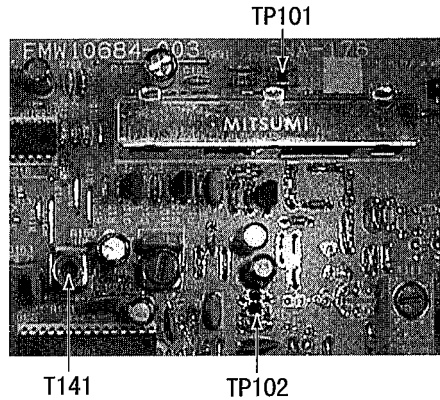
Confirm the voltages in the table at TP101

#### FM tuning voltage (Unit V)

- 87.5MHz >1.6 (Nominal 2.0)
- 108.0MHz < 9.0 (Nominal 8.0)

#### MW tuning voltage (Unit V)

- 530/531kHz >0.8 (Nominal 1.0)
- 1710kHz < 8.8 (Nominal 8.0) [Ver. J.C]
- 1600/1602kHz < 7.9 (Nominal 7.2) [Ver. U.UF.US.UT]

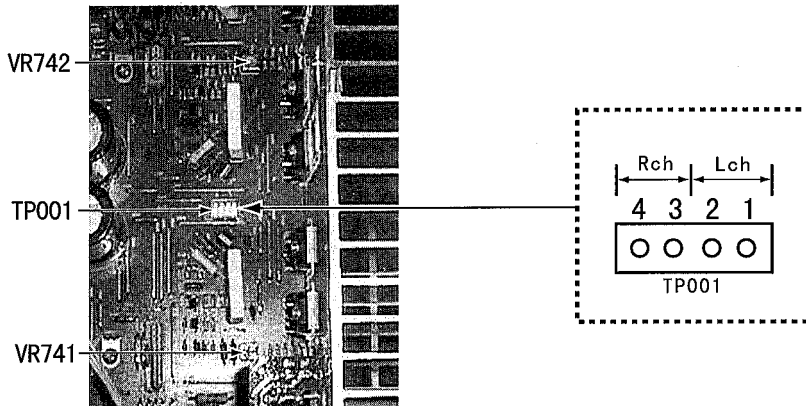


### 3. FM center meter

Receive a broadcast by using the function of 'AUTO STOP'

Adjust T141 (Detector coil) so that the voltage at TP102 becomes  $0 \pm 1.5mV$

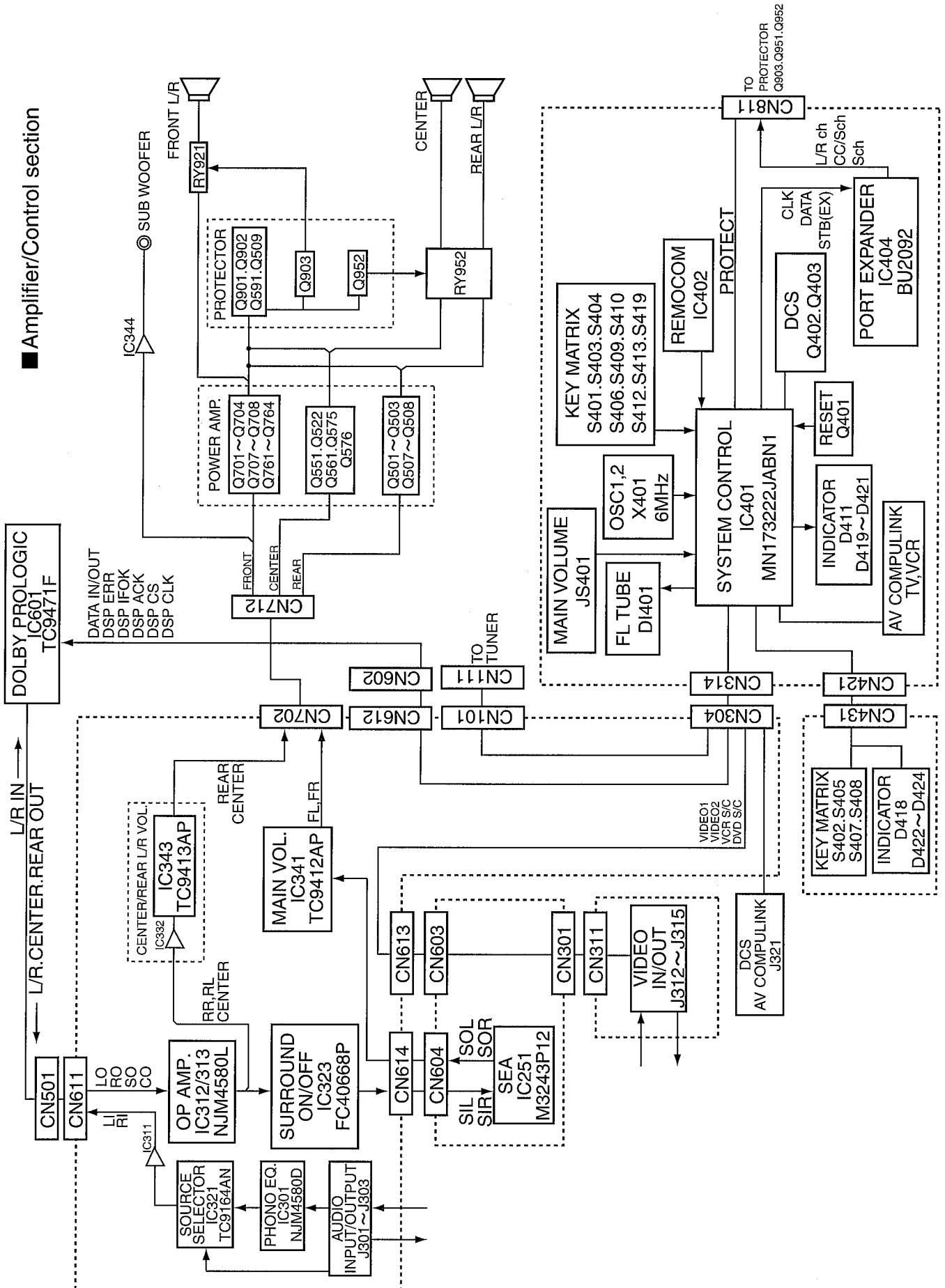
## ■ POWER AMPLIFIER SECTION



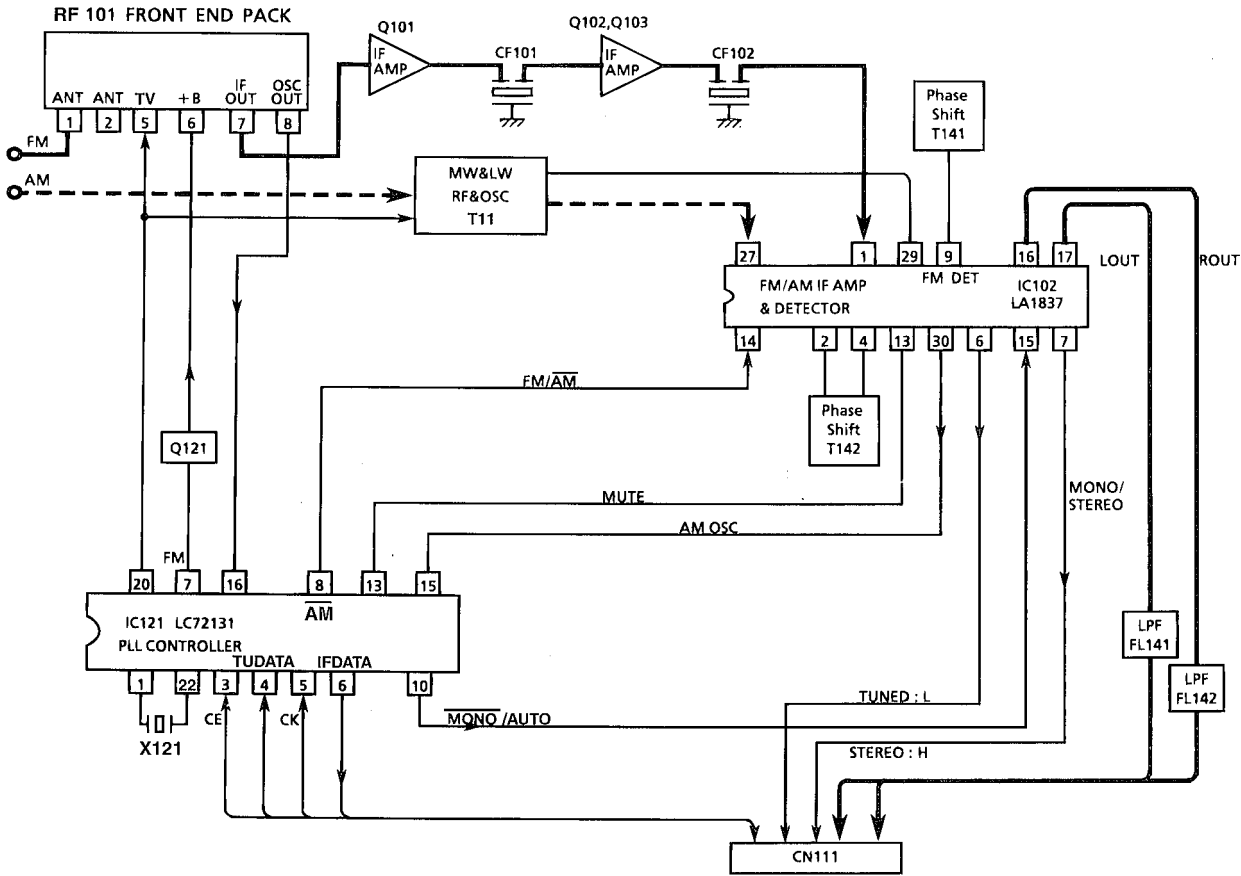
### IDLING CURRENT

1. Set the volume control to minimum during this adjustment. set the surround mode "OFF"
2. Turn VR741 and VR742 fully counterclockwise to warm up before adjustment.  
If the heat sink is already warm from previous use the correct adjustment can not be made.
3. For L-ch, connect a DC voltmeter between TP001's pin1 and pin2 (Lch)  
And, connect it between pin3 and pin4 (Rch).
4. 30 minutes later after power on, adjust VR741 for L-ch, or VR742 for R-ch so that the DC voltmeter value has  $1mV \sim 10mV$ .

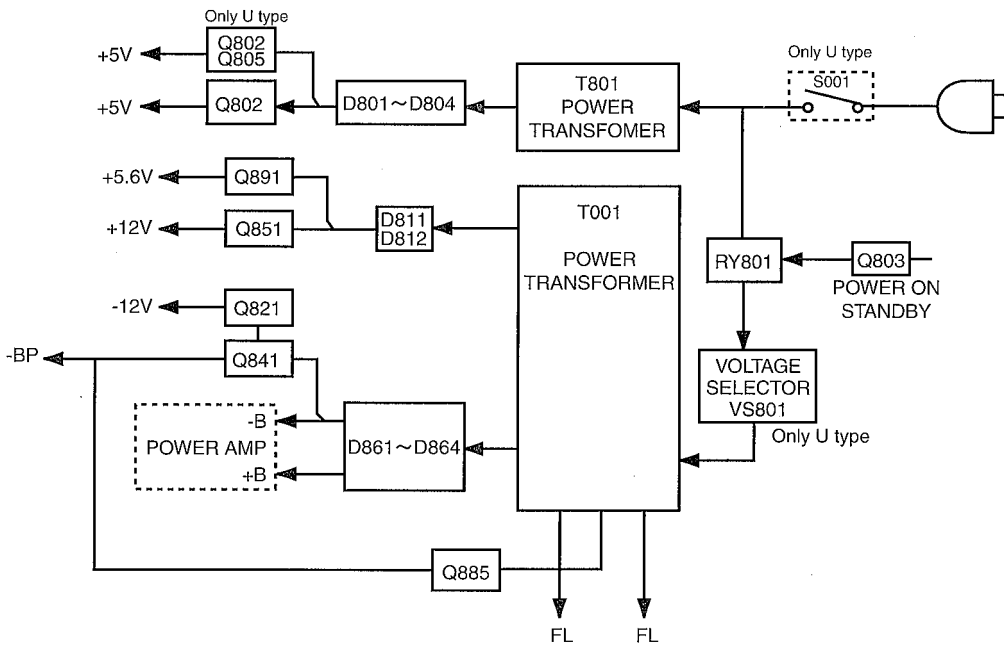
■ Amplifier/Control section



■ Tuner Section



■ Power Supply Section





AUDIO AMP / POWER PRIMARY SECTION

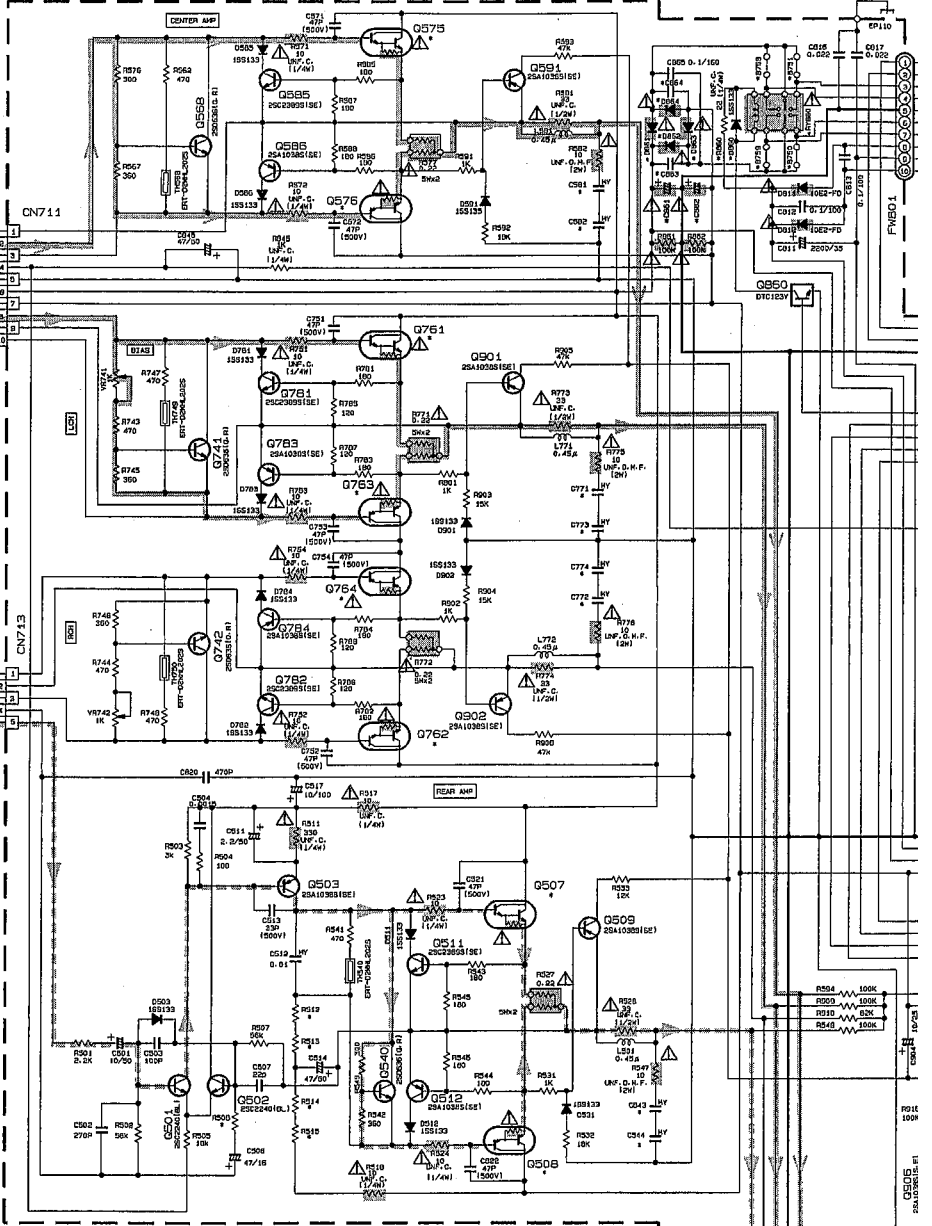
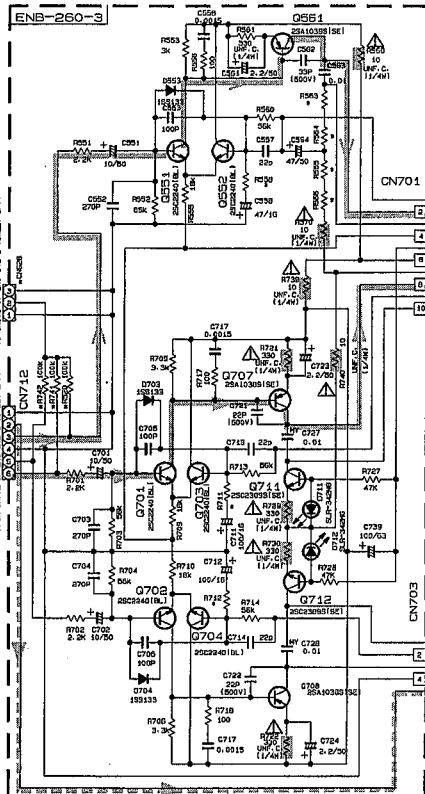
5

4

3

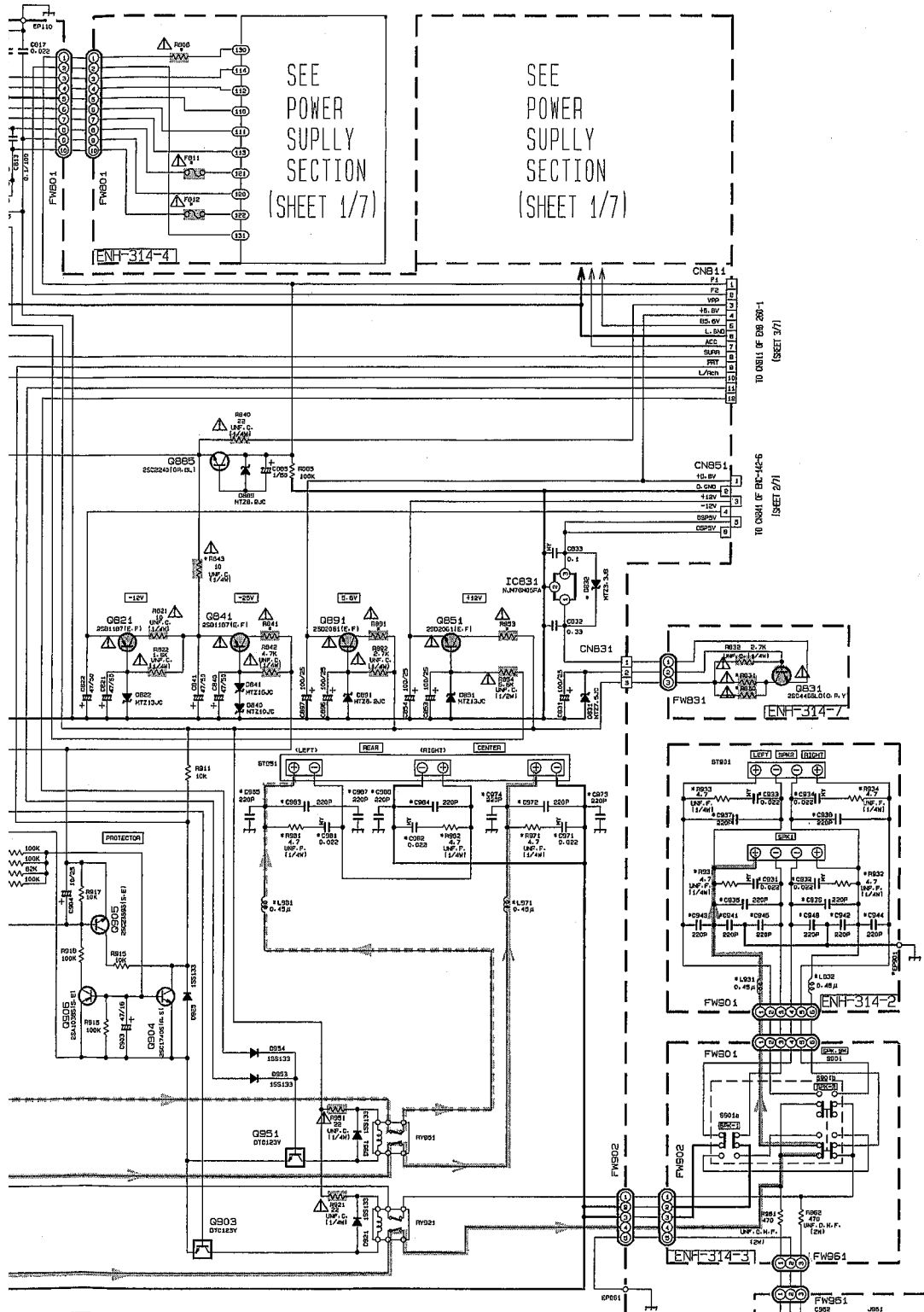
2

1



MARK	RE-85-80K				RE-3410K			
	J	E	U	M	U	T	S	D
Q771-772	SHORT	0.047	0.047	0.047				
Q773-774	0.022	0.047	0.047	0.047				
Q581	SHORT	0.047	0.047	0.047				
Q582	0.022	0.047	0.047	0.047				
Q583	SHORT	0.047	0.047	0.047				
Q584	0.022	0.047	0.047	0.047				
Q581-034	NONE	NONE	NONE	USED				
Q581-035	NONE	NONE	NONE	USED				
Q581-044	NONE	NONE	NONE	USED				
Q581	NONE	NONE	NONE	USED				
Q581-053	NONE	NONE	NONE	USED				
Q581-074	NONE	NONE	NONE	USED				
Q581-087	NONE	NONE	NONE	USED				
Q581	SHORT	SHORT	SHORT	USED				
Q581	SHORT	SHORT	SHORT	USED				
Q581	SHORT	SHORT	SHORT	USED				
Q581	NONE	NONE	NONE	USED				
Q581	NONE	NONE	NONE	USED				
Q581	NONE	NONE	NONE	USED				
Q581	USED	USED	USED	NONE				
Q581	USED	USED	USED	NONE				
R783-086	3.3k	3.3k	3.3k	3k				
R783-019	3.3k	3.3k	3.3k	3k				
R771-772	300	300	430	810				
R506	300	300	430	810				
R500	300	300	430	810				
R508	10k	10k	10k	10k				
R511	10k	10k	10k	10k				
R512	10k	10k	10k	10k				
R513	10k	10k	10k	10k				
R514	10k	10k	10k	10k				
R515	10k	10k	10k	10k				
R516	10k	10k	10k	10k				
R517	10k	10k	10k	10k				
R518	10k	10k	10k	10k				
R519	10k	10k	10k	10k				
R520	10k	10k	10k	10k				
R521	10k	10k	10k	10k				
R522	10k	10k	10k	10k				
R523	10k	10k	10k	10k				
R524	10k	10k	10k	10k				
R525	10k	10k	10k	10k				
R526	10k	10k	10k	10k				
R527	10k	10k	10k	10k				
R528	10k	10k	10k	10k				
R529	10k	10k	10k	10k				
R530	10k	10k	10k	10k				
R531	10k	10k	10k	10k				
R532	10k	10k	10k	10k				
R533	10k	10k	10k	10k				
R534	10k	10k	10k	10k				
R535	10k	10k	10k	10k				
R536	10k	10k	10k	10k				
R537	10k	10k	10k	10k				
R538	10k	10k	10k	10k				
R539	10k	10k	10k	10k				
R540	10k	10k	10k	10k				
R541	10k	10k	10k	10k				
R542	10k	10k	10k	10k				
R543	10k	10k	10k	10k				
R544	10k	10k	10k	10k				
R545	10k	10k	10k	10k				
R546	10k	10k	10k	10k				
R547	10k	10k	10k	10k				
R548	10k	10k	10k	10k				
R549	10k	10k	10k	10k				
R550	10k	10k	10k	10k				
C580	100nF	100nF	100nF	100nF				
C581	100nF	100nF	100nF	100nF				
C582	100nF	100nF	100nF	100nF				
C583	100nF	100nF	100nF	100nF				
C584	100nF	100nF	100nF	100nF				
C585	100nF	100nF	100nF	100nF				
C586	100nF	100nF	100nF	100nF				
C587	100nF	100nF	100nF	100nF				
C588	100nF	100nF	100nF	100nF				
C589	100nF	100nF	100nF	100nF				
C590	100nF	100nF	100nF	100nF				
C591	100nF	100nF	100nF	100nF				
C592	100nF	100nF	100nF	100nF				
C593	100nF	100nF	100nF	100nF				
C594	100nF	100nF	100nF	100nF				
C595	100nF	100nF	100nF	100nF				
C596	100nF	100nF	100nF	100nF				
C597	100nF	100nF	100nF	100nF				
C598	100nF	100nF	100nF	100nF				
C599	100nF	100nF	100nF	100nF				
C600	100nF	100nF	100nF	100nF				

ENH-314-1



SEE  
POWER  
SUPPLY  
SECTION  
(SHEET 1/7)

SEE  
POWER  
SUPPLY  
SECTION  
(SHEET 1/7)

TO OR11 OF CR-200-1  
(SHEET 3/7)

TO OR11 OF CR-145-5  
(SHEET 2/1)

ENH-314-2

ENH-314-3

ENH-314-5

- ▶ MAIN SIGNAL
- ▶ CENTER SIGNAL
- ▶ REAR SIGNAL
- ▶ AM RADIO SIGNAL
- ▶ FM RADIO SIGNAL

▲ Parts are safety assurance parts.  
When replacing those parts make  
sure to use the specified one.

POWER SUPPLY SECTION

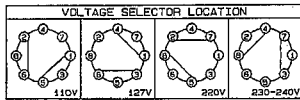
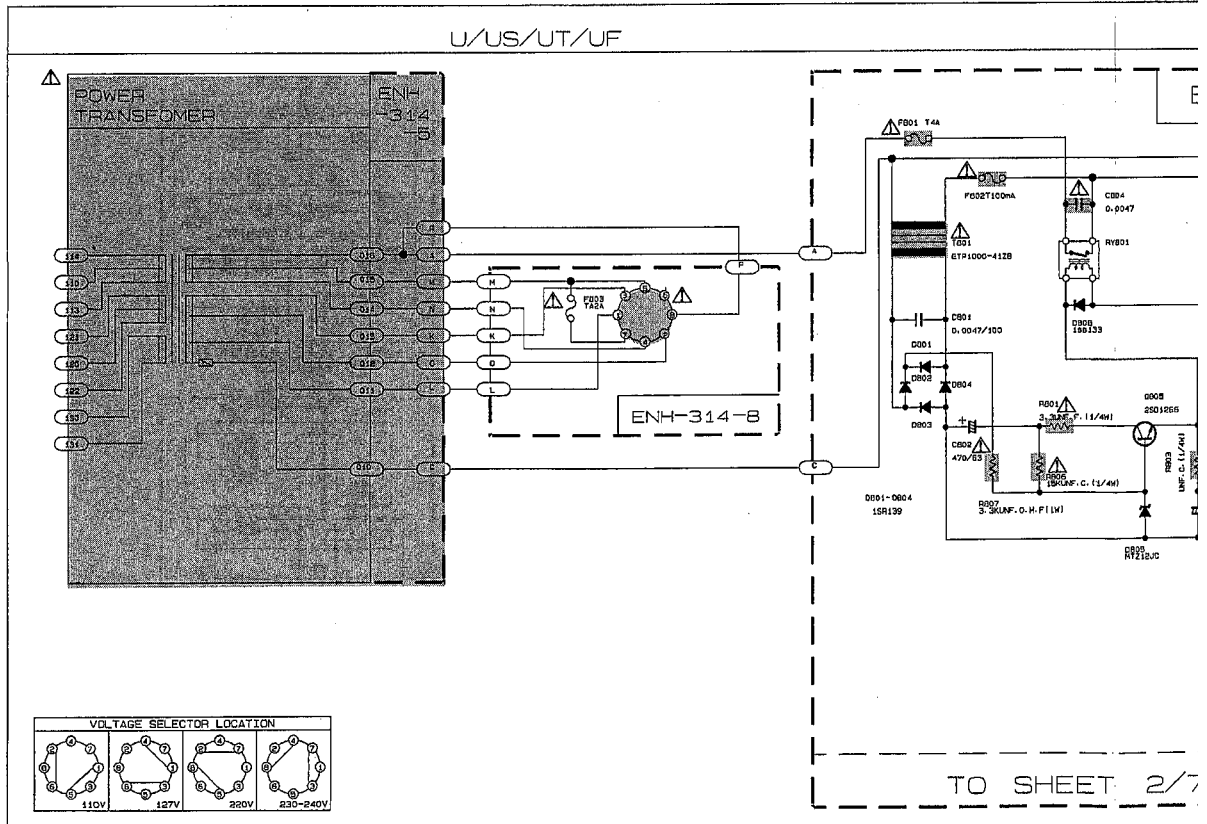
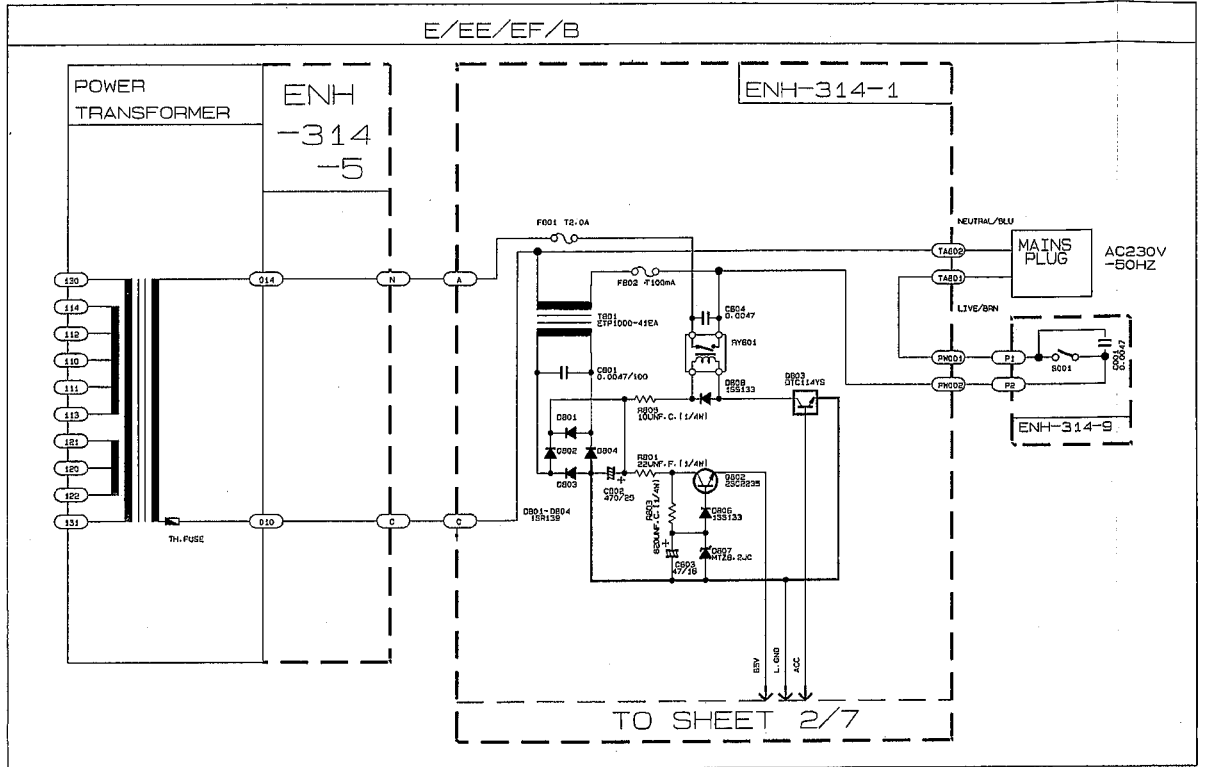
5

4

3

2

1



A

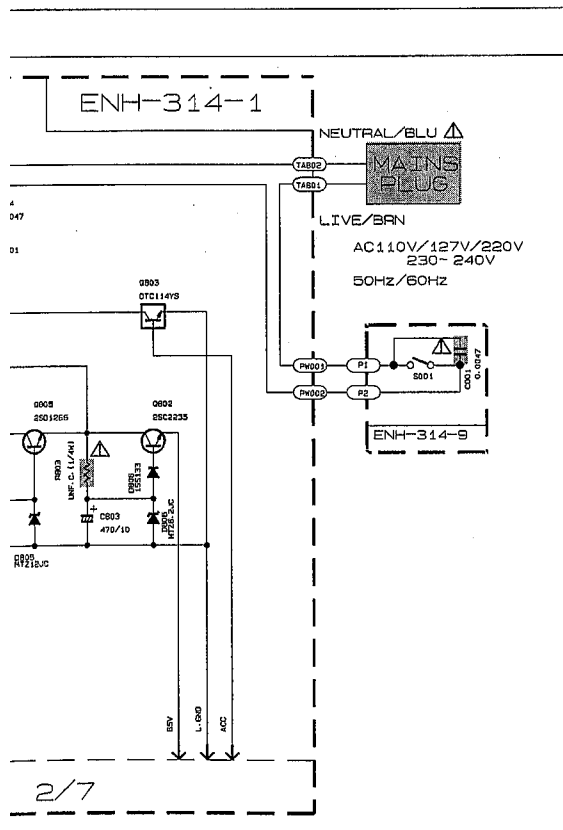
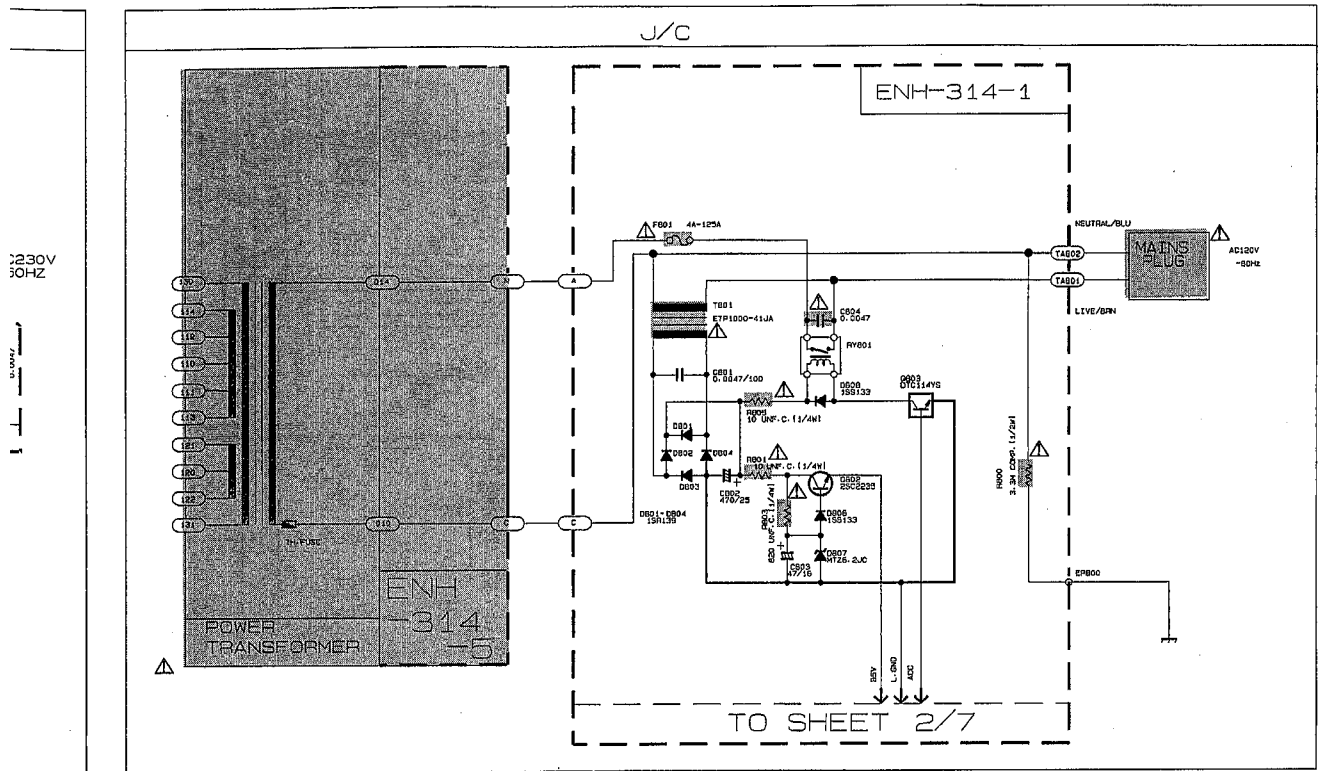
B

C

2-20

D





VERSION CODES

EN: NORDIC COUNTRIES  
 E: CONTINENTAL EUROPE  
 EE: EASTERN EUROPE  
 B: U. K.  
 C: CANADA  
 J: U. S. A.  
 US: SINGAPORE  
 UT: TAIWAN  
 UF: CHINA  
 U: UNIVERSAL EXCEPT ALL OF ABOVE

NOTES:

MARK(\*) IS TO SHOW DEVIATION IN VERSIONS.  
 DETAILS ARE EXPLAINED NEAR THE MARK.

EXPLANATION OF OVERALL OF SCHEMA.  
 MODEL RX-554VBK/RX-554RBK

SHEET NUMBER	CIRCUIT DESCRIPTION
1/7	PRIMARY
2/7	RECTIFIER/REGULATOR /AUDIO AMP./SPEAKER TERMINAL
3/7	AUDIO VIDEO SIGNAL INPUT TERMINAL /SOURCE SELECT IC /FRONT REAR CENTER VOLUME
4/7	USER CONTROL KEYS/SYSTEMCONTROL LSI /FL DISPLAY/SURROUND IC.
5/7	TUNER (ONLY C J)
6/7	TUNER (ONLY EN E EE B)
7/7	TUNER (ONLY US UT U F)

Parts are safety assurance parts. When replacing those parts make sure to use the specified one.

# AUDIO / VIDEO SIGNAL INPUT SECTION

5

4

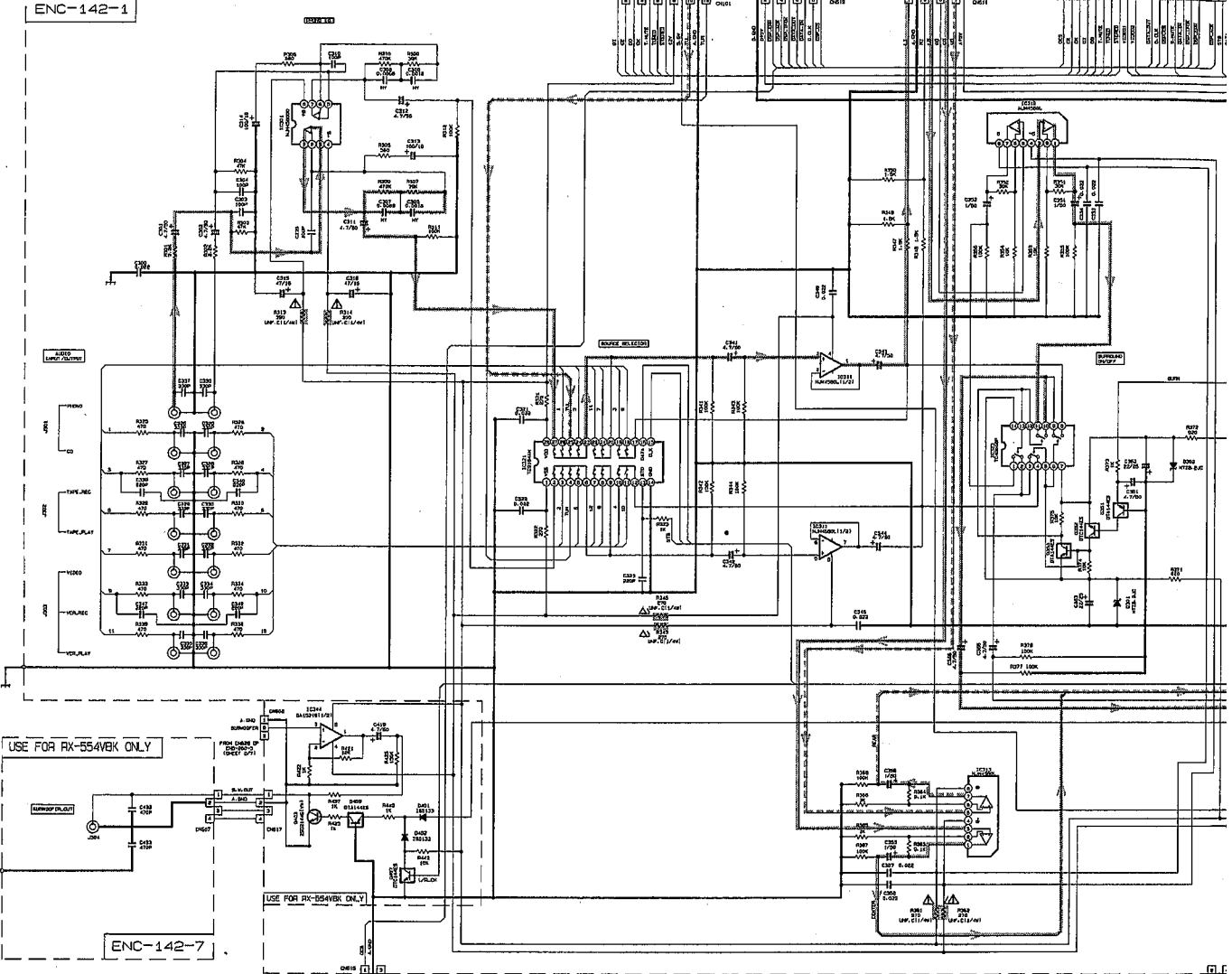
3

2

1

ENC-142-1

TO CHASSIS OF ENC-100-4 TARGET 471  
 TO CHASSIS OF ENC-100-4 TARGET 471  
 TO CHASSIS OF ENC-100-4 TARGET 471  
 FROM CHASSIS OF ENC-100-1 TARGET 471

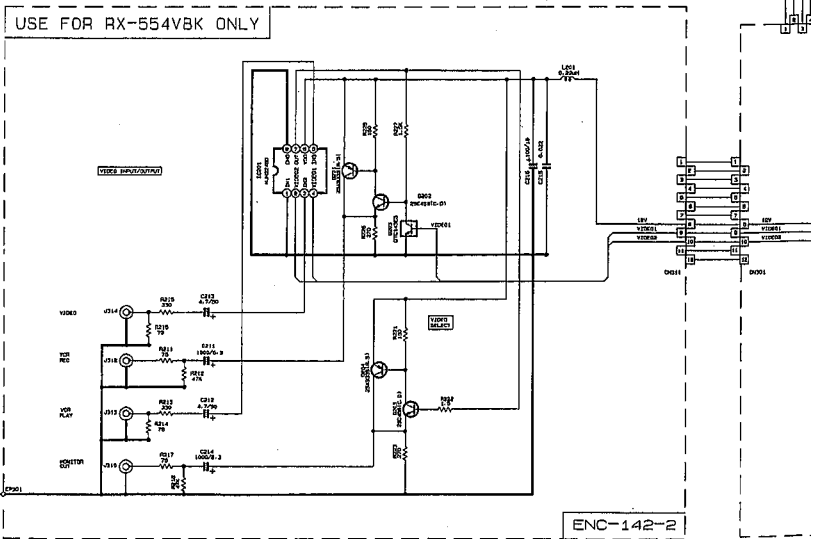


USE FOR RX-554VBK ONLY

ENC-142-7

USE FOR RX-554VBK ONLY

ENC-142-4



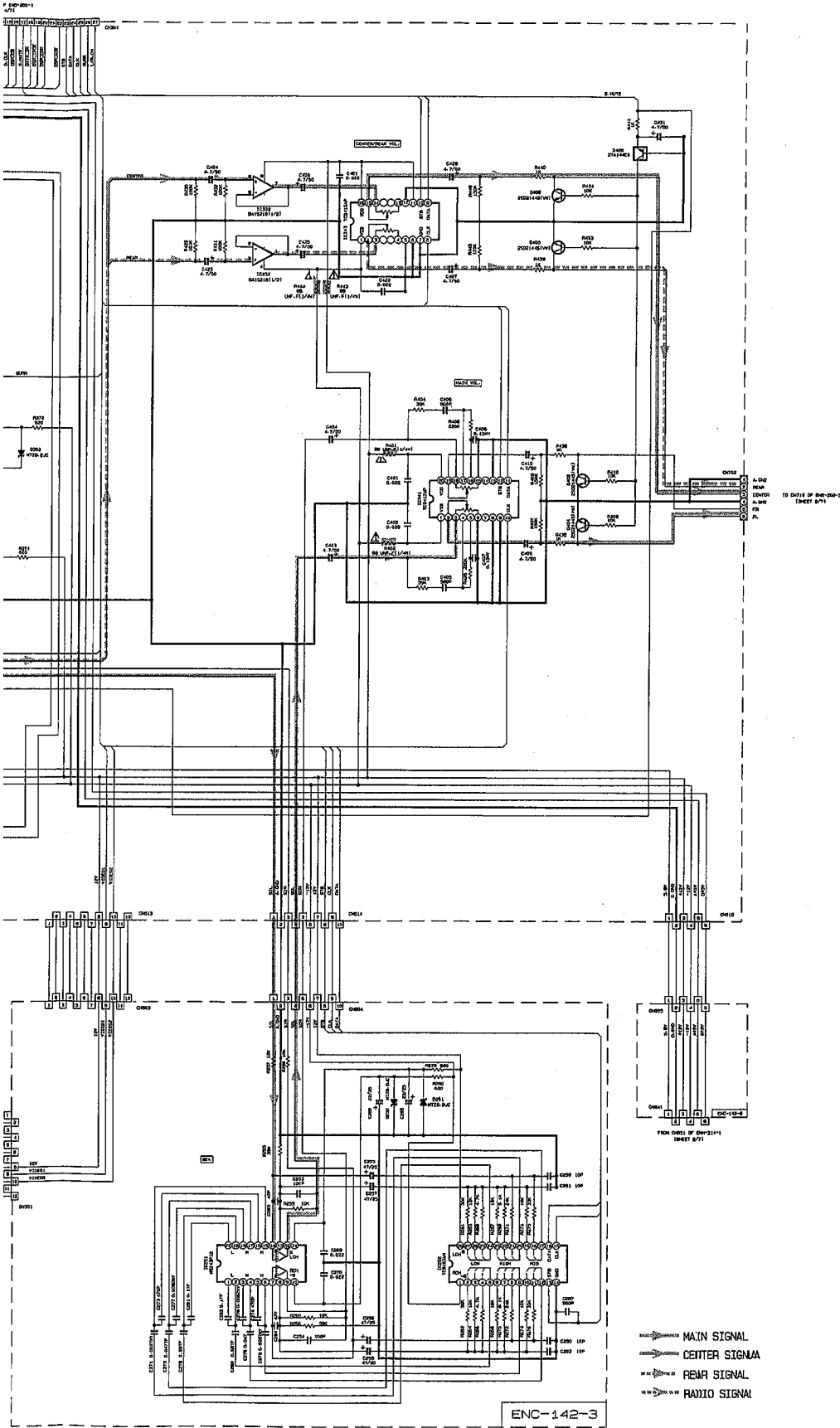
ENC-142-2

A

B

C

D



TO DATE OF REV-20-3  
PAGE 071

FROM DATE OF REV-21-1  
PAGE 071

ENC-142-3

- MAIN SIGNAL
- CENTER SIGNAL
- REAR SIGNAL
- RADIO SIGNAL

▲ Parts are safety assurance parts. When replacing these parts make sure to use the specified one.

SYSTEM CONTROL SECTION

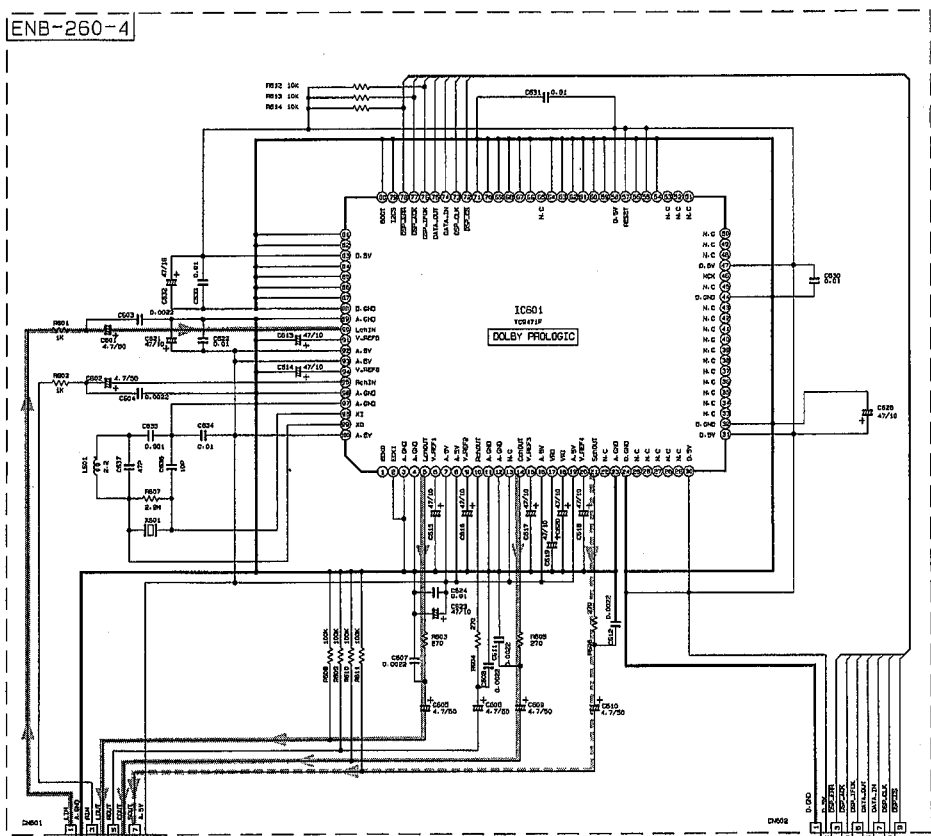
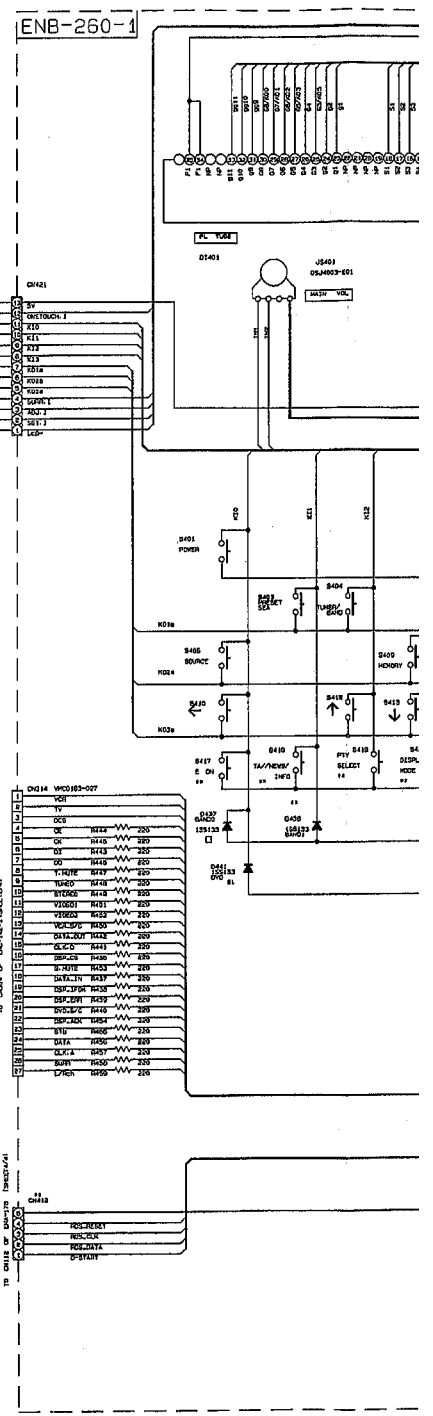
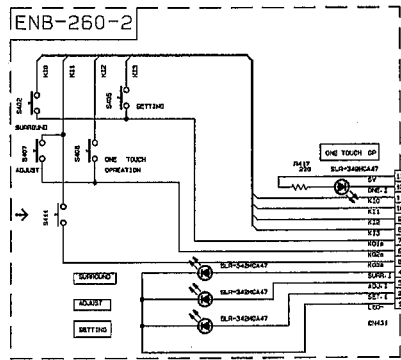
5

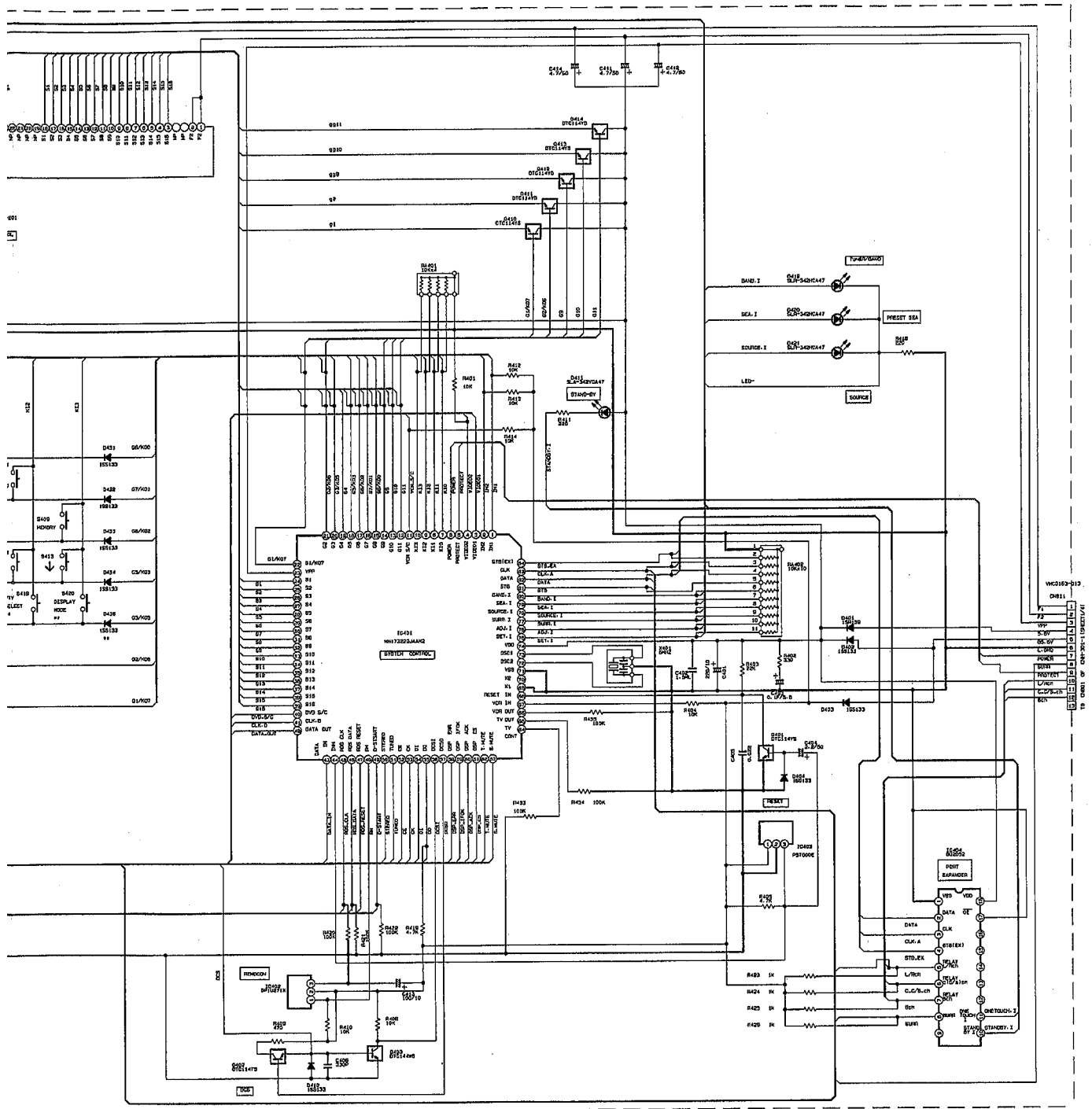
4

3

2

1

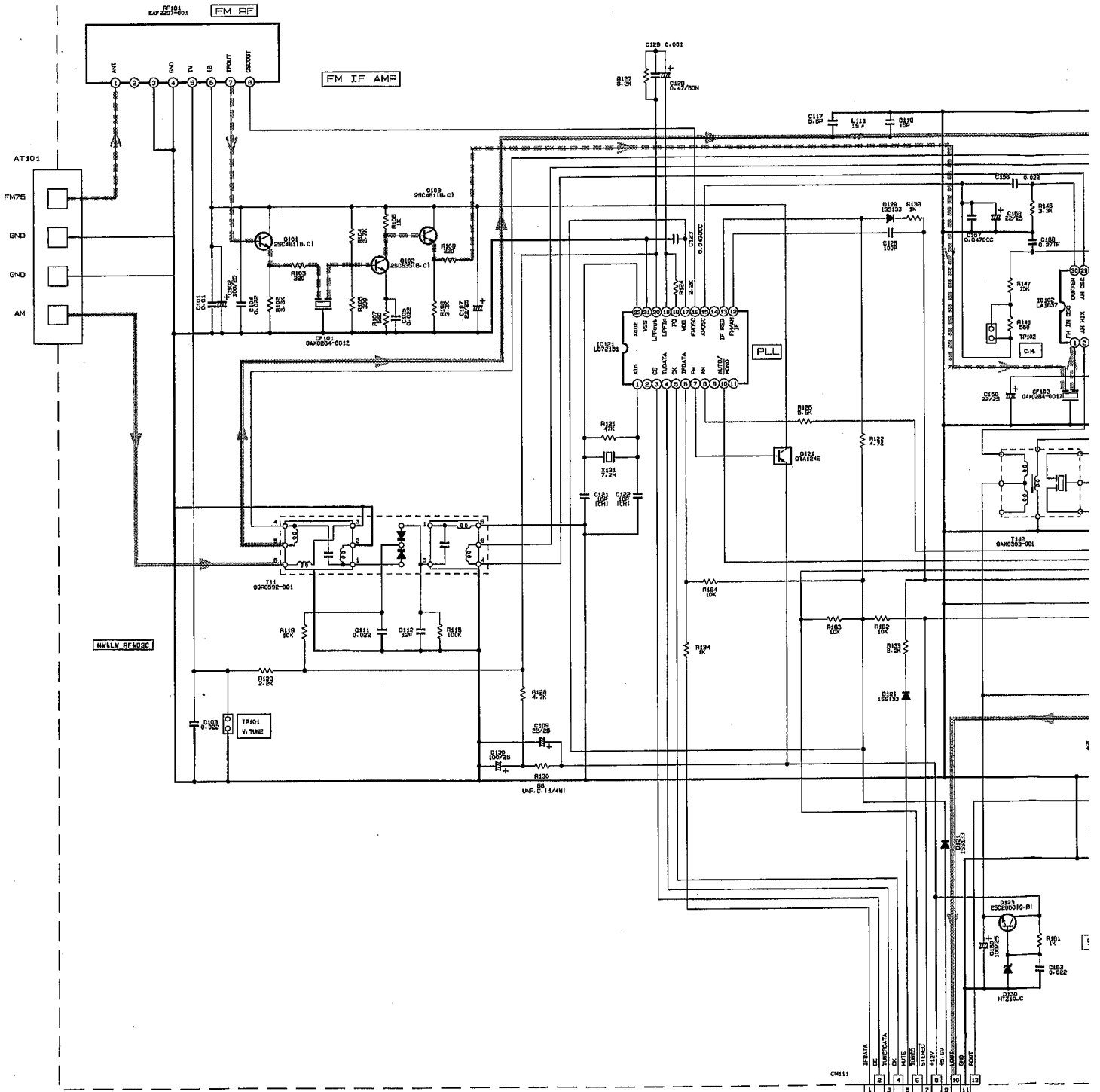




MAIN SIGNAL  
 CENTER SIGNAL  
 REAR SIGNAL

■ TUNER SECTION (For ver. J,C)

FOR J, C  
ENA-178



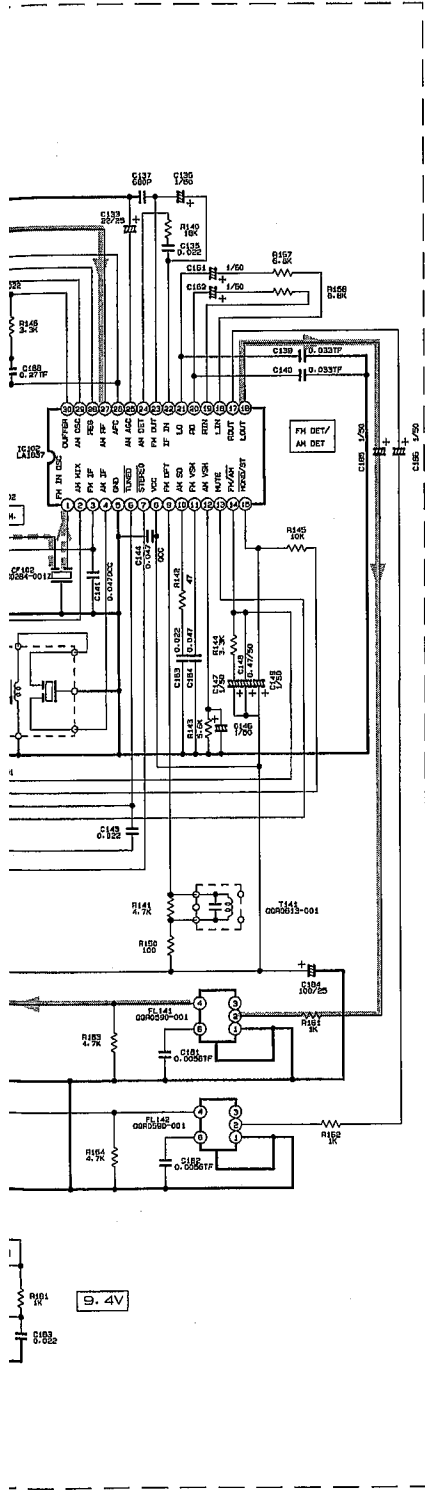
TO CN101 OF  
ENC-142-1  
(SHEET 3/7)

A

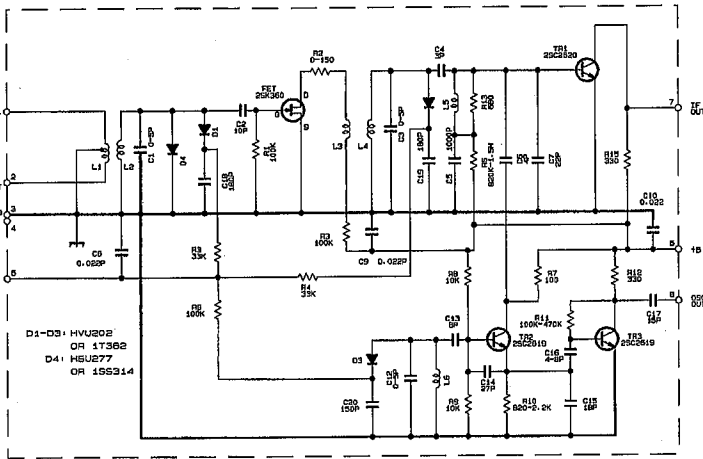
B

C

D



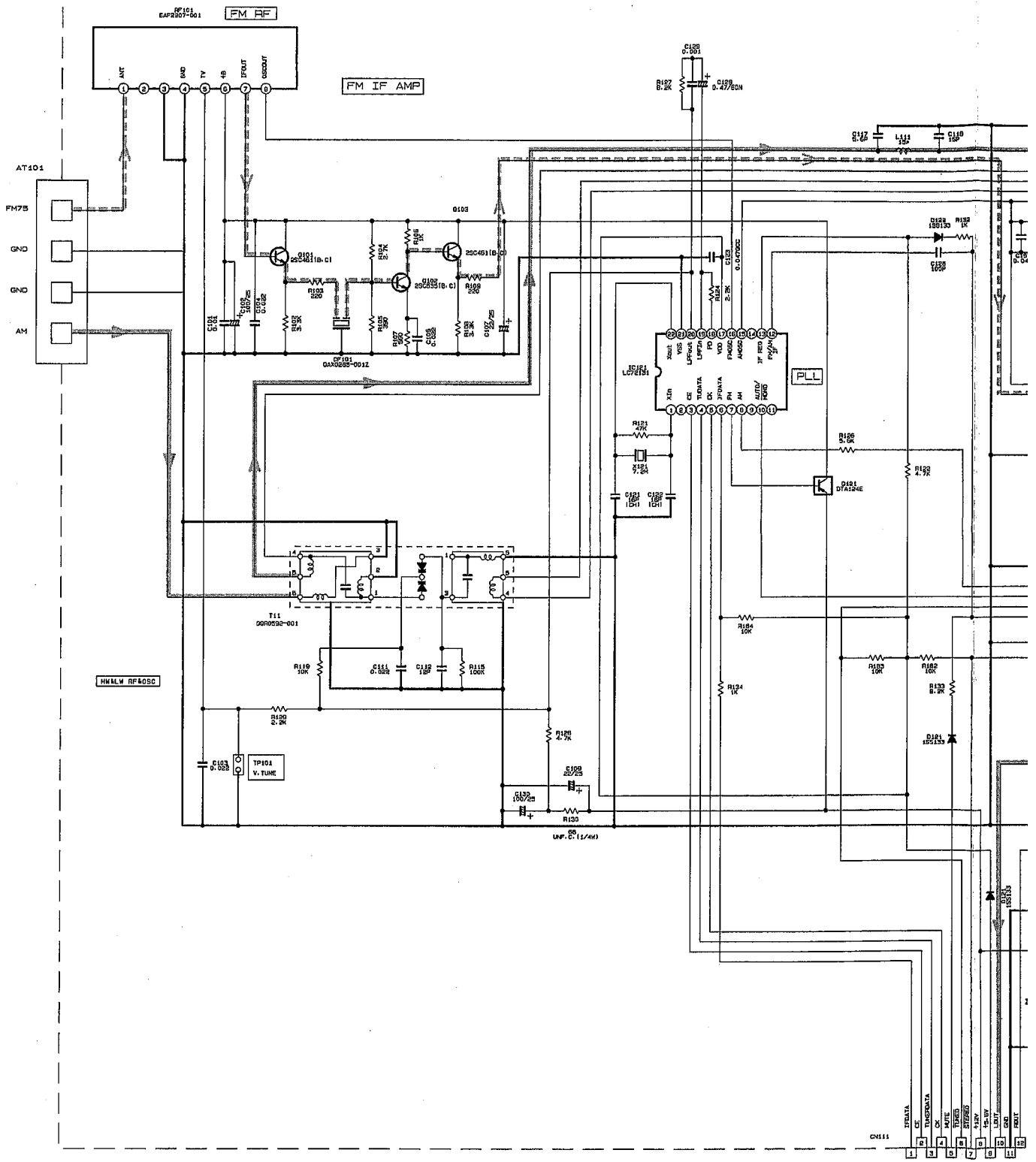
RF 101  
EAF2207-001



AM RADIO SIGNAL  
 FM RADIO SIGNAL

TUNER SECTION (For ver. U type)

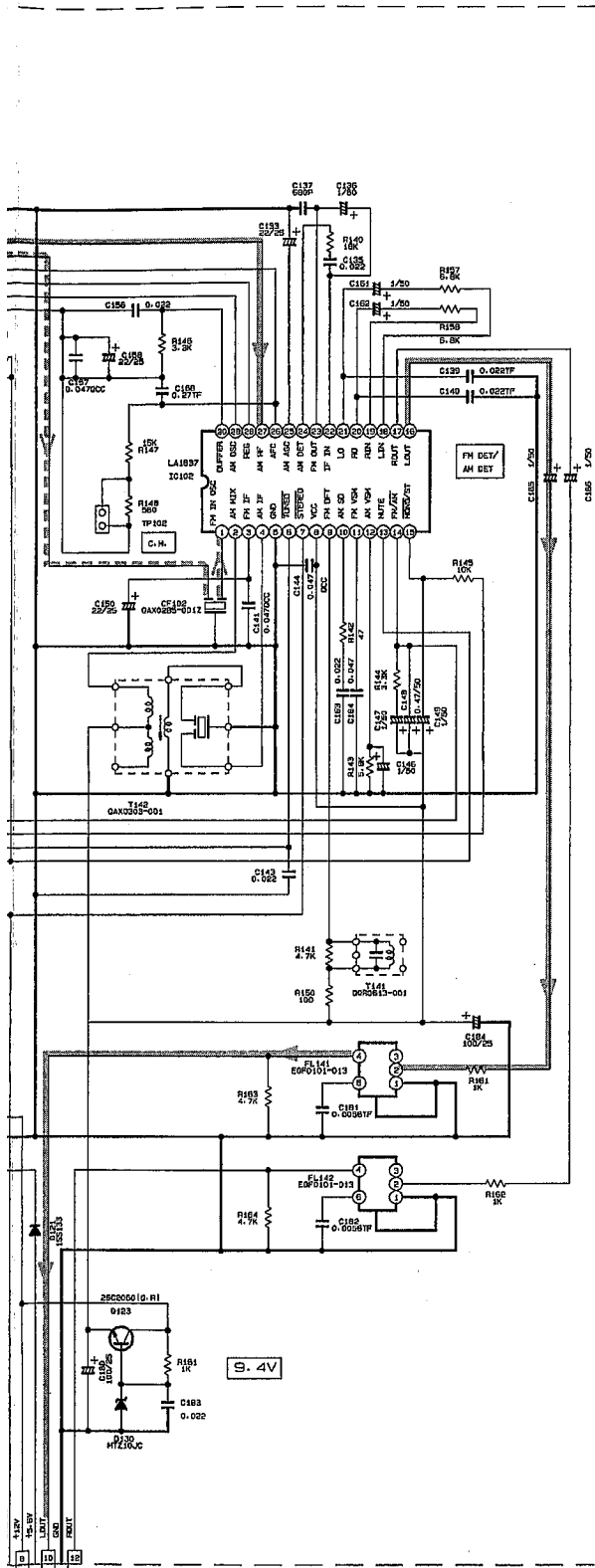
FOR U, UF, UT, US  
ENA-178



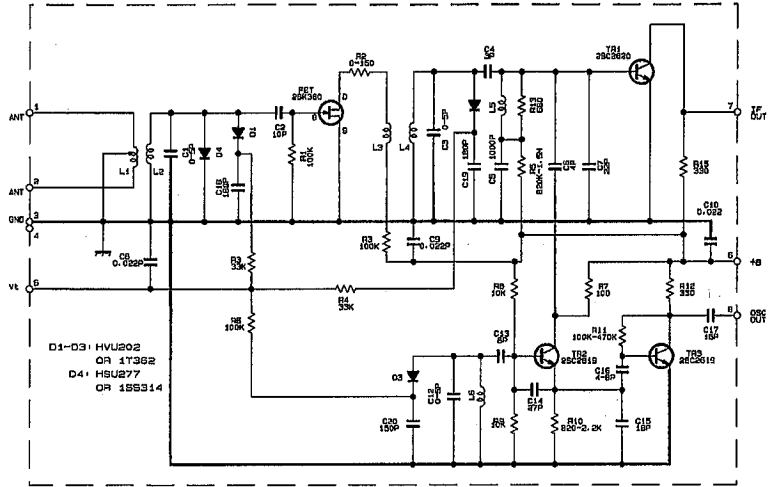
TO CN101 OF  
ENC-142-1  
(SHEET 3/7)

5  
4  
3  
2  
1





RF101  
EAF2207-001



AM RADIO SIGNAL  
FM RADIO SIGNAL

# MAIN AMP.P.C.Board

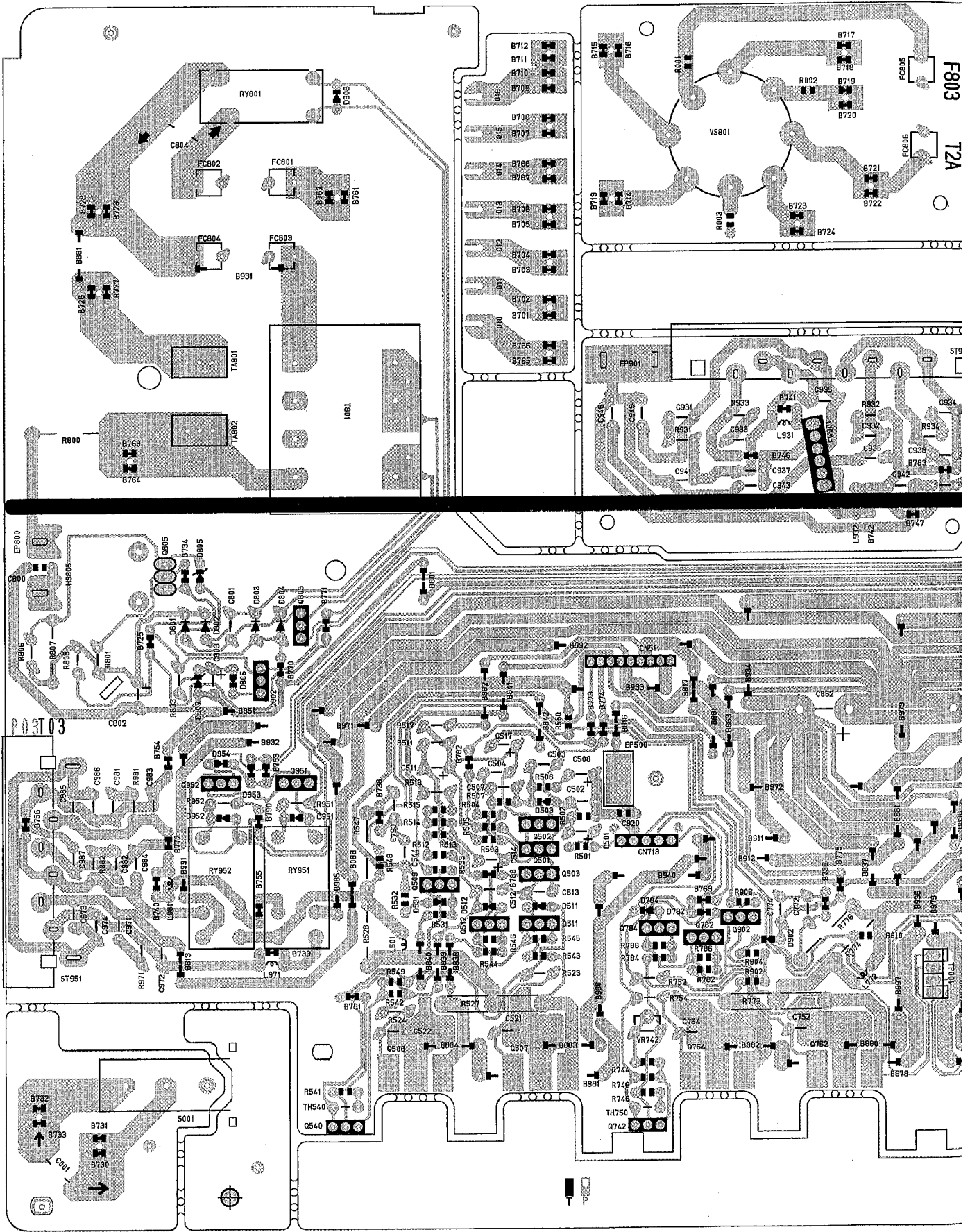
5

4

3

2

1

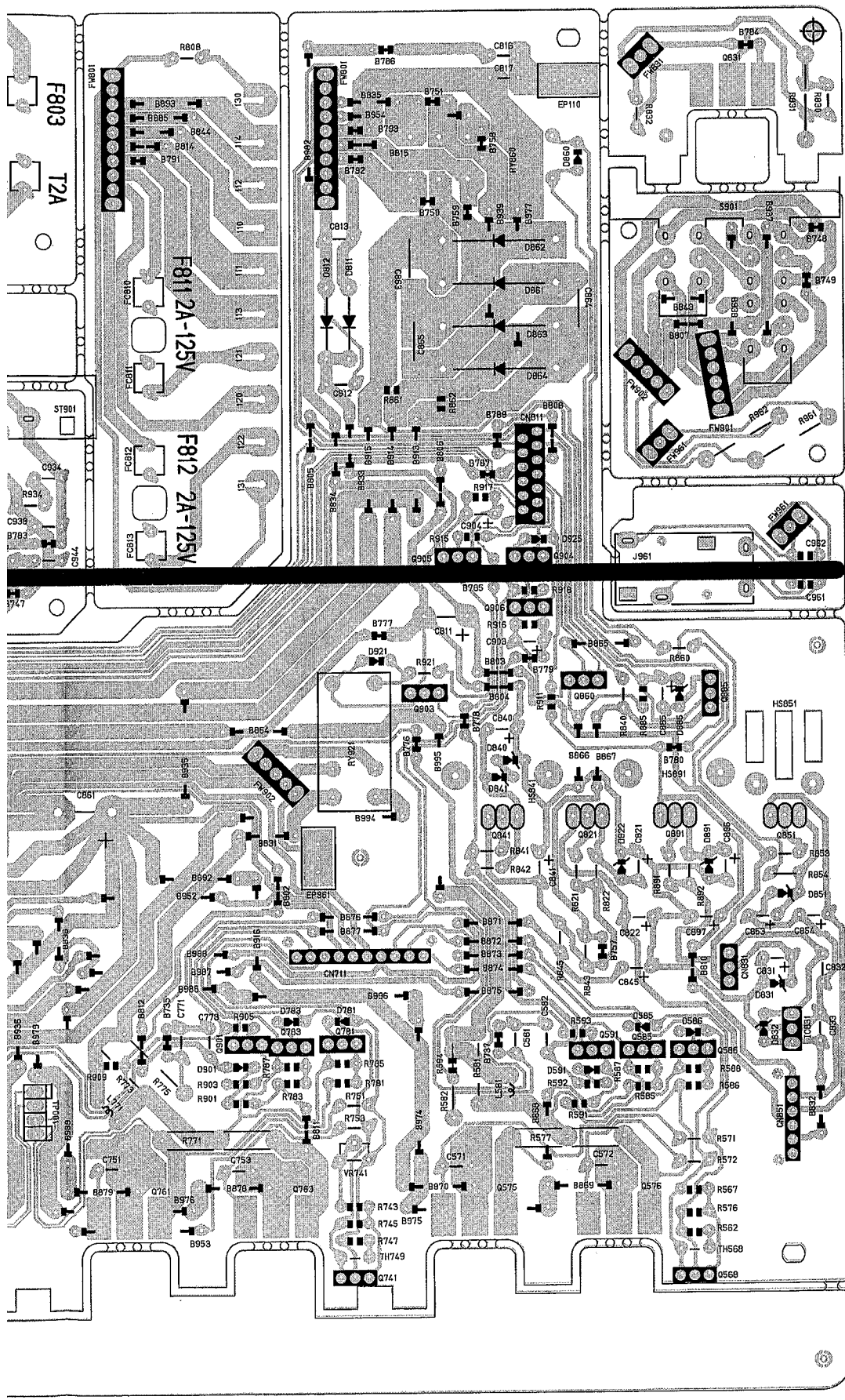


A

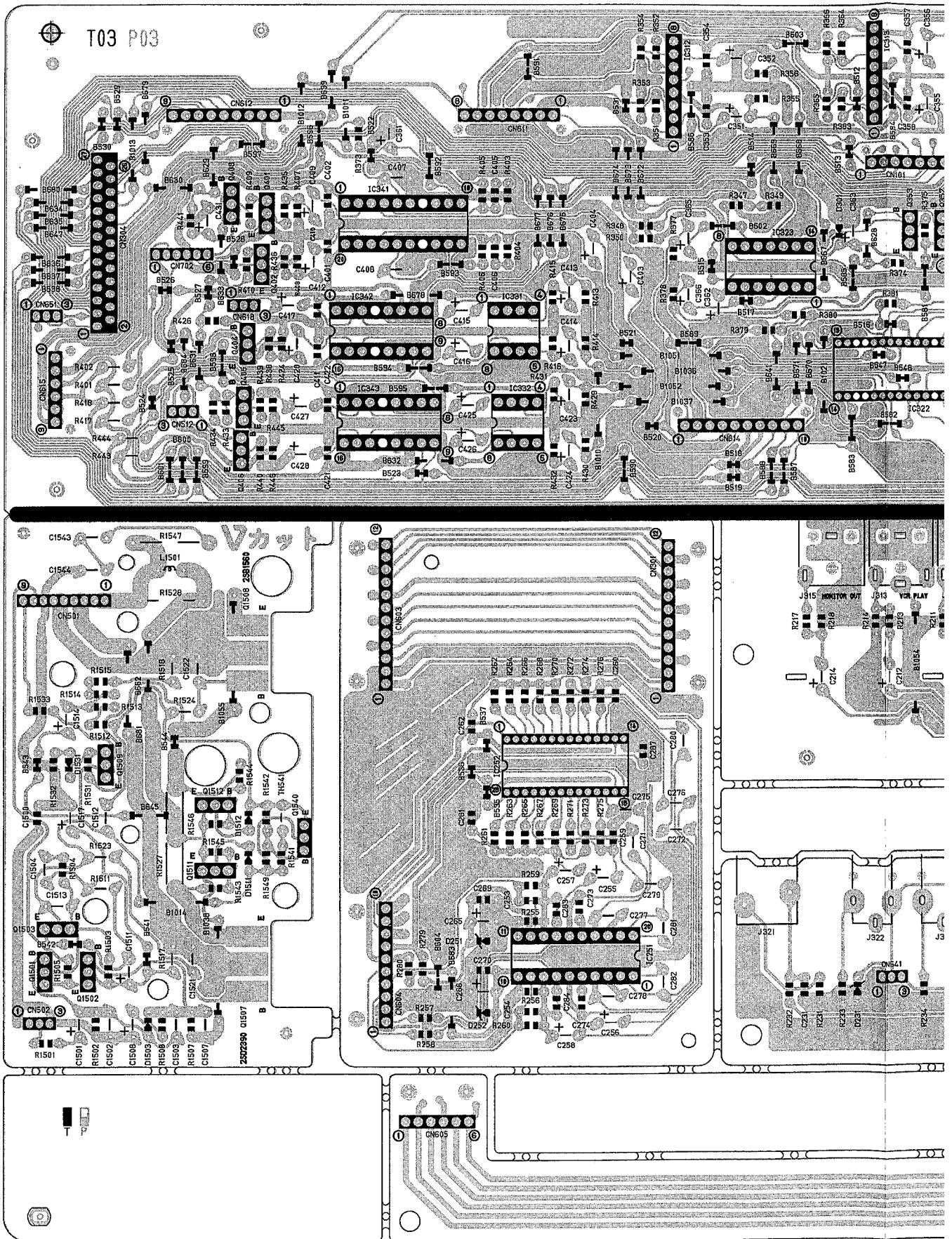
B

C

D



INPUT P.C.Board



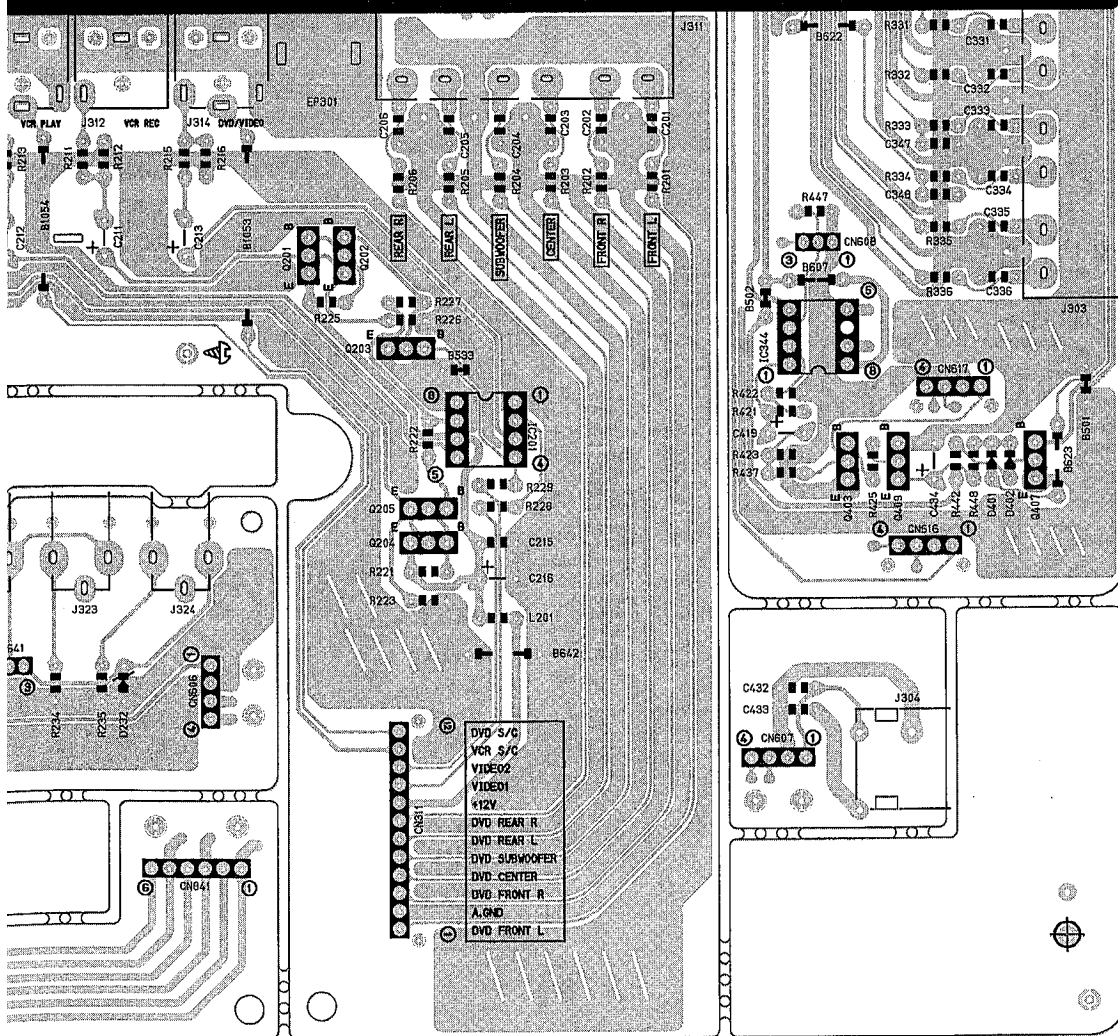
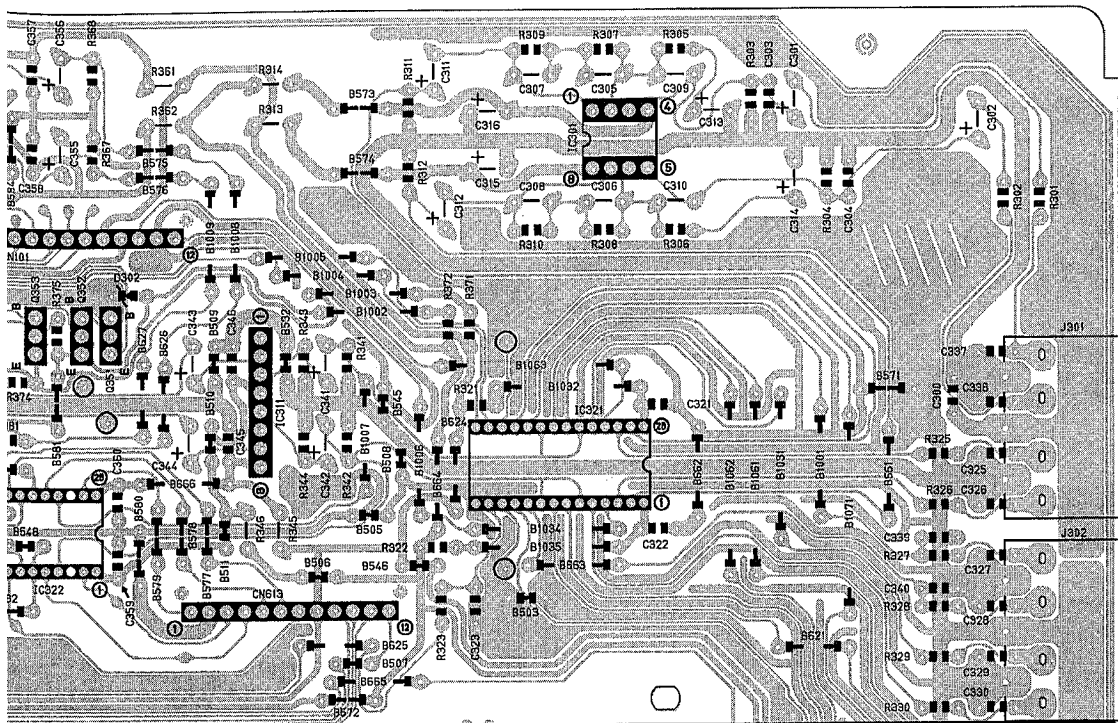
A

B

C

2-26

D



D | E | F | G | H

FRONT P.C.Board

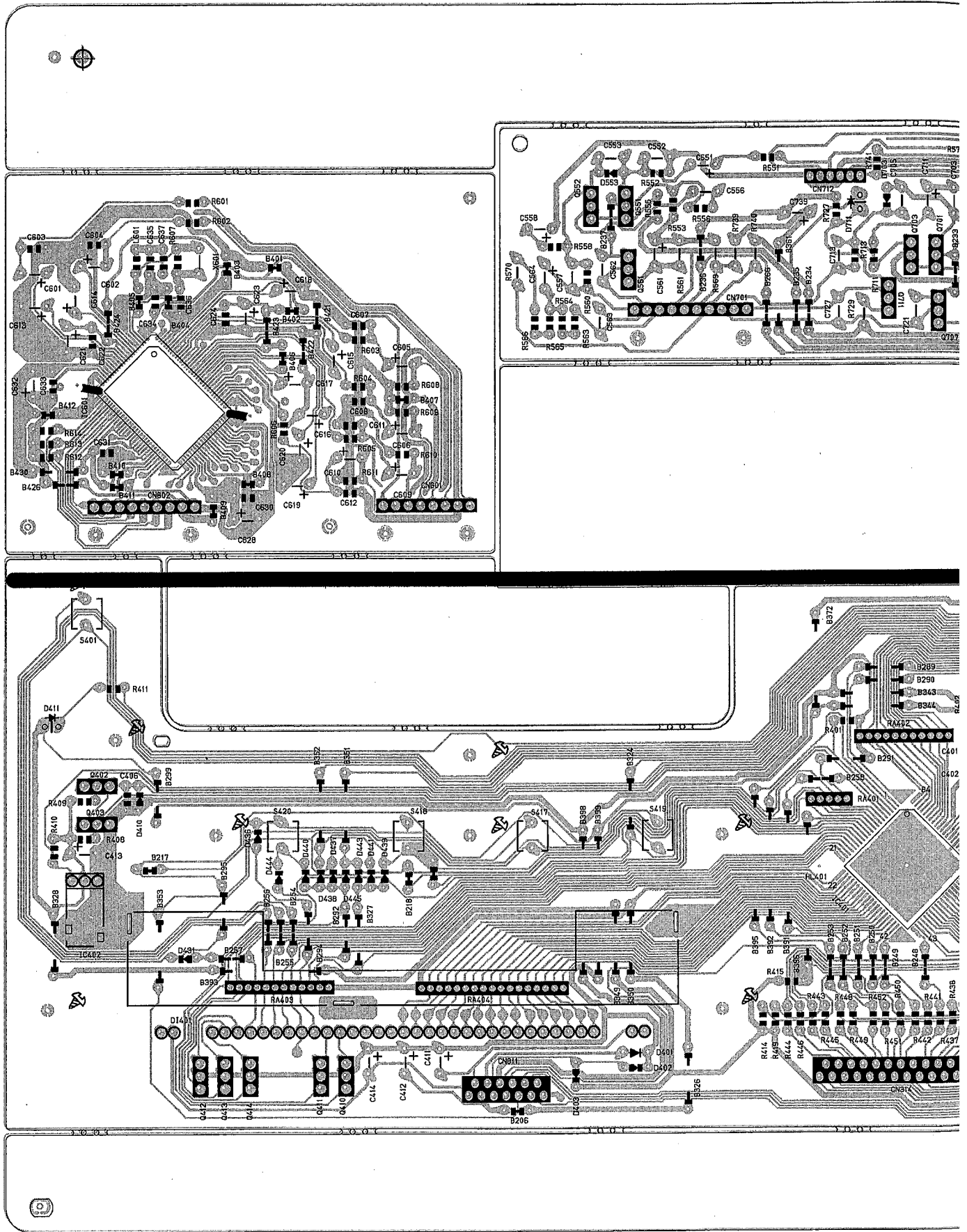
5

4

3

2

1

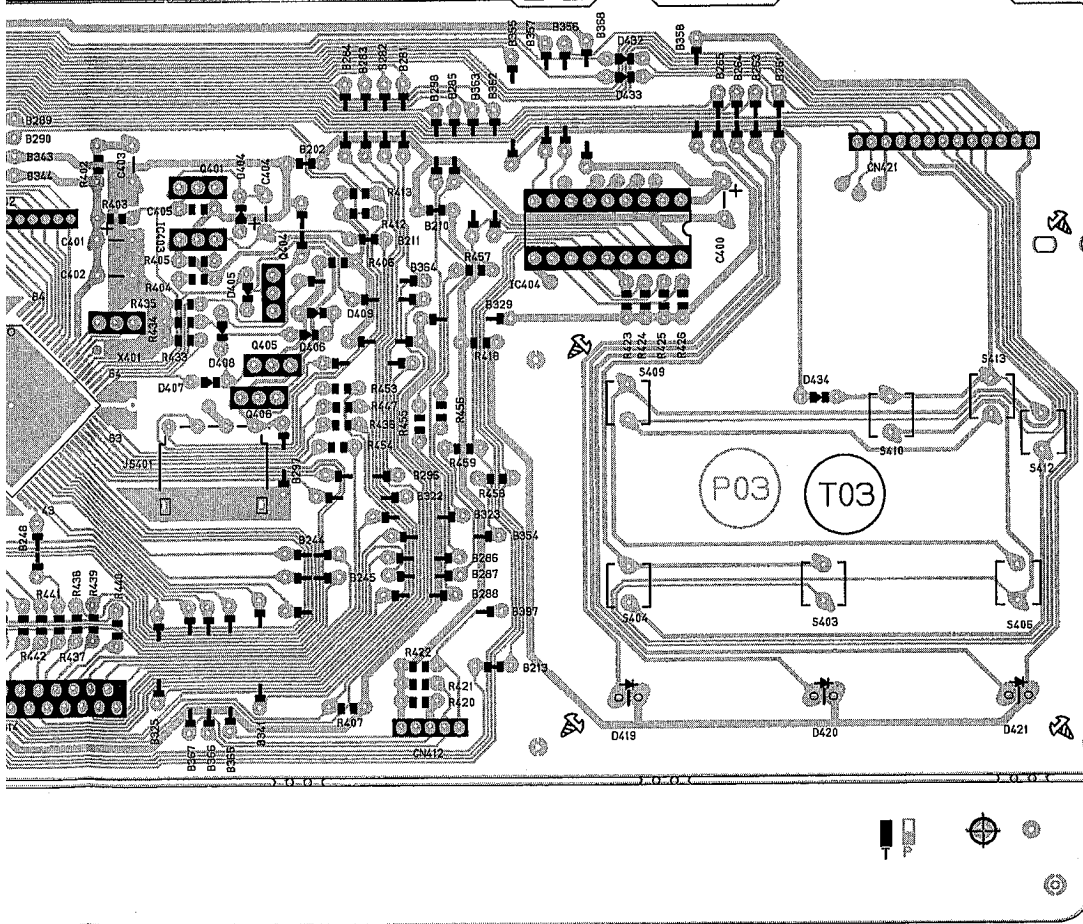
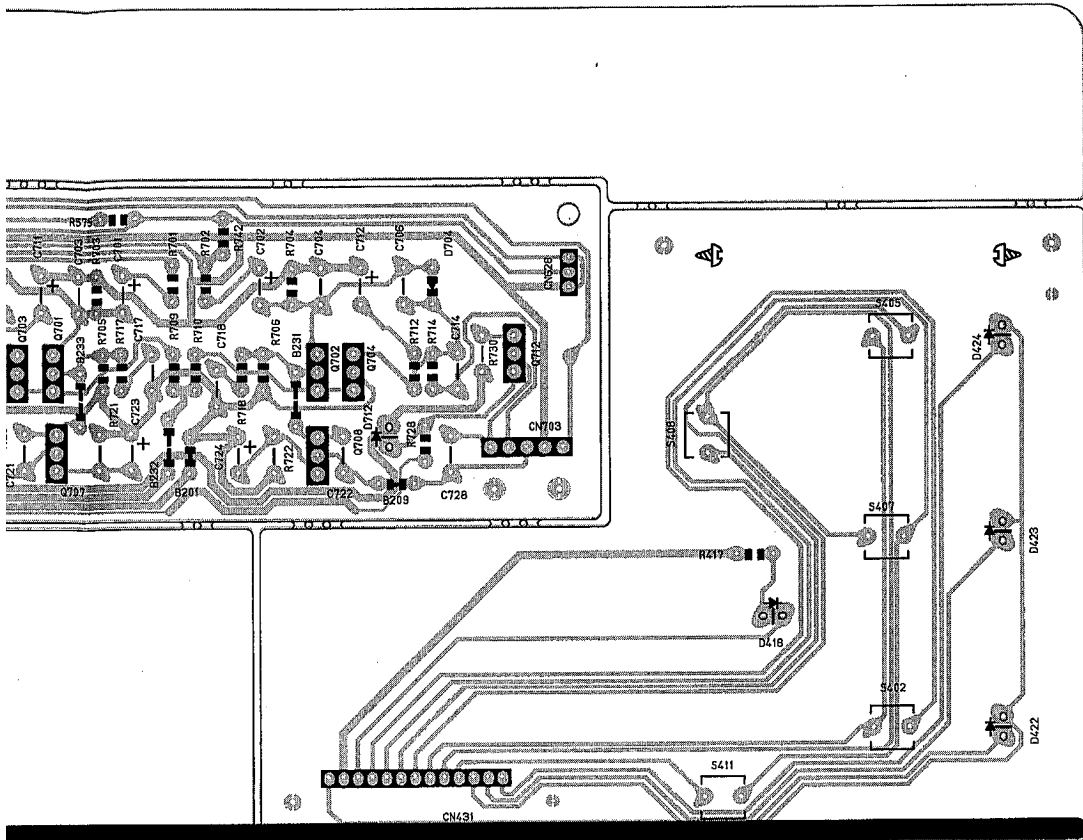


A

B

C

D



■ TUNER P.C.Board

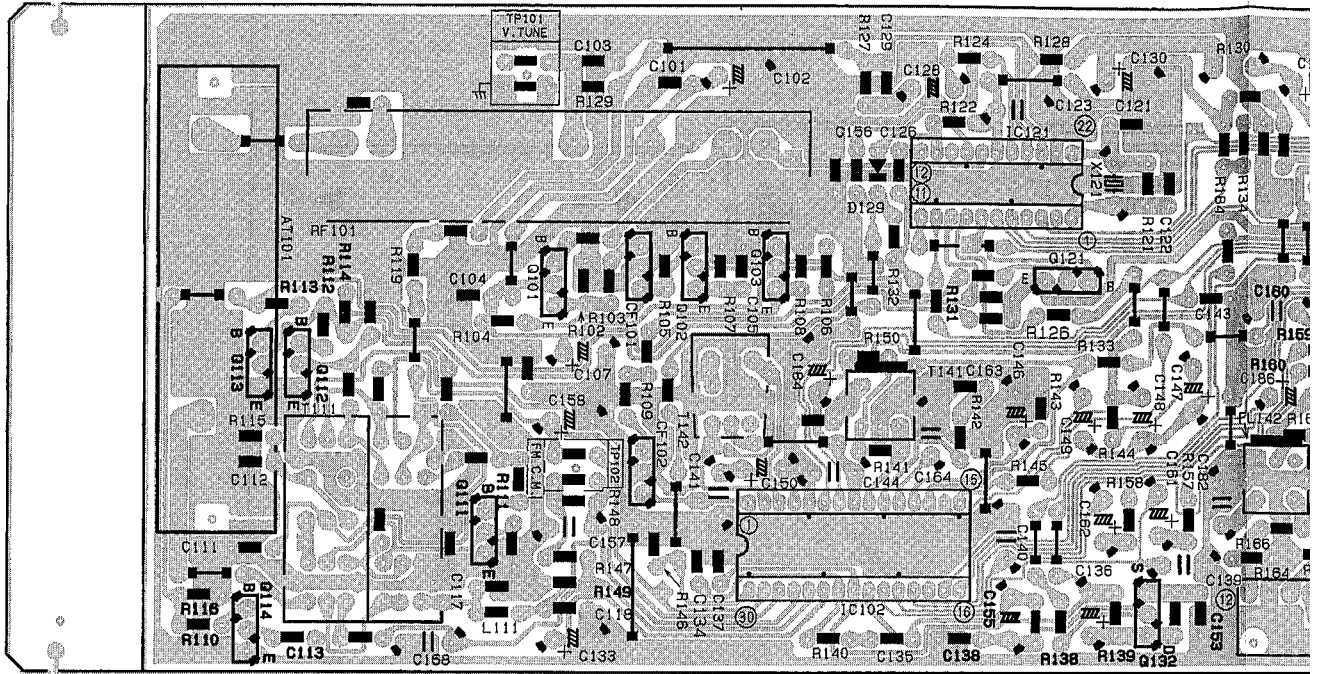
5

4

3

2

1



A

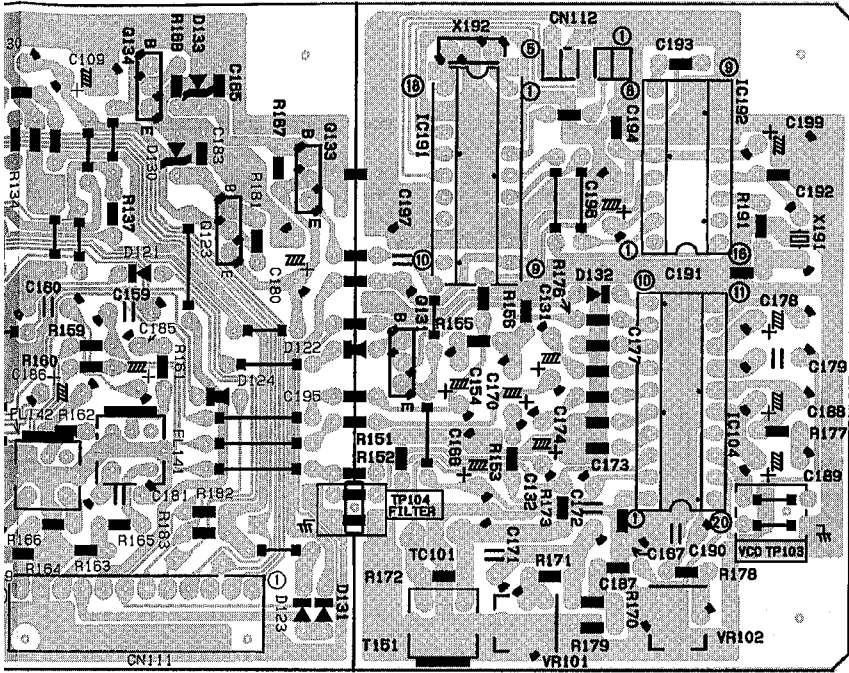
B

C

2-28

L





D

E

F

G

H



# PARTS LIST

[ RX-554VBK ]

\* All printed circuit boards and its assemblies are not available as service parts.

## The Marks for Designated Areas

J ---- the U.S.A.  
 C ---- Canada  
 UF -- China  
 US -- Singapore  
 UT -- Taiwan  
 U ---- Other Area

## - Contents -

General Exploded View and Parts List .....	3-2
Electrical Parts List .....	3-4
Tuner P.C.B. ....	3-4
Main P.C.B. ....	3-4
Control P.C.B. ....	3-7
Front P.C.B. ....	3-10
Accessories List .....	3-12
Packing Materials and Parts List .....	3-13

## Parts List

Block No. M1MM

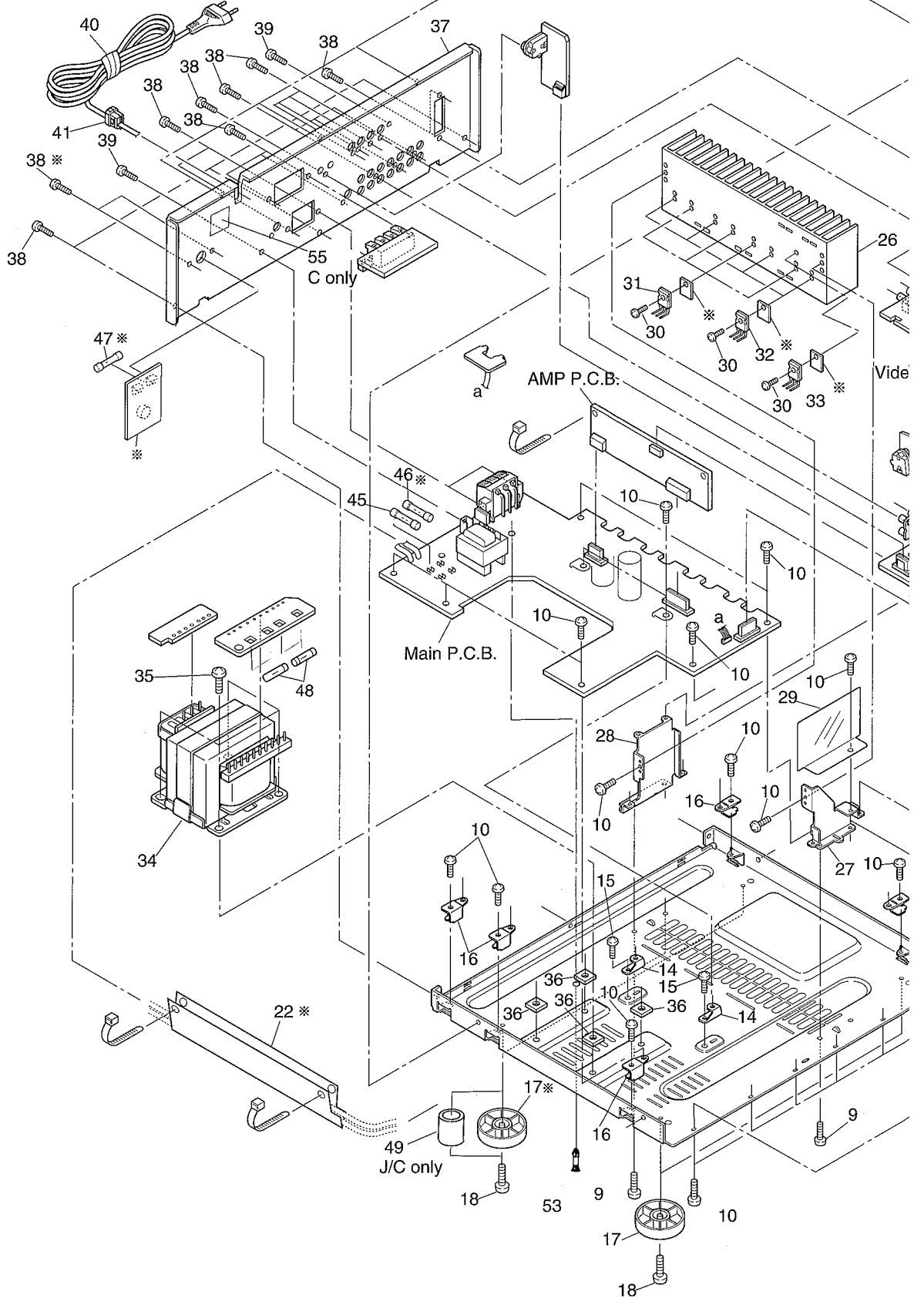
△	Item	Parts Number	Parts Name	Q'ty	Description	Area
	1	LE10079-011AKP	FRONT PANEL	1		C J
		LE10079-012AKP	FRONT PANEL	1		U UF US UT
	2	LE30359-001A	POWER BUTTON	1		U UF US UT
		LE30359-002A	POWER BUTTON	1		C J
	3	FSJD4001-002	INDICATOR LENS	1		
	4	LE20125-001A	PUSH BUTTON	1		
	5	LE40137-001A	INDICATOR LENS	7		
	7	E208294-001SM	PROTECT SHEET	1		U UF US UT
	8	QYSDSF2608Z	SCREW	11		
	9	QYSDSG3008M	SCREW	6		
	10	QYSBSG3008E	T. SCREW	33		
	11	LE10081-003A	CHASSIS BASE	1		
	12	LE20126-003A	FRONT BKT	1		
	13	LE30365-004A	BRACKET	1		
	14	E68587-223SM	P.W. BOARD BRACKET	2		
	15	QYSBST3006E	TAP. SCREW	4		C J
		QYSBST3006E	TAP. SCREW	6		U UF US UT
	16	LE40138-001A	GUIDE BRACKET	5		
	17	VJF4039-00MSM	FOOT ASSY	2		C J
		VJF4039-00MSM	FOOT ASSY	4		U UF US UT
	18	QYSBST3010Z	SCREW	4		
	19	E407321-002SM	PUSH BUTTON	2		C J
		E407321-002SM	PUSH BUTTON	3		U UF US UT
	20	LE40264-001A	PROTECTOR COVER	1		U UF US UT
	21	E310243-002	PLASTIC RIVET	1		U UF US UT
	22	LE40175-202A	PROTECTOR COVER	1		U UF US UT
	24	VKZ4150-001	NUT	1		
	25	VWF1227-30TTB	FLAT WIRE	1	FW304	
	26	E309840-005SM	HEAT SINK	1		U UF US UT
		E309840-007SM	HEAT SINK	1		C J
	27	E310171-001SM	HEAT SINK BRACKET	1		
	28	E310172-001SM	HEAT SINK BRACKET	1		
	29	LE40263-001A	PROTECTOR COVER	1		
	30	E73525-003	SCREW	9		
△	31	2SD2390LD/OPY//	SI. TRANSISTOR	4	Q507, Q575, Q761, Q762	
△	32	2SB1560LD/OPY//	SI. TRANSISTOR	4	Q508, Q576, Q763, Q764	
△	33	2SC4466LD/OPY//	SI. TRANSISTOR	1	Q831	
△	34	QQT0164-001KP	POWER TRANSFORMER	1		U UF US UT
△		QQT0188-001KP	TRANSFORMER	1		C J
	35	QYSDSTL4008E	SPECIAL SCREW	4		C J
		QYSDSTL4010E	SPECIAL SCREW	4		U UF US UT
	36	E406309-002	SPACER	4		U UF US UT
	37	LE20127-012AKP	REAR PANEL	1		C J
		LE20127-017AKP	REAR PANEL	1		U UF US
		LE20127-018AKP	REAR PANEL	1		UT
	38	QYSBSGY3008M	SPECIAL SCREW	21		C J
		QYSBSGY3008M	SPECIAL SCREW	23		U UF US UT
	39	QYSBST3006M	SCREW	2		
△	40	QMPR100-200-JC	POWER CORD	1		UF
△		QMP1D00-200H	POWER CORD	1		C J
△		QMP39E0-200	POWER CORD	1		U US
△		QMP7520-200	POWER CORD	1		UT
△	41	QHS3771-108	CORD STOPPER	1		
	42	LE20131-001A	METAL COVER	1		C J
		LE20131-002A	METAL COVER	1		U UF US UT
	43	E406308-003	SPECIAL SCREW	4		
	44	LV30414-001A	M. VOL KNOB	1		
△	45	QMF51E2-4R0-J1	FUSE	1	F801	U UF US UT
△		QMF51U1-4R0-J1	FUSE	1	F801	C J
△	46	QMF51A2-R10-S	FUSE	1	F802	U UF US UT
△	47	QMF51E2-2R0-J1	FUSE	1	F803	U UF US UT
△	48	QMF51U1-2R0-J1	FUSE	2	F811, F812	
	49	E47227-036	FOOT	2		C J
	50	E409530-001SM	P.W. BOARD HOLDER	1		
	51	E310243-002	PLASTIC RIVET	2		
	52	VWF1213-16TTB	FLAT WIRE	1	FW811	
	53	LV30384-001A	FASTENER	1		
	54	E409394-001	CAUTION LABEL	1		J
		E409396-001	CAUTION LABEL	1		C U UF US UT
	55	E65507-001	CAUTION LABEL	1		C
	57	LE30361-002A	WINDOW SCREEN	1		
	58	VJD5429-001	JVC MARK	1		



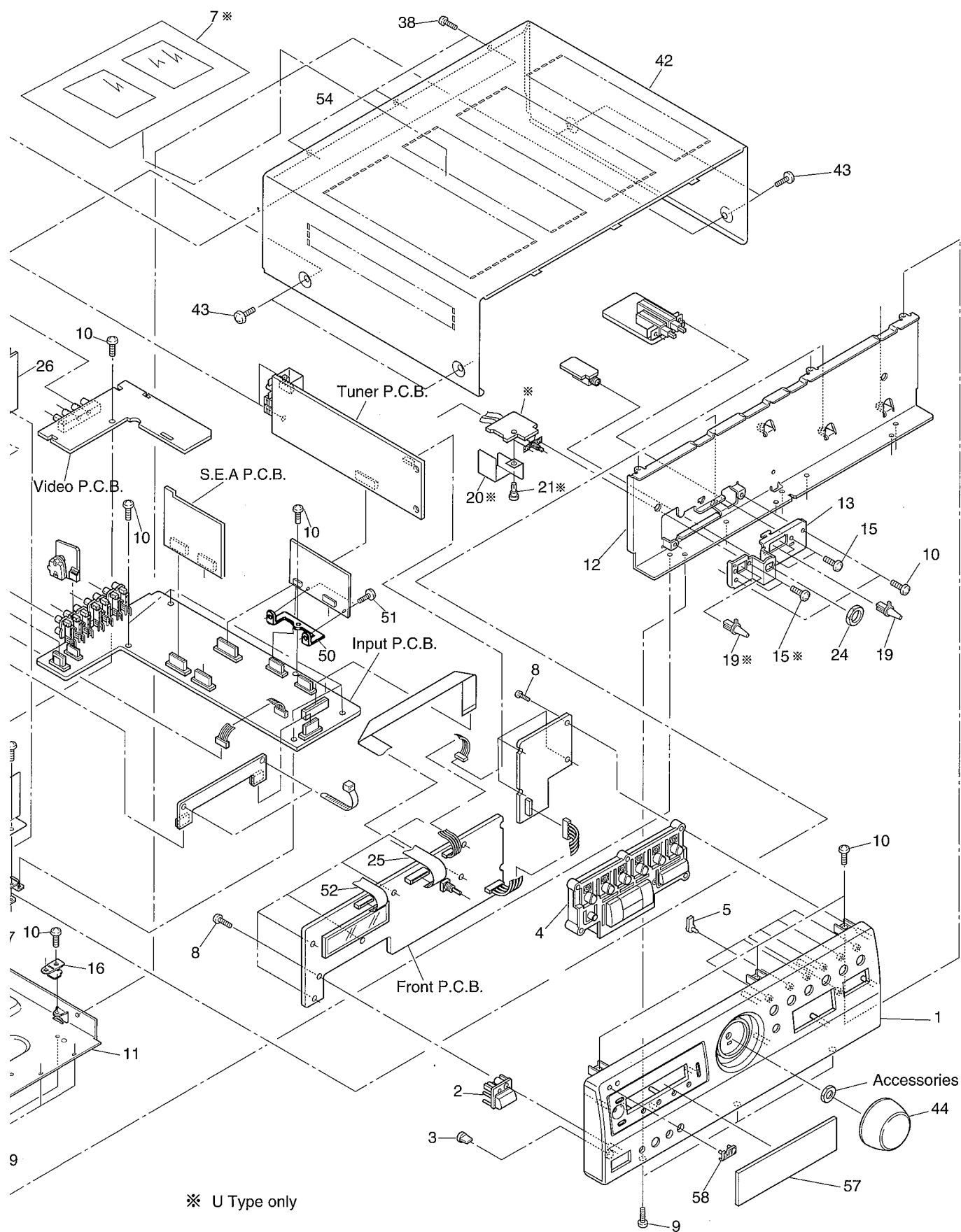
# General Exploded View and Parts List

Block No. **M** **1** **M** **M**

5  
4  
3  
2  
1



A | B | C | D



\* U Type only

■Electrical Parts List (TUNER P.C.B)

△	Item	Parts Number	Description	Area
		I. C. S		
	IC102	LA1837	I. C (MONO-ANALOG)	
	IC121	LC72131	I. C (M)	
		DIODES		
	D121	1SS133-T2	SI. DIODE	
	D123	1SS133-T2	SI. DIODE	
	D129	1SS133-T2	SI. DIODE	
	D130	MTZJ10C-T2	ZENER	
		TRANSISTORS		
	Q101	2SC461/BC/-T	SILICON	
	Q102	2SC535/BC/-T	SILICON	
	Q103	2SC461/BC/-T	SILICON	
	Q121	DTA124ES-T	SILICON	
	Q123	2SC2060/OR/-T	SILICON	
		CAPACITORS		
	C101	ODYB1CM-103Y	0.01MF 16V C CAP.	
	C102	OETC1EM-107Z	100MF 25V AL. E. CAP.	
	C103	QDVB1EZ-223Y	0.022MF 25V C CAP I M	
	C104	QDVB1EZ-223Y	0.022MF 25V C CAP I M	
	C105	QDVB1EZ-223Y	0.022MF 25V C CAP I M	
	C107	OETC1EM-226ZM	22MF 25V E. CAP.	
	C109	OETC1EM-226ZM	22MF 25V E. CAP.	
	C111	QDVB1EZ-223Y	0.022MF 25V C CAP I M	
	C112	QDCB1HJ-120Y	12PF 50V C CAP.	
	C117	QCSB1HK-5R6Y	5.6PF 50V CER. CAP.	
	C118	QCSB1HJ-150Y	15PF 50V CER. CAP.	
	C121	QDCB1HJ-180Y	18PF 50V C. CAP.	
	C122	QDCB1HJ-180Y	18PF 50V C. CAP.	
	C123	QDX31EM-473Z	0.047MF 25V C CAP.	
	C126	QCB1HK-101Y	100PF 50V CER. CAP.	
	C128	QENB1HM-474	0.47MF 50V NP E. CAP.	
	C129	QCSB1HK-102	1000PF 50V CER. CAP.	
	C130	OETC1EM-107Z	100MF 25V AL. E. CAP.	
	C133	OETC1EM-226ZM	22MF 25V E. CAP.	
	C134	QCB1HK-331Y	330PF 50V CER. CAP.	
	C135	QDVB1EZ-223Y	0.022MF 25V C CAP I M	
	C136	OETN1HM-105Z	1MF 50V AL. E. CAP.	
	C137	QCB1HK-221Y	220PF 50V CER. CAP.	C J
		QCB1HK-561Y	560PF 50V CER. CAP.	U UF US UT
	C139	QFLB1HJ-333	0.033MF 50V MYLAR CAP.	C J
		QFLB1HJ-223	0.022MF 50V MYLAR CAP.	U UF US UT
	C140	QFLB1HJ-333	0.033MF 50V MYLAR CAP.	C J
		QFLB1HJ-223	0.022MF 50V MYLAR CAP.	U UF US UT
	C141	QDX31EM-473Z	0.047MF 25V C CAP.	
	C143	QDVB1EZ-223Y	0.022MF 25V C CAP I M	
	C144	QDX31EM-473Z	0.047MF 25V C CAP.	
	C146	OETN1HM-105Z	1MF 50V AL. E. CAP.	
	C147	OETN1HM-105Z	1MF 50V AL. E. CAP.	
	C148	OETN1HM-474Z	0.47MF 50V AL. E. CAP.	
	C149	OETN1HM-105Z	1MF 50V AL. E. CAP.	
	C150	OETC1EM-226ZM	22MF 25V E. CAP.	
	C156	QDVB1EZ-223Y	0.022MF 25V C CAP I M	
	C157	QDX31EM-473Z	0.047MF 25V C CAP.	
	C158	OETC1EM-226ZM	22MF 25V E. CAP.	
	C161	OETN1HM-105Z	1MF 50V AL. E. CAP.	
	C162	OETN1HM-105Z	1MF 50V AL. E. CAP.	
	C163	QDVB1EZ-223Y	0.022MF 25V C CAP I M	
	C164	QDX31EM-473Z	0.047MF 25V C CAP.	
	C168	QFVJ1HJ-274Z	0.27MF 50V T. FILM	
	C180	OETC1EM-107Z	100MF 25V AL. E. CAP.	
	C181	QFLB1HJ-562	5600PF 50V MYLAR CAP.	
	C182	QFLB1HJ-562	5600PF 50V MYLAR CAP.	
	C183	QDVB1EZ-223Y	0.022MF 25V C CAP I M	

△	Item	Parts Number	Description	Area
	C184	OETC1EM-107Z	100MF 25V AL. E. CAP.	
	C185	OETN1HM-105Z	1MF 50V AL. E. CAP.	
	C186	OETN1HM-105Z	1MF 50V AL. E. CAP.	
		RESISTORS		
	R102	ORE141J-332Y	3.3K 1/4W R. NETWORK	
	R103	ORE141J-221Y	220 1/4W R. NETWORK	
	R104	ORE141J-272Y	2.7K 1/4W R. NETWORK	
	R105	ORE141J-391Y	390 1/4W R. NETWORK	
	R106	ORE141J-102Y	1K 1/4W R. NETWORK	
	R107	ORE141J-561Y	560 1/4W R. NETWORK	
	R108	ORE141J-332Y	3.3K 1/4W R. NETWORK	
	R109	ORE141J-221Y	220 1/4W R. NETWORK	
	R115	ORE141J-104Y	100K 1/4W R. NETWORK	
	R119	ORE141J-103Y	10K 1/4W R. NETWORK	
	R121	ORE141J-473Y	47K 1/4W R. NETWORK	
	R122	ORE141J-472Y	4.7K 1/4W R. NETWORK	
	R124	ORE141J-222Y	2.2K 1/4W R. NETWORK	
	R126	ORE141J-562Y	5.6K 1/4W R. NETWORK	
	R127	ORE141J-822Y	8.2K 1/4W R. NETWORK	
	R128	ORE141J-472Y	4.7K 1/4W R. NETWORK	
	R129	ORE141J-222Y	2.2K 1/4W R. NETWORK	
	R130	ORJ146J-680X	68 1/4W R. NETWORK	C J
		QRZ9005-680X	68 FUSIBLE	U UF US UT
	R132	ORE141J-102Y	1K 1/4W R. NETWORK	
	R133	ORE141J-822Y	8.2K 1/4W R. NETWORK	
	R134	ORE141J-102Y	1K 1/4W R. NETWORK	
	R140	ORE141J-183Y	18K 1/4W R. NETWORK	
	R141	ORE141J-472Y	4.7K 1/4W R. NETWORK	
	R142	ORE141J-470Y	47 1/4W R. NETWORK	
	R143	ORE141J-562Y	5.6K 1/4W R. NETWORK	
	R144	ORE141J-332Y	3.3K 1/4W R. NETWORK	
	R145	ORE141J-103Y	10K 1/4W R. NETWORK	
	R146	ORE141J-332Y	3.3K 1/4W R. NETWORK	
	R147	ORE141J-153Y	15K 1/4W R. NETWORK	C J
		ORE141J-273Y	27K 1/4W R. NETWORK	U UF US UT
	R148	ORE141J-561Y	560 1/4W R. NETWORK	
	R150	ORE141J-101Y	100 1/4W R. NETWORK	
	R157	ORE141J-682Y	6.8K 1/4W R. NETWORK	
	R158	ORE141J-682Y	6.8K 1/4W R. NETWORK	
	R161	ORE141J-102Y	1K 1/4W R. NETWORK	
	R162	ORE141J-102Y	1K 1/4W R. NETWORK	
	R163	ORE141J-472Y	4.7K 1/4W R. NETWORK	
	R164	ORE141J-472Y	4.7K 1/4W R. NETWORK	
	R181	ORE141J-102Y	1K 1/4W R. NETWORK	
	R182	ORE141J-103Y	10K 1/4W R. NETWORK	
	R183	ORE141J-103Y	10K 1/4W R. NETWORK	
	R184	ORE141J-103Y	10K 1/4W R. NETWORK	
		OTHER		
	L111	Q0L231K-150Y	INDUCTOR I. M	
	T111	Q0R0592-001	RF COIL	
	T141	Q0R0613-001	I. F. TRANSFORMER	
	T142	QAX0303-001	CERAMIC FILTER	
	X121	QAX0259-001Z	RESONATOR I. M	
	AT101	QNB0008-001	ANT TERMINAL	
	CF101	QAX0284-001Z	CERAMIC FILTER	C J
		QAX0285-001Z	CERAMIC FILTER	U UF US UT
	CF102	QAX0284-001Z	CERAMIC FILTER	C J
		QAX0285-001Z	CERAMIC FILTER	U UF US UT
	CN111	QGB2510K1-12	CONNECTOR	
	FL141	Q0R0590-001	FILTER	
	FL142	Q0R0590-001	FILTER	
	RF101	EAF2207-001	FRONT END	



Electrical Parts List (MAIN P.C.B)

△	Item	Parts Number	Description	Area
		I.C.S		
	IC831	NJM78M05FA	I.C (MONO-ANALOG)	
		DIODES		
	D503	1SS133-T2	SI. DIODE	
	D511	1SS133-T2	SI. DIODE	
	D512	1SS133-T2	SI. DIODE	
	D531	1SS133-T2	SI. DIODE	
	D585	1SS133-T2	SI. DIODE	
	D586	1SS133-T2	SI. DIODE	
	D591	1SS133-T2	SI. DIODE	
	D781	1SS133-T2	SI. DIODE	
	D782	1SS133-T2	SI. DIODE	
	D783	1SS133-T2	SI. DIODE	
	D784	1SS133-T2	SI. DIODE	
	D801	1SR139-200-T4	SILICON	
	D802	1SR139-200-T4	SILICON	
	D803	1SR139-200-T4	SILICON	
	D804	1SR139-200-T4	SILICON	
	D805	MTZJ12C-T2	ZENER	U UF US UT
	D806	1SS133-T2	SI. DIODE	
	D807	MTZJ6.2C-T2	ZENER	
	D808	1SS133-T2	SI. DIODE	
△	D811	10E2-FD	DIODE	
△	D812	10E2-FD	DIODE	
	D822	MTZJ13C-T2	ZENER	
	D831	MTZJ7.5C-T2	ZENER	
	D832	MTZJ3.3B-T2	ZENER	U UF US UT
	D840	MTZJ10C-T2	ZENER	
	D841	MTZJ16C-T2	ZENER	
	D851	MTZJ13C-T2	ZENER	
△	D861	30DF2-FC	SILICON	U UF US UT
△		30D2-FC	SILICON	C J
△	D862	30DF2-FC	SILICON	U UF US UT
△		30D2-FC	SILICON	C J
△	D863	30DF2-FC	SILICON	U UF US UT
△		30D2-FC	SILICON	C J
△	D864	30DF2-FC	SILICON	U UF US UT
△		30D2-FC	SILICON	C J
	D885	MTZJ6.2C-T2	ZENER	
	D891	MTZJ6.2C-T2	ZENER	
	D901	1SS133-T2	SI. DIODE	
	D902	1SS133-T2	SI. DIODE	
	D921	1SS133-T2	SI. DIODE	
	D925	1SS133-T2	SI. DIODE	
	D951	1SS133-T2	SI. DIODE	
	D953	1SS133-T2	SI. DIODE	
	D954	1SS133-T2	SI. DIODE	
		TRANSISTORS		
	0501	2SC2240/L/-T	SILICON	
	0502	2SC2240/L/-T	SILICON	
	0503	2SA1038S/SE/-T	SILICON	
	0509	2SA1038S/SE/-T	SILICON	
	0511	2SC2389S/SE/-T	SILICON	
	0512	2SA1038S/SE/-T	SILICON	
	0540	2SD636/OR/	SILICON	
	0568	2SD636/OR/	SILICON	
	0585	2SC2389S/SE/-T	SILICON	
	0586	2SA1038S/SE/-T	SILICON	
	0591	2SA1038S/SE/-T	SILICON	
	0741	2SD636/OR/	SILICON	
	0742	2SD636/OR/	SILICON	
	0781	2SC2389S/SE/-T	SILICON	
	0782	2SC2389S/SE/-T	SILICON	
	0783	2SA1038S/SE/-T	SILICON	
	0784	2SA1038S/SE/-T	SILICON	

△	Item	Parts Number	Description	Area
	0802	2SC2235/OY/-T	SILICON	
	0803	DTC123YS-T	SILICON	
	0805	2SD1266/O/	SILICON	U UF US UT
△	0821	2SB1187/EF/	SILICON	
△	0841	2SB1187/EF/	SILICON	
△	0851	2SD2061/EF/	SILICON	
	0885	2SC2240/GL/-T	SILICON	
△	0891	2SD2061/EF/	SILICON	
	0901	2SA1038S/SE/-T	SILICON	
	0902	2SA1038S/SE/-T	SILICON	
	0903	DTC123YS-T	SILICON	
	0904	2SC1740S/RS/-T	SILICON	
	0905	2SC2389S/SE/-T	SILICON	
	0906	2SA1038S/SE/-T	SILICON	
	0951	DTC123YS-T	SILICON	
		CAPACITORS		
△	C001	QCZ9019-472	4700PF C. CAP.	U UF US UT
	C501	QETB1HM-106	10MF 50V E. CAP.	
	C502	QCS21HJ-271A	270PF 50V CER. CAP.	
	C503	QCS21HJ-101A	100PF 50V CER. CAP.	
	C504	QCB21HK-152Z	1500PF 50V CERAMIC	
	C507	QCS21HJ-220A	22PF 50V CER. CAP.	
	C508	QETB1CM-476	47MF 16V AL. E. CAP.	
	C511	QETB1HM-225	2.2MF 50V AL. E. CAP.	
	C512	QFLB1HJ-103	0.01MF 50V MYLAR CAP.	
	C513	QCS22HJ-330	33PF 500V CER. CAP.	
	C514	QETB1HM-476	47MF 50V E. CAP.	
	C517	QETB2AM-106	10MF 100V AL. E. CAP.	
	C521	QCS22HJ-470A	47PF 500V CER. CAP.	
	C522	QCS22HJ-470A	47PF 500V CER. CAP.	
	C543	QFLB1HJ-473	0.047MF 50V MYLAR CAP.	C U UF US UT
	C544	QFLB1HJ-223	0.022MF 50V MYLAR CAP.	J
		QFLB1HJ-473	0.047MF 50V MYLAR CAP.	C U UF US UT
	C571	QCS22HJ-470A	47PF 500V CER. CAP.	
	C572	QCS22HJ-470A	47PF 500V CER. CAP.	
	C581	QFLB1HJ-473	0.047MF 50V MYLAR CAP.	C U UF US UT
	C582	QFLB1HJ-223	0.022MF 50V MYLAR CAP.	J
		QFLB1HJ-473	0.047MF 50V MYLAR CAP.	C U UF US UT
	C751	QCS22HJ-470A	47PF 500V CER. CAP.	
	C752	QCS22HJ-470A	47PF 500V CER. CAP.	
	C753	QCS22HJ-470A	47PF 500V CER. CAP.	
	C754	QCS22HJ-470A	47PF 500V CER. CAP.	
	C771	QFLB1HJ-473	0.047MF 50V MYLAR CAP.	C U UF US UT
	C772	QFLB1HJ-473	0.047MF 50V MYLAR CAP.	C U UF US UT
	C773	QFLB1HJ-223	0.022MF 50V MYLAR CAP.	J
		QFLB1HJ-473	0.047MF 50V MYLAR CAP.	C U UF US UT
	C774	QFLB1HJ-223	0.022MF 50V MYLAR CAP.	J
		QFLB1HJ-473	0.047MF 50V MYLAR CAP.	C U UF US UT
	C801	QFN82AK-472	4700PF 100V METAL. MYLAR	
	C802	QETB1JM-477	470MF 63V E. CAP.	U UF US UT
		QETN1EM-477Z	470MF 25V AL. E. CAP.	C J
	C803	QETB1AM-477	470MF 10V E. CAP.	U UF US UT
		QETB1CM-476	47MF 16V AL. E. CAP.	C J
△	C804	QCZ9019-472	4700PF C. CAP.	
	C811	QETB1VM-228N	2200MF 35V E. CAP.	
	C812	QFN82AJ-104	0.1MF 100V MYLAR CAP.	
	C813	QFN82AJ-104	0.1MF 100V MYLAR CAP.	
	C816	QCF31HZ-223Z	0.022MF 50V CERAMIC	
	C817	QCF31HZ-223Z	0.022MF 50V CERAMIC	
	C821	QETB1HM-476	47MF 50V E. CAP.	
	C822	QETB1HM-476	47MF 50V E. CAP.	
	C831	QETB1EM-107	100MF 25V AL. E. CAP.	
	C832	QFVJ1HJ-334Z	0.33MF 50V T.F.I.L.M	
	C833	QFLB1HJ-104	0.1MF 50V MYLAR CAP.	
	C840	QETB1HM-476	47MF 50V E. CAP.	



Electrical Parts List (MAIN P.C.B)

Δ	Item	Parts Number	Description	Area
	C841	OETB1HM-476	47MF 50V E. CAP.	
	C845	OETB1EM-476	47MF 50V E. CAP.	
	C853	OETB1EM-107	100MF 25V AL E. CAP.	
	C854	OETB1EM-107	100MF 25V AL E. CAP.	
Δ	C861	OEZ0225-478	4700MF E. CAP.	U UF US UT
Δ		OEZ0341-688	6800MF E. CAP.	C J
Δ	C862	OEZ0225-478	4700MF E. CAP.	U UF US UT
Δ		OEZ0341-688	6800MF E. CAP.	C J
	C863	OCE22HP-103A	0.01MF 500V CER. CAP.	C J
		OFN82CK-104	0.1MF 160V METAL. MYLAR	U UF US UT
	C864	OCE22HP-103A	0.01MF 500V CER. CAP.	C J
		OFN82CK-104	0.1MF 160V METAL. MYLAR	U UF US UT
	C865	OFN82CK-104	0.1MF 160V METAL. MYLAR	
	C885	OETB1HM-105	1MF 50V AL E. CAP.	
	C896	OETB1EM-107	100MF 25V AL E. CAP.	
	C897	OETB1EM-107	100MF 25V AL E. CAP.	
	C903	OETB1CM-476	47MF 16V AL E. CAP.	
	C904	OETB1EM-106	10MF 25V AL E. CAP.	
	C961	OCBB1HK-331Y	330PF 50V CER. CAP.	
	C962	OCBB1HK-331Y	330PF 50V CER. CAP.	
		RESISTORS		
	R001	ORE141J-103Y	10K 1/4W R. NETWORK	U UF US UT
	R002	ORE141J-103Y	10K 1/4W R. NETWORK	U UF US UT
	R003	ORE141J-103Y	10K 1/4W R. NETWORK	U UF US UT
	R501	ORE141J-222Y	2.2K 1/4W R. NETWORK	
	R502	ORE141J-563Y	56K 1/4W R. NETWORK	
	R503	ORE141J-302Y	3K 1/4W R. NETWORK	
	R504	ORE141J-101Y	100 1/4W R. NETWORK	
	R505	ORE141J-183Y	18K 1/4W R. NETWORK	
	R507	ORE141J-563Y	56K 1/4W R. NETWORK	
	R508	ORE141J-391Y	390 1/4W R. NETWORK	C J
		ORE141J-431Y	430 1/4W R. NETWORK	U UF US UT
Δ	R511	ORJ146J-331X	330 1/4W R. NETWORK	
	R512	ORE141J-332Y	3.3K 1/4W R. NETWORK	
	R513	ORE141J-332Y	3.3K 1/4W R. NETWORK	
	R514	ORE141J-332Y	3.3K 1/4W R. NETWORK	
	R515	ORE141J-332Y	3.3K 1/4W R. NETWORK	
Δ	R517	ORJ146J-100X	10 1/4W R. NETWORK	
Δ	R518	ORJ146J-100X	10 1/4W R. NETWORK	
Δ	R523	ORJ146J-100X	10 1/4W R. NETWORK	
Δ	R524	ORJ146J-100X	10 1/4W R. NETWORK	
Δ	R527	ORZ0195-R22	0.22 1W FUSIBLE RES.	
Δ	R528	ORJ129J-330	33 1/2W R. NETWORK	
	R531	ORE141J-102Y	1K 1/4W R. NETWORK	
	R532	ORE141J-183Y	18K 1/4W R. NETWORK	
	R533	ORE141J-123Y	12K 1/4W R. NETWORK	
	R541	ORE141J-471Y	470 1/4W R. NETWORK	
	R542	ORE141J-361Y	360 1/4W R. NETWORK	
	R543	ORE141J-181Y	180 1/4W R. NETWORK	
	R544	ORE141J-181Y	180 1/4W R. NETWORK	
	R545	ORE141J-181Y	180 1/4W R. NETWORK	
	R546	ORE141J-181Y	180 1/4W R. NETWORK	
Δ	R547	ORL022J-100	10 2W R. NETWORK	
	R548	ORE141J-104Y	100K 1/4W R. NETWORK	
	R549	ORE141J-301Y	300 1/4W R. NETWORK	
	R562	ORE141J-471Y	470 1/4W R. NETWORK	
	R567	ORE141J-361Y	360 1/4W R. NETWORK	
Δ	R571	ORJ146J-100X	10 1/4W R. NETWORK	
Δ	R572	ORJ146J-100X	10 1/4W R. NETWORK	
	R576	ORE141J-301Y	300 1/4W R. NETWORK	
Δ	R577	ORZ0195-R22	0.22 1W FUSIBLE RES.	
Δ	R581	ORJ129J-330	33 1/2W R. NETWORK	
Δ	R582	ORL022J-100	10 2W R. NETWORK	
	R585	ORE141J-181Y	180 1/4W R. NETWORK	
	R586	ORE141J-181Y	180 1/4W R. NETWORK	

Δ	Item	Parts Number	Description	Area
	R587	ORE141J-181Y	180 1/4W R. NETWORK	
	R588	ORE141J-181Y	180 1/4W R. NETWORK	
	R591	ORE141J-102Y	1K 1/4W R. NETWORK	
	R592	ORE141J-183Y	18K 1/4W R. NETWORK	
	R593	ORE141J-473Y	47K 1/4W R. NETWORK	
	R594	ORE141J-104Y	100K 1/4W R. NETWORK	
	R743	ORE141J-471Y	470 1/4W R. NETWORK	
	R744	ORE141J-471Y	470 1/4W R. NETWORK	
	R745	ORE141J-361Y	360 1/4W R. NETWORK	
	R746	ORE141J-361Y	360 1/4W R. NETWORK	
	R747	ORE141J-471Y	470 1/4W R. NETWORK	
	R748	ORE141J-471Y	470 1/4W R. NETWORK	
Δ	R751	ORJ146J-100X	10 1/4W R. NETWORK	
Δ	R752	ORJ146J-100X	10 1/4W R. NETWORK	
Δ	R753	ORJ146J-100X	10 1/4W R. NETWORK	
Δ	R754	ORJ146J-100X	10 1/4W R. NETWORK	
Δ	R771	ORZ0195-R22	0.22 1W FUSIBLE RES.	
Δ	R772	ORZ0195-R22	0.22 1W FUSIBLE RES.	
Δ	R773	ORJ129J-330	33 1/2W R. NETWORK	
Δ	R774	ORJ129J-330	33 1/2W R. NETWORK	
Δ	R775	ORL022J-100	10 2W R. NETWORK	
Δ	R776	ORL022J-100	10 2W R. NETWORK	
	R781	ORE141J-181Y	180 1/4W R. NETWORK	
	R782	ORE141J-181Y	180 1/4W R. NETWORK	
	R783	ORE141J-181Y	180 1/4W R. NETWORK	
	R784	ORE141J-181Y	180 1/4W R. NETWORK	
	R785	ORE141J-121Y	120 1/4W R. NETWORK	
	R786	ORE141J-121Y	120 1/4W R. NETWORK	
	R787	ORE141J-121Y	120 1/4W R. NETWORK	
	R788	ORE141J-121Y	120 1/4W R. NETWORK	
Δ	R800	ORZ9044-335	3.3M COMPOSITION	C J
Δ	R801	ORJ146J-100X	10 1/4W R. NETWORK	C J
Δ		ORZ9015-3R3	3.3 COMPOSITION	U UF US UT
Δ	R803	ORJ146J-821X	820 1/4W R. NETWORK	
Δ	R805	ORJ146J-100X	10 1/4W R. NETWORK	C J
Δ	R806	ORJ146J-153X	15K 1/4W R. NETWORK	U UF US UT
Δ	R807	ORL012J-332	3.3K 1W R. NETWORK	U UF US UT
Δ	R808	ORJ146J-2R7X	2.7 1/4W R. NETWORK	U UF US UT
Δ		ORJ146J-3R3X	3.3 1/4W R. NETWORK	C J
Δ	R821	ORJ146J-100X	10 1/4W R. NETWORK	
Δ	R822	ORJ146J-182X	1.8K 1/4W R. NETWORK	
Δ	R830	ORZ9006-4R7X	4.7 FUSIBLE	U UF US UT
Δ	R831	ORL022J-100	10 2W R. NETWORK	C J
Δ		ORZ9006-4R7X	4.7 FUSIBLE	U UF US UT
Δ	R832	ORJ146J-272X	2.7K 1/4W R. NETWORK	
Δ	R840	ORJ146J-220X	22 1/4W R. NETWORK	
Δ	R841	ORJ146J-100X	10 1/4W R. NETWORK	C J
Δ		ORZ9005-100X	10 FUSIBLE	U UF US UT
Δ	R842	ORJ146J-472X	4.7K 1/4W R. NETWORK	
Δ	R843	ORJ146J-100X	10 1/4W R. NETWORK	C J
Δ	R845	ORJ146J-102X	1K 1/4W R. NETWORK	
Δ	R853	ORK126J-100X	10 1/2W UNF. CARBON R	C J
Δ		ORZ9006-4R7X	4.7 FUSIBLE	U UF US UT
Δ	R854	ORK126J-562X	5.6K 1/2W R. NETWORK	
	R861	ORE141J-104Y	100K 1/4W R. NETWORK	
	R862	ORE141J-104Y	100K 1/4W R. NETWORK	
	R885	ORE141J-104Y	100K 1/4W R. NETWORK	
Δ	R891	ORJ146J-100X	10 1/4W R. NETWORK	C J
Δ		ORZ9005-100X	10 FUSIBLE	U UF US UT
Δ	R892	ORJ146J-272X	2.7K 1/4W R. NETWORK	
	R901	ORE141J-102Y	1K 1/4W R. NETWORK	
	R902	ORE141J-102Y	1K 1/4W R. NETWORK	
	R903	ORE141J-153Y	15K 1/4W R. NETWORK	
	R904	ORE141J-153Y	15K 1/4W R. NETWORK	
	R905	ORE141J-473Y	47K 1/4W R. NETWORK	

## Electrical Parts List (MAIN P.C.B)

△	Item	Parts Number	Description	Area
	R906	ORE141J-473Y	47K 1/4W R.NETWORK	
	R909	ORE141J-104Y	100K 1/4W R.NETWORK	
	R910	ORE141J-823Y	82K 1/4W R.NETWORK	
	R911	ORE141J-103Y	10K 1/4W R.NETWORK	
	R915	ORE141J-103Y	10K 1/4W R.NETWORK	
	R916	ORE141J-104Y	100K 1/4W R.NETWORK	
	R917	ORE141J-103Y	10K 1/4W R.NETWORK	
	R918	ORE141J-104Y	100K 1/4W R.NETWORK	
△	R921	QRJ146J-220X	22 1/4W R.NETWORK	
△	R951	QRJ146J-220X	22 1/4W R.NETWORK	
△	R961	ORL022J-471	470 2W R.NETWORK	
△	R962	ORL022J-471	470 2W R.NETWORK	
	VR741	QVPO004-102Z	1K VARIABLE	
	VR742	QVPO004-102Z	1K VARIABLE	
		OTHERS		
		QWE880-15RR	VINYL WIRE	U UF US UT
		QWE880-38RR	VINYL WIRE	U UF US UT
		QWE881-16RR	VINYL WIRE	
		QWE882-15RR	VINYL WIRE	U UF US UT
		QWE882-38RR	VINYL WIRE	U UF US UT
		QWE883-15RR	VINYL WIRE	U UF US UT
		QWE884-15RR	VINYL WIRE	U UF US UT
		QWE886-16RR	PIN WIRE	
		QWE888-15RR	VINYL WIRE	U UF US UT
		QWE889-15RR	VINYL WIRE	U UF US UT
		QYSBSG3008E	T.SCREW	
	J961	ONS0023-001	JACK	
	L501	QQLZ005-R45	INDUCTOR	
	L581	QQLZ005-R45	INDUCTOR	
	L771	QQLZ005-R45	INDUCTOR	
	L772	QQLZ005-R45	INDUCTOR	
	S001	QSW0650-001	PUSH SWITCH	U UF US UT
	S901	QSW0653-001	PUSH SWITCH	
△	T801	ETP1000-41JA	POWER TRANSFORMER	C J
△		ETP1000-41ZB	POWER TRANSFORMER	U UF US UT
	CN711	QGB2510J1-10	CONNECTOR	
	CN713	QGB2510J1-05	CONNECTOR	
	CN811	QGF1205C1-13	CONNECTOR	
	CN831	QGD2501C1-03Z	SOCKET	
	CN851	QGB2510J1-06	CONNECTOR	
	EP110	QNZ0136-001Z	1M EARTH PLATE	
	EP500	QNZ0136-001Z	1M EARTH PLATE	
	EP800	E409182-001SM	EARTH TERMINAL	
	EP961	QNZ0136-001Z	1M EARTH PLATE	
	FC801	QNG0020-001Z	FUSE CLIP 1.M	
	FC802	QNG0020-001Z	FUSE CLIP 1.M	
	FC803	QNG0020-001Z	FUSE CLIP 1.M	U UF US UT
	FC804	QNG0020-001Z	FUSE CLIP 1.M	U UF US UT
	FC805	QNG0020-001Z	FUSE CLIP 1.M	U UF US UT
	FC806	QNG0020-001Z	FUSE CLIP 1.M	U UF US UT
	FC810	QNG0020-001Z	FUSE CLIP 1.M	
	FC811	QNG0020-001Z	FUSE CLIP 1.M	
	FC812	QNG0020-001Z	FUSE CLIP 1.M	
	FC813	QNG0020-001Z	FUSE CLIP 1.M	
	FW801	EWR33D-13SS	FLAT WIRE	
	FW831	EWR33D-10LS	FLAT WIRE	
	FW901	EWR36D-40SS	CORD	
	FW902	EWR35B-16SST	FLAT WIRE	
	FW961	EWR33D-10SS	CORD	
	HS805	E70945-H40B	HEAT SINK	U UF US UT
	HS841	E70306-001	HEAT SINK	
	HS851	E70945-H40B	HEAT SINK	
	HS891	E70306-001	HEAT SINK	
△	LA101	E67132-T4R0	FUSE LABEL	U UF US UT
△	LA811	E67132-T2R0	FUSE LABEL	U UF US UT

△	Item	Parts Number	Description	Area
△	LA812	E67132-T2R0	FUSE LABEL	U UF US UT
△	RY801	OSK0055-001	RELAY	
	RY921	OSK0057-001	RELAY	
	RY951	OSK0057-001	RELAY	
	ST901	QNB0007-001	SPK TERMINAL	
	ST951	QNB0013-001	SPK TERMINAL	
	TA801	QNZ0079-001Z	TAB 1.M	
	TA802	QNZ0079-001Z	TAB 1.M	
	TH540	QAD0012-202	THERMISTOR	
	TH568	QAD0012-202	THERMISTOR	
	TH749	QAD0012-202	THERMISTOR	
	TH750	QAD0012-202	THERMISTOR	
	TP001	QMV5005-004K	PLUG ASSY	
	VS801	OSW0524-001	LEVER SWITCH	U UF US UT

■ Electrical Parts List (CONTROL P.C.B)

△	Item	Parts Number	Description	Area
		I. C. S		
	IC201	NJM2246D	I. C (MONO-ANALOG)	
	IC251	M5243AP12	I. C (M)	
	IC252	TC9163AN	I. C (DIGI-MOS)	
	IC301	NJM4580D-D	I. C.	
	IC311	NJM4580L	I. C (MONO-ANALOG)	
	IC312	NJM4580L	I. C (MONO-ANALOG)	
	IC313	NJM4580L	I. C (MONO-ANALOG)	
	IC321	TC9164AN	I. C (DIGI-MOS)	
	IC323	UPD4066BC	I. C (DIGI-MOS)	
	IC332	BA15218	I. C (MONO-ANALOG)	
	IC341	TC9412AP	I. C (M)	
	IC343	TC9413AP	I. C (M)	
	IC344	BA15218	I. C (MONO-ANALOG)	
		D10DES		
	D251	MTZJ6. 8C-T2	ZENER	
	D252	MTZJ6. 8C-T2	ZENER	
	D301	MTZJ8. 2C-T2	ZENER	
	D302	MTZJ8. 2C-T2	ZENER	
	D401	1SS133-T2	SI. DIODE	
	D402	1SS133-T2	SI. DIODE	
		TRANSISTORS		
	Q201	2SA933S/RS/-T	SILICON	
	Q202	2SC458/CD/-T	SILICON	
	Q203	DTC143ES-T	SILICON	
	Q204	2SA933S/RS/-T	SILICON	
	Q205	2SC458/CD/-T	SILICON	
	Q351	DTA144ES-T	SILICON	
	Q352	DTC144ES-T	SILICON	
	Q353	DTA144ES-T	SILICON	
	Q401	2SD2144S/VW/-T	SILICON	
	Q402	2SD2144S/VW/-T	SILICON	
	Q403	2SD2144S/VW/-T	SILICON	
	Q405	2SD2144S/VW/-T	SILICON	
	Q406	2SD2144S/VW/-T	SILICON	
	Q407	DTC144ES-T	SILICON	
	Q408	DTA144ES-T	SILICON	
	Q409	DTA144ES-T	SILICON	
		CAPACITORS		
	C211	QETB0JM-108N	1000MF 6.3V E. CAP.	
	C212	QETB1HM-475E	4.7MF 50V E. CAP.	
	C213	QETB1HM-475E	4.7MF 50V E. CAP.	
	C214	QETB0JM-108N	1000MF 6.3V E. CAP.	
	C215	QDVBI EZ-223Y	0.022MF 25V C CAP I M	
	C216	QETB1CM-107	100MF 16V AL E. CAP.	
	C231	QCBBIHK-221Y	220PF 50V CER. CAP.	
	C253	QCBBIHK-101Y	100PF 50V CER. CAP.	
	C254	QCBBIHK-101Y	100PF 50V CER. CAP.	
	C255	QETB1EM-476	47MF 25V AL E. CAP.	
	C256	QETB1EM-476	47MF 25V AL E. CAP.	
	C257	QETB1EM-476	47MF 25V AL E. CAP.	
	C258	QETB1EM-476	47MF 25V AL E. CAP.	
	C259	QCSB1HJ-100Y	10PF 50V CER. CAP.	
	C260	QCSB1HJ-100Y	10PF 50V CER. CAP.	
	C261	QCSB1HJ-100Y	10PF 50V CER. CAP.	
	C262	QCSB1HJ-100Y	10PF 50V CER. CAP.	
	C265	QETB1EM-226N	22MF 25V E. CAP.	
	C266	QETB1EM-226N	22MF 25V E. CAP.	
	C269	QDVBI EZ-223Y	0.022MF 25V C CAP I M	
	C270	QDVBI EZ-223Y	0.022MF 25V C CAP I M	
	C271	OFLB1HJ-272	2700PF 50V MYLAR CAP.	
	C272	OFLB1HJ-272	2700PF 50V MYLAR CAP.	
	C273	QCBBIHK-471Y	470PF 50V CER. CAP.	
	C274	QCBBIHK-471Y	470PF 50V CER. CAP.	
	C275	QFVJ1HJ-473Z	0.047MF 50V T. FILM	

△	Item	Parts Number	Description	Area
	C276	QFVJ1HJ-473Z	0.047MF 50V T. FILM	
	C277	OFLB1HJ-822	8200PF 50V MYLAR CAP.	
	C278	OFLB1HJ-822	8200PF 50V MYLAR CAP.	
	C279	QFVJ1HJ-684Z	0.68MF 50V T. FILM	
	C280	QFVJ1HJ-684Z	0.68MF 50V T. FILM	
	C281	QFVJ1HJ-104Z	0.1MF 50V T. FILM	
	C282	QFVJ1HJ-104Z	0.1MF 50V T. FILM	
	C283	QCSB1HJ-470	47PF 50V CER. CAP.	
	C284	QCSB1HJ-470	47PF 50V CER. CAP.	
	C287	QCBBIHK-561Y	560PF 50V CER. CAP.	
	C300	QDVBI EZ-223Y	0.022MF 25V C CAP I M	
	C301	QETB1HM-475E	4.7MF 50V E. CAP.	
	C302	QETB1HM-475E	4.7MF 50V E. CAP.	
	C303	QCBBIHK-101Y	100PF 50V CER. CAP.	
	C304	QCBBIHK-101Y	100PF 50V CER. CAP.	
	C305	OFLB1HJ-182	1800PF 50V MYLAR CAP.	
	C306	OFLB1HJ-182	1800PF 50V MYLAR CAP.	
	C307	OFLB1HJ-682	6800PF 50V MYLAR CAP.	
	C308	OFLB1HJ-682	6800PF 50V MYLAR CAP.	
	C309	QCS21HJ-101A	100PF 50V CER. CAP.	
	C310	QCS21HJ-101A	100PF 50V CER. CAP.	
	C311	QETB1HM-475E	4.7MF 50V E. CAP.	
	C312	QETB1HM-475E	4.7MF 50V E. CAP.	
	C313	QETC1AM-107ZN	100MF 10V E. CAP.	
	C314	QETC1AM-107ZN	100MF 10V E. CAP.	
	C315	QETB1CM-476	47MF 16V AL E. CAP.	
	C316	QETB1CM-476	47MF 16V AL E. CAP.	
	C321	QDVBI EZ-223Y	0.022MF 25V C CAP I M	
	C322	QDVBI EZ-223Y	0.022MF 25V C CAP I M	
	C323	QCBBIHK-221Y	220PF 50V CER. CAP.	
	C325	QCBBIHK-331Y	330PF 50V CER. CAP.	
	C326	QCBBIHK-331Y	330PF 50V CER. CAP.	
	C327	QCBBIHK-331Y	330PF 50V CER. CAP.	
	C328	QCBBIHK-331Y	330PF 50V CER. CAP.	
	C329	QCBBIHK-331Y	330PF 50V CER. CAP.	
	C330	QCBBIHK-331Y	330PF 50V CER. CAP.	
	C331	QCBBIHK-331Y	330PF 50V CER. CAP.	
	C332	QCBBIHK-331Y	330PF 50V CER. CAP.	
	C333	QCBBIHK-331Y	330PF 50V CER. CAP.	
	C334	QCBBIHK-331Y	330PF 50V CER. CAP.	
	C335	QCBBIHK-331Y	330PF 50V CER. CAP.	
	C336	QCBBIHK-331Y	330PF 50V CER. CAP.	
	C337	QCBBIHK-331Y	330PF 50V CER. CAP.	
	C338	QCBBIHK-331Y	330PF 50V CER. CAP.	
	C339	QCBBIHK-221Y	220PF 50V CER. CAP.	
	C340	QCBBIHK-221Y	220PF 50V CER. CAP.	
	C341	QETB1HM-475E	4.7MF 50V E. CAP.	
	C342	QETB1HM-475E	4.7MF 50V E. CAP.	
	C343	QETB1HM-475E	4.7MF 50V E. CAP.	
	C344	QETB1HM-475E	4.7MF 50V E. CAP.	
	C345	QDVBI EZ-223Y	0.022MF 25V C CAP I M	
	C346	QDVBI EZ-223Y	0.022MF 25V C CAP I M	
	C347	QCBBIHK-221Y	220PF 50V CER. CAP.	
	C348	QCBBIHK-221Y	220PF 50V CER. CAP.	
	C351	QETB1HM-105	1MF 50V AL E. CAP.	
	C352	QETB1HM-105	1MF 50V AL E. CAP.	
	C353	QDVBI EZ-223Y	0.022MF 25V C CAP I M	
	C354	QDVBI EZ-223Y	0.022MF 25V C CAP I M	
	C355	QETB1HM-105	1MF 50V AL E. CAP.	
	C356	QETB1HM-105	1MF 50V AL E. CAP.	
	C357	QDVBI EZ-223Y	0.022MF 25V C CAP I M	
	C358	QDVBI EZ-223Y	0.022MF 25V C CAP I M	
	C359	QDVBI EZ-223Y	0.022MF 25V C CAP I M	
	C360	QDVBI EZ-223Y	0.022MF 25V C CAP I M	
	C361	QETB1HM-475E	4.7MF 50V E. CAP.	

## ■Electrical Parts List (CONTROL P.C.B)

△	Item	Parts Number	Description	Area
	C362	OETB1EM-226N	22MF 25V E. CAP.	
	C363	OETB1EM-226N	22MF 25V E. CAP.	
	C365	OETB1HM-475E	4.7MF 50V E. CAP.	
	C366	OETB1HM-475E	4.7MF 50V E. CAP.	
	C401	QDVB1EZ-223Y	0.022MF 25V C CAP I M	
	C402	QDVB1EZ-223Y	0.022MF 25V C CAP I M	
	C403	OETB1HM-225	2.2MF 50V AL E. CAP.	
	C404	OETB1HM-225	2.2MF 50V AL E. CAP.	
	C405	QCBBIHK-561Y	560PF 50V CER. CAP.	
	C406	QCBBIHK-561Y	560PF 50V CER. CAP.	
	C407	QFVJ1HJ-274Z	0.27MF 50V T.F.I.LM	
	C408	QFVJ1HJ-274Z	0.27MF 50V T.F.I.LM	
	C409	OETB1HM-475E	4.7MF 50V E. CAP.	
	C410	OETB1HM-475E	4.7MF 50V E. CAP.	
	C419	OETB1HM-475E	4.7MF 50V E. CAP.	
	C421	QDVB1EZ-223Y	0.022MF 25V C CAP I M	
	C422	QDVB1EZ-223Y	0.022MF 25V C CAP I M	
	C423	OETB1HM-475E	4.7MF 50V E. CAP.	
	C424	OETB1HM-475E	4.7MF 50V E. CAP.	
	C425	OETB1HM-475E	4.7MF 50V E. CAP.	
	C426	OETB1HM-475E	4.7MF 50V E. CAP.	
	C427	OETB1HM-475E	4.7MF 50V E. CAP.	
	C428	OETB1HM-475E	4.7MF 50V E. CAP.	
	C431	OETC1AM-107ZN	100MF 10V E. CAP.	
	C432	QCBBIHK-471Y	470PF 50V CER. CAP.	
	C433	QCBBIHK-471Y	470PF 50V CER. CAP.	
		RESISTORS		
	R211	ORE141J-750Y	75 1/4W R. NETWORK	
	R212	ORE141J-473Y	47K 1/4W R. NETWORK	
	R213	ORE141J-331Y	330 1/4W R. NETWORK	
	R214	ORE141J-750Y	75 1/4W R. NETWORK	
	R215	ORE141J-331Y	330 1/4W R. NETWORK	
	R216	ORE141J-750Y	75 1/4W R. NETWORK	
	R217	ORE141J-750Y	75 1/4W R. NETWORK	
	R218	ORE141J-473Y	47K 1/4W R. NETWORK	
	R221	ORE141J-151Y	150 1/4W R. NETWORK	
	R222	ORE141J-152Y	1.5K 1/4W R. NETWORK	
	R223	ORE141J-271Y	270 1/4W R. NETWORK	
	R225	ORE141J-151Y	150 1/4W R. NETWORK	
	R226	ORE141J-271Y	270 1/4W R. NETWORK	
	R227	ORE141J-152Y	1.5K 1/4W R. NETWORK	
	R228	ORE141J-472Y	4.7K 1/4W R. NETWORK	
	R229	ORE141J-472Y	4.7K 1/4W R. NETWORK	
	R231	ORE141J-471Y	470 1/4W R. NETWORK	
	R232	ORE141J-221Y	220 1/4W R. NETWORK	
	R255	ORE141J-393Y	39K 1/4W R. NETWORK	
	R256	ORE141J-393Y	39K 1/4W R. NETWORK	
	R257	ORE141J-103Y	10K 1/4W R. NETWORK	
	R258	ORE141J-103Y	10K 1/4W R. NETWORK	
	R259	ORE141J-103Y	10K 1/4W R. NETWORK	
	R260	ORE141J-103Y	10K 1/4W R. NETWORK	
	R261	ORE141J-303Y	30K 1/4W R. NETWORK	
	R262	ORE141J-303Y	30K 1/4W R. NETWORK	
	R263	ORE141J-123Y	12K 1/4W R. NETWORK	
	R264	ORE141J-123Y	12K 1/4W R. NETWORK	
	R265	ORE141J-472Y	4.7K 1/4W R. NETWORK	
	R266	ORE141J-472Y	4.7K 1/4W R. NETWORK	
	R267	ORE141J-183Y	18K 1/4W R. NETWORK	
	R268	ORE141J-183Y	18K 1/4W R. NETWORK	
	R269	ORE141J-912Y	9.1K 1/4W R. NETWORK	
	R270	ORE141J-912Y	9.1K 1/4W R. NETWORK	
	R271	ORE141J-243Y	24K 1/4W R. NETWORK	
	R272	ORE141J-243Y	24K 1/4W R. NETWORK	
	R273	ORE141J-103Y	10K 1/4W R. NETWORK	
	R274	ORE141J-103Y	10K 1/4W R. NETWORK	

△	Item	Parts Number	Description	Area
	R275	ORE141J-333Y	33K 1/4W R. NETWORK	
	R276	ORE141J-333Y	33K 1/4W R. NETWORK	
	R279	ORE141J-681Y	680 1/4W R. NETWORK	
	R280	ORE141J-681Y	680 1/4W R. NETWORK	
	R301	ORE141J-222Y	2.2K 1/4W R. NETWORK	
	R302	ORE141J-222Y	2.2K 1/4W R. NETWORK	
	R303	ORE141J-473Y	47K 1/4W R. NETWORK	
	R304	ORE141J-473Y	47K 1/4W R. NETWORK	
	R305	ORE141J-561Y	560 1/4W R. NETWORK	
	R306	ORE141J-561Y	560 1/4W R. NETWORK	
	R307	ORE141J-393Y	39K 1/4W R. NETWORK	
	R308	ORE141J-393Y	39K 1/4W R. NETWORK	
	R309	ORE141J-474Y	470K 1/4W R. NETWORK	
	R310	ORE141J-474Y	470K 1/4W R. NETWORK	
	R311	ORE141J-104Y	100K 1/4W R. NETWORK	
	R312	ORE141J-104Y	100K 1/4W R. NETWORK	
△	R313	ORJ146J-391X	390 1/4W R. NETWORK	
△	R314	ORJ146J-391X	390 1/4W R. NETWORK	
	R321	ORE141J-271Y	270 1/4W R. NETWORK	
	R322	ORE141J-271Y	270 1/4W R. NETWORK	
	R323	ORE141J-102Y	1K 1/4W R. NETWORK	
	R325	ORE141J-471Y	470 1/4W R. NETWORK	
	R326	ORE141J-471Y	470 1/4W R. NETWORK	
	R327	ORE141J-471Y	470 1/4W R. NETWORK	
	R328	ORE141J-471Y	470 1/4W R. NETWORK	
	R329	ORE141J-471Y	470 1/4W R. NETWORK	
	R330	ORE141J-471Y	470 1/4W R. NETWORK	
	R331	ORE141J-471Y	470 1/4W R. NETWORK	
	R332	ORE141J-471Y	470 1/4W R. NETWORK	
	R333	ORE141J-471Y	470 1/4W R. NETWORK	
	R334	ORE141J-471Y	470 1/4W R. NETWORK	
	R335	ORE141J-471Y	470 1/4W R. NETWORK	
	R336	ORE141J-471Y	470 1/4W R. NETWORK	
	R341	ORE141J-104Y	100K 1/4W R. NETWORK	
	R342	ORE141J-104Y	100K 1/4W R. NETWORK	
	R343	ORE141J-104Y	100K 1/4W R. NETWORK	
	R344	ORE141J-104Y	100K 1/4W R. NETWORK	
△	R345	ORJ146J-271X	270 1/4W R. NETWORK	
△	R346	ORJ146J-271X	270 1/4W R. NETWORK	
	R347	ORE141J-153Y	15K 1/4W R. NETWORK	
	R348	ORE141J-153Y	15K 1/4W R. NETWORK	
	R349	ORE141J-153Y	15K 1/4W R. NETWORK	
	R350	ORE141J-153Y	15K 1/4W R. NETWORK	
	R351	ORE141J-303Y	30K 1/4W R. NETWORK	
	R352	ORE141J-303Y	30K 1/4W R. NETWORK	
	R353	ORE141J-103Y	10K 1/4W R. NETWORK	
	R354	ORE141J-103Y	10K 1/4W R. NETWORK	
	R355	ORE141J-104Y	100K 1/4W R. NETWORK	
	R356	ORE141J-104Y	100K 1/4W R. NETWORK	
△	R361	ORJ146J-271X	270 1/4W R. NETWORK	
△	R362	ORJ146J-271X	270 1/4W R. NETWORK	
	R363	ORE141J-912Y	9.1K 1/4W R. NETWORK	
	R364	ORE141J-912Y	9.1K 1/4W R. NETWORK	
	R365	ORE141J-102Y	1K 1/4W R. NETWORK	
	R366	ORE141J-102Y	1K 1/4W R. NETWORK	
	R367	ORE141J-104Y	100K 1/4W R. NETWORK	
	R368	ORE141J-104Y	100K 1/4W R. NETWORK	
	R371	ORE141J-821Y	820 1/4W R. NETWORK	
	R372	ORE141J-821Y	820 1/4W R. NETWORK	
	R373	ORE141J-102Y	1K 1/4W R. NETWORK	
	R374	ORE141J-103Y	10K 1/4W R. NETWORK	
	R375	ORE141J-103Y	10K 1/4W R. NETWORK	
	R377	ORE141J-104Y	100K 1/4W R. NETWORK	
	R378	ORE141J-104Y	100K 1/4W R. NETWORK	
△	R401	QRZ9005-680X	68 FUSIBLE	

■ Electrical Parts List (CONTROL P.C.B)

△	Item	Parts Number	Description	Area
△	R402	QRZ9005-680X	68 FUSIBLE	
	R403	ORE141J-393Y	39K 1/4W R.NETWORK	
	R404	ORE141J-393Y	39K 1/4W R.NETWORK	
	R405	ORE141J-224Y	220K 1/4W R.NETWORK	
	R406	ORE141J-224Y	220K 1/4W R.NETWORK	
	R407	ORE141J-154Y	150K 1/4W R.NETWORK	
	R408	ORE141J-154Y	150K 1/4W R.NETWORK	
	R409	ORE141J-103Y	10K 1/4W R.NETWORK	
	R410	ORE141J-103Y	10K 1/4W R.NETWORK	
	R421	ORE141J-123Y	12K 1/4W R.NETWORK	
	R422	ORE141J-102Y	1K 1/4W R.NETWORK	
	R423	ORE141J-154Y	150K 1/4W R.NETWORK	
	R425	ORE141J-102Y	1K 1/4W R.NETWORK	
	R429	ORE141J-104Y	100K 1/4W R.NETWORK	
	R430	ORE141J-104Y	100K 1/4W R.NETWORK	
	R431	ORE141J-104Y	100K 1/4W R.NETWORK	
	R432	ORE141J-104Y	100K 1/4W R.NETWORK	
	R433	ORE141J-103Y	10K 1/4W R.NETWORK	
	R434	ORE141J-103Y	10K 1/4W R.NETWORK	
	R435	ORE141J-102Y	1K 1/4W R.NETWORK	
	R436	ORE141J-102Y	1K 1/4W R.NETWORK	
	R437	ORE141J-102Y	1K 1/4W R.NETWORK	
	R439	ORE141J-102Y	1K 1/4W R.NETWORK	
	R440	ORE141J-102Y	1K 1/4W R.NETWORK	
	R441	ORE141J-102Y	1K 1/4W R.NETWORK	
	R442	ORE141J-103Y	10K 1/4W R.NETWORK	
△	R443	QRZ9005-680X	68 FUSIBLE	
△	R444	QRZ9005-680X	68 FUSIBLE	
	R445	ORE141J-154Y	150K 1/4W R.NETWORK	
	R446	ORE141J-154Y	150K 1/4W R.NETWORK	
	R447	ORE141J-154Y	150K 1/4W R.NETWORK	
	R448	ORE141J-102Y	1K 1/4W R.NETWORK	
		OTHERS		
		VWE370-094K4K	VINYL WIRE	
	J301	QNN0163-001	PIN JACK	
	J302	QNN0163-001	PIN JACK	
	J303	QNN0027-001	PIN JACK	
	J304	QNN0060-001	PIN JACK	
	J312	QNN0059-001	PIN JACK	
	J313	QNN0059-001	PIN JACK	
	J314	QNN0059-001	PIN JACK	
	J315	QNN0059-001	PIN JACK	
	J321	QNS0009-001	3.5 JACK	
	L201	QOL121M-R22Y	INDUCTOR 1.M	
	CN101	QGB2510J1-12	CONNECTOR	
	CN301	QGB2510K1-12	CONNECTOR	
	CN304	QGF1205C1-27	CONNECTOR	
	CN311	QGB2510J1-12	CONNECTOR	
	CN603	QGB2510K1-12	CONNECTOR	
	CN604	QGB2510K1-10	CONNECTOR	
	CN605	QGB2510K1-06	CONNECTOR	
	CN606	QGB2510K1-04	CONNECTOR	
	CN607	QGB2510K1-04	CONNECTOR	
	CN608	QGA2001C1-03	3P PLUG ASSY	
	CN611	QGB2510J1-08	CONNECTOR	
	CN612	QGB2510J1-09	CONNECTOR	
	CN613	QGB2510J1-12	CONNECTOR	
	CN614	QGB2510J1-10	CONNECTOR	
	CN615	QGB2510J1-06	CONNECTOR	
	CN616	QGB2510J1-04	CONNECTOR	
	CN617	QGB2510J1-04	CONNECTOR	
	CN702	EWS296-0130J	CONNECTOR WIRE ASSY	
	CN841	QGB2510K1-06	CONNECTOR	
	EP301	E409182-001SM	EARTH TERMINAL	

## Electrical Parts List (FRONT P.C.B)

Δ	Item	Parts Number	Description	Area
		I.C.S		
	IC401	MN173222JABN1	I.C(M)	
	IC402	GP1U271X	INFRARED DETECT UNIT	
	IC403	IC-PST600/E/-T	I.C.	
	IC404	BU2092	I.C(M)	
	IC601	TC9471F	I.C(M)	
		DIODES		
	D401	1SR139-200-T4	SILICON	
	D402	1SS133-T2	SI.DIODE	
	D403	1SS133-T2	SI.DIODE	
	D404	1SS133-T2	SI.DIODE	
	D410	1SS133-T2	SI.DIODE	
	D411	SLR-342VC-T	L.E.D.	
	D418	SLR-342MC-T	L.E.D.	
	D419	SLR-342MC-T	L.E.D.	
	D420	SLR-342MC-T	L.E.D.	
	D421	SLR-342MC-T	L.E.D.	
	D422	SLR-342MC-T	L.E.D.	
	D423	SLR-342MC-T	L.E.D.	
	D424	SLR-342MC-T	L.E.D.	
	D431	1SS133-T2	SI.DIODE	
	D432	1SS133-T2	SI.DIODE	
	D433	1SS133-T2	SI.DIODE	
	D434	1SS133-T2	SI.DIODE	
	D437	1SS133-T2	SI.DIODE	U UF US UT
	D441	1SS133-T2	SI.DIODE	
	D443	1SS133-T2	SI.DIODE	
	D444	1SS133-T2	SI.DIODE	U UF US UT
	D553	1SS133-T2	SI.DIODE	
	D703	1SS133-T2	SI.DIODE	
	D704	1SS133-T2	SI.DIODE	
	D711	SLR-342MC-T	L.E.D.	
	D712	SLR-342MC-T	L.E.D.	
		TRANSISTORS		
	Q401	DTC114YS-T	SILICON	
	Q402	DTC114TSTP	DIGITAL TRANSISTOR	
	Q403	DTC144WS-T	SILICON	
	Q410	DTC114YS-T	SILICON	
	Q411	DTC114YS-T	SILICON	
	Q412	DTC114YS-T	SILICON	
	Q413	DTC114YS-T	SILICON	
	Q414	DTC114YS-T	SILICON	
	Q551	2SC2240/L/-T	SILICON	
	Q552	2SC2240/L/-T	SILICON	
	Q561	2SA1038S/SE/-T	SILICON	
	Q701	2SC2240/L/-T	SILICON	
	Q702	2SC2240/L/-T	SILICON	
	Q703	2SC2240/L/-T	SILICON	
	Q704	2SC2240/L/-T	SILICON	
	Q707	2SA1038S/SE/-T	SILICON	
	Q708	2SA1038S/SE/-T	SILICON	
	Q711	2SC2389S/SE/-T	SILICON	
	Q712	2SC2389S/SE/-T	SILICON	
		CAPACITORS		
	C401	OETB1AM-227	220MF 10V E. CAP.	
	C402	OCZ0202-155	1.5MF 25V CER.RES.	
	C403	OEZ0329-10AZ	ELECTRO	
	C404	OETB1HM-225	2.2MF 50V AL.E.CAP.	
	C405	ODVB1EZ-223Y	0.022MF 25V C CAP I M	
	C406	OCBB1HK-331Y	330PF 50V CER.CAP.	
	C411	OETB1HM-475E	4.7MF 50V E. CAP.	
	C412	OETB1HM-475E	4.7MF 50V E. CAP.	
	C413	OETC1AM-107ZN	100MF 10V E. CAP.	
	C414	OETB1HM-475E	4.7MF 50V E. CAP.	
	C551	OETB1HM-106	10MF 50V E. CAP.	
	C552	QCS21HJ-271A	270PF 50V CER. CAP.	
	C553	QCS21HJ-101A	100PF 50V CER. CAP.	
	C556	QCB31HK-152Z	1500PF 50V CERAMIC	

Δ	Item	Parts Number	Description	Area
	C557	QCS21HJ-220A	22PF 50V CER. CAP.	
	C558	OETB1CM-476	47MF 16V AL.E.CAP.	
	C561	OETB1HM-225	2.2MF 50V AL.E.CAP.	
	C562	QCS22HJ-330	33PF 500V CER. CAP.	
	C563	OFLB1HJ-103	0.01MF 50V MYLAR CAP.	
	C564	OETB1HM-476	47MF 50V E. CAP.	
	C601	OETB1HM-475E	4.7MF 50V E. CAP.	
	C602	OETB1HM-475E	4.7MF 50V E. CAP.	
	C603	ODXB1CM-222Y	2200PF 16V C CAP.	
	C604	ODXB1CM-222Y	2200PF 16V C CAP.	
	C605	OETB1HM-475E	4.7MF 50V E. CAP.	
	C606	OETB1HM-475E	4.7MF 50V E. CAP.	
	C607	ODXB1CM-222Y	2200PF 16V C CAP.	
	C608	ODXB1CM-222Y	2200PF 16V C CAP.	
	C609	OETB1HM-475E	4.7MF 50V E. CAP.	
	C610	OETB1HM-475E	4.7MF 50V E. CAP.	
	C611	ODXB1CM-222Y	2200PF 16V C CAP.	
	C612	ODXB1CM-222Y	2200PF 16V C CAP.	
	C613	OETC1AM-476ZM	47MF 10V E. CAP.	
	C614	OETC1AM-476ZM	47MF 10V E. CAP.	
	C615	OETC1AM-476ZM	47MF 10V E. CAP.	
	C616	OETC1AM-476ZM	47MF 10V E. CAP.	
	C617	OETC1AM-476ZM	47MF 10V E. CAP.	
	C618	OETC1AM-476ZM	47MF 10V E. CAP.	
	C619	OETC1AM-476ZM	47MF 10V E. CAP.	
	C620	OETC1AM-476ZM	47MF 10V E. CAP.	
	C621	OETC1AM-476ZM	47MF 10V E. CAP.	
	C622	ODYB1CM-103Y	0.01MF 16V C CAP.	
	C623	OETC1AM-476ZM	47MF 10V E. CAP.	
	C624	ODYB1CM-103Y	0.01MF 16V C CAP.	
	C628	OETC1AM-476ZM	47MF 10V E. CAP.	
	C630	ODYB1CM-103Y	0.01MF 16V C CAP.	
	C631	ODYB1CM-103Y	0.01MF 16V C CAP.	
	C632	OETC1AM-476ZM	47MF 10V E. CAP.	
	C633	ODYB1CM-103Y	0.01MF 16V C CAP.	
	C634	ODYB1CM-103Y	0.01MF 16V C CAP.	
	C635	OCGB1HK-102	1000PF 50V CER. CAP.	
	C636	QCSB1HJ-100Y	10PF 50V CER. CAP.	
	C637	QCSB1HJ-470	47PF 50V CER. CAP.	
	C701	OETB1HM-106	10MF 50V E. CAP.	
	C702	OETB1HM-106	10MF 50V E. CAP.	
	C703	QCS21HJ-271A	270PF 50V CER. CAP.	
	C704	QCS21HJ-271A	270PF 50V CER. CAP.	
	C705	QCS21HJ-101A	100PF 50V CER. CAP.	
	C706	QCS21HJ-101A	100PF 50V CER. CAP.	
	C711	OETB1CM-107	100MF 16V AL.E.CAP.	
	C712	OETB1CM-107	100MF 16V AL.E.CAP.	
	C713	QCS21HJ-220A	22PF 50V CER. CAP.	
	C714	QCS21HJ-220A	22PF 50V CER. CAP.	
	C717	QCB31HK-152Z	1500PF 50V CERAMIC	
	C718	QCB31HK-152Z	1500PF 50V CERAMIC	
	C721	QCS22HJ-220	22PF 500V CER. CAP.	
	C722	QCS22HJ-220	22PF 500V CER. CAP.	
	C723	OETB1HM-225	2.2MF 50V AL.E.CAP.	
	C724	OETB1HM-225	2.2MF 50V AL.E.CAP.	
	C727	OFLB1HJ-103	0.01MF 50V MYLAR CAP.	
	C728	OFLB1HJ-103	0.01MF 50V MYLAR CAP.	
	C739	OETB1JM-107	100MF 63V AL.E.CAP.	
		RESISTORS		
	R401	ORE141J-103Y	10K 1/4W R. NETWORK	
	R402	ORE141J-331Y	330 1/4W R. NETWORK	
	R403	ORE141J-223Y	22K 1/4W R. NETWORK	
	R404	ORE141J-103Y	10K 1/4W R. NETWORK	
	R405	ORE141J-472Y	4.7K 1/4W R. NETWORK	
	R408	ORE141J-103Y	10K 1/4W R. NETWORK	
	R409	ORE141J-471Y	470 1/4W R. NETWORK	
	R410	ORE141J-103Y	10K 1/4W R. NETWORK	
	R411	ORE141J-221Y	220 1/4W R. NETWORK	





△	Item	Parts Number	Description	Area
	R412	ORE141J-103Y	10K 1/4W R.NETWORK	
	R413	ORE141J-103Y	10K 1/4W R.NETWORK	
	R414	ORE141J-103Y	10K 1/4W R.NETWORK	
	R417	ORE141J-221Y	220 1/4W R.NETWORK	
	R418	ORE141J-221Y	220 1/4W R.NETWORK	
	R419	ORE141J-472Y	4.7K 1/4W R.NETWORK	
	R420	ORE141J-104Y	100K 1/4W R.NETWORK	
	R421	ORE141J-104Y	100K 1/4W R.NETWORK	
	R422	ORE141J-104Y	100K 1/4W R.NETWORK	
	R423	ORE141J-222Y	2.2K 1/4W R.NETWORK	
	R424	ORE141J-222Y	2.2K 1/4W R.NETWORK	
	R425	ORE141J-222Y	2.2K 1/4W R.NETWORK	
	R426	ORE141J-222Y	2.2K 1/4W R.NETWORK	
	R436	ORE141J-221Y	220 1/4W R.NETWORK	
	R437	ORE141J-221Y	220 1/4W R.NETWORK	
	R438	ORE141J-221Y	220 1/4W R.NETWORK	
	R439	ORE141J-221Y	220 1/4W R.NETWORK	
	R440	ORE141J-221Y	220 1/4W R.NETWORK	
	R441	ORE141J-221Y	220 1/4W R.NETWORK	
	R442	ORE141J-221Y	220 1/4W R.NETWORK	
	R443	ORE141J-221Y	220 1/4W R.NETWORK	
	R444	ORE141J-221Y	220 1/4W R.NETWORK	
	R445	ORE141J-221Y	220 1/4W R.NETWORK	
	R446	ORE141J-221Y	220 1/4W R.NETWORK	
	R447	ORE141J-221Y	220 1/4W R.NETWORK	
	R448	ORE141J-221Y	220 1/4W R.NETWORK	
	R449	ORE141J-221Y	220 1/4W R.NETWORK	
	R450	ORE141J-221Y	220 1/4W R.NETWORK	
	R451	ORE141J-221Y	220 1/4W R.NETWORK	
	R452	ORE141J-221Y	220 1/4W R.NETWORK	
	R453	ORE141J-221Y	220 1/4W R.NETWORK	
	R454	ORE141J-221Y	220 1/4W R.NETWORK	
	R455	ORE141J-221Y	220 1/4W R.NETWORK	
	R456	ORE141J-221Y	220 1/4W R.NETWORK	
	R457	ORE141J-221Y	220 1/4W R.NETWORK	
	R458	ORE141J-221Y	220 1/4W R.NETWORK	
	R459	ORE141J-221Y	220 1/4W R.NETWORK	
	R520	ORE141J-104Y	100K 1/4W R.NETWORK	
	R551	ORE141J-222Y	2.2K 1/4W R.NETWORK	
	R552	ORE141J-563Y	56K 1/4W R.NETWORK	
	R553	ORE141J-302Y	3K 1/4W R.NETWORK	
	R555	ORE141J-183Y	18K 1/4W R.NETWORK	
	R556	ORE141J-101Y	100 1/4W R.NETWORK	
	R558	ORE141J-391Y	390 1/4W R.NETWORK	C J
		ORE141J-431Y	430 1/4W R.NETWORK	U UF US UT
	R560	ORE141J-563Y	56K 1/4W R.NETWORK	
	R561	ORJ146J-331X	330 1/4W R.NETWORK	
	R563	ORE141J-332Y	3.3K 1/4W R.NETWORK	
	R564	ORE141J-332Y	3.3K 1/4W R.NETWORK	
	R565	ORE141J-332Y	3.3K 1/4W R.NETWORK	
	R566	ORE141J-332Y	3.3K 1/4W R.NETWORK	
△	R569	ORJ146J-100X	10 1/4W R.NETWORK	
△	R570	ORJ146J-100X	10 1/4W R.NETWORK	
	R601	ORE141J-271Y	270 1/4W R.NETWORK	
	R602	ORE141J-271Y	270 1/4W R.NETWORK	
	R603	ORE141J-271Y	270 1/4W R.NETWORK	
	R604	ORE141J-271Y	270 1/4W R.NETWORK	
	R605	ORE141J-271Y	270 1/4W R.NETWORK	
	R606	ORE141J-271Y	270 1/4W R.NETWORK	
	R607	ORE141J-225Y	2.2M 1/4W R.NETWORK	
	R608	ORE141J-104Y	100K 1/4W R.NETWORK	
	R609	ORE141J-104Y	100K 1/4W R.NETWORK	
	R610	ORE141J-104Y	100K 1/4W R.NETWORK	
	R611	ORE141J-104Y	100K 1/4W R.NETWORK	
	R612	ORE141J-103Y	10K 1/4W R.NETWORK	
	R613	ORE141J-103Y	10K 1/4W R.NETWORK	
	R614	ORE141J-103Y	10K 1/4W R.NETWORK	
	R701	ORE141J-222Y	2.2K 1/4W R.NETWORK	

△	Item	Parts Number	Description	Area
	R702	ORE141J-222Y	2.2K 1/4W R.NETWORK	
	R703	ORE141J-563Y	56K 1/4W R.NETWORK	
	R704	ORE141J-563Y	56K 1/4W R.NETWORK	
	R705	ORE141J-332Y	3.3K 1/4W R.NETWORK	
	R706	ORE141J-332Y	3.3K 1/4W R.NETWORK	
	R709	ORE141J-183Y	18K 1/4W R.NETWORK	
	R710	ORE141J-183Y	18K 1/4W R.NETWORK	
	R711	ORE141J-391Y	390 1/4W R.NETWORK	C J
		ORE141J-431Y	430 1/4W R.NETWORK	U UF US UT
	R712	ORE141J-391Y	390 1/4W R.NETWORK	C J
		ORE141J-431Y	430 1/4W R.NETWORK	U UF US UT
	R713	ORE141J-563Y	56K 1/4W R.NETWORK	
	R714	ORE141J-563Y	56K 1/4W R.NETWORK	
	R717	ORE141J-101Y	100 1/4W R.NETWORK	
	R718	ORE141J-101Y	100 1/4W R.NETWORK	
△	R721	ORJ146J-331X	330 1/4W R.NETWORK	
△	R722	ORJ146J-331X	330 1/4W R.NETWORK	
	R727	ORE141J-473Y	47K 1/4W R.NETWORK	
	R728	ORE141J-473Y	47K 1/4W R.NETWORK	
△	R729	ORJ146J-331X	330 1/4W R.NETWORK	
△	R730	ORJ146J-331X	330 1/4W R.NETWORK	
△	R739	ORJ146J-100X	10 1/4W R.NETWORK	
△	R740	ORJ146J-100X	10 1/4W R.NETWORK	
	R741	ORE141J-104Y	100K 1/4W R.NETWORK	
	R742	ORE141J-104Y	100K 1/4W R.NETWORK	
	RA401	ORB049J-103	10K 1/10WRES.	
	RA402	ORB109J-103	10K 1/10WNETWORK RES.	
		OTHERS		
		E3400-431	FELT SPACER	
		VWE350-144K4K	VINYL WIRE	
		VWE370-04A1A1	VINYL WIRE	
		VWE370-08A1A1	VINYL WIRE	
	L601	QOL121M-2R2Y	INDUCTOR 1.M	
	S401	OSW0683-001Z	PUSH SWITCH	
	S402	OSW0683-001Z	PUSH SWITCH	
	S403	OSW0683-001Z	PUSH SWITCH	
	S404	OSW0683-001Z	PUSH SWITCH	
	S405	OSW0683-001Z	PUSH SWITCH	
	S406	OSW0683-001Z	PUSH SWITCH	
	S407	OSW0683-001Z	PUSH SWITCH	
	S408	OSW0683-001Z	PUSH SWITCH	
	S409	OSW0683-001Z	PUSH SWITCH	
	S410	OSW0683-001Z	PUSH SWITCH	
	S411	OSW0683-001Z	PUSH SWITCH	
	S412	OSW0683-001Z	PUSH SWITCH	
	S413	OSW0683-001Z	PUSH SWITCH	
	X401	OAX0112-001Z	RESONATOR 1.M	
	X601	OAX0257-001Z	RESONATOR 1.M	
	CN314	OGF1205C1-27	CONNECTOR	
	CN421	EWS26D-A408J	SOCKET WIRE ASSY	
	CN431	OGA2001C1-13	13P PLUG ASSY	
	CN601	OGB2510K1-08	CONNECTOR	
	CN602	OGB2510K1-09	CONNECTOR	
	CN628	EWS293-0120	SOCKET WIRE	
	CN701	OGB2510K1-10	CONNECTOR	
	CN703	OGB2510K1-05	CONNECTOR	
	CN712	OGA2001F1-06	6P PLUG ASSY	
	CN811	OGF1205C1-13	CONNECTOR	
	D1401	OLF0002-001	FLUORESCENT DISPLAY TUBE	
	FH001	E309106-001SM	FL. HOLDER	
	FS001	E3400-444	FELT SPACER	
	FS002	E3400-444	FELT SPACER	
	HL401	VYH7653-001	I. C. PROTECTOR	
	HL601	VYH7237-002	I. C. COVER	
	JS401	OSW0502-001	SW	

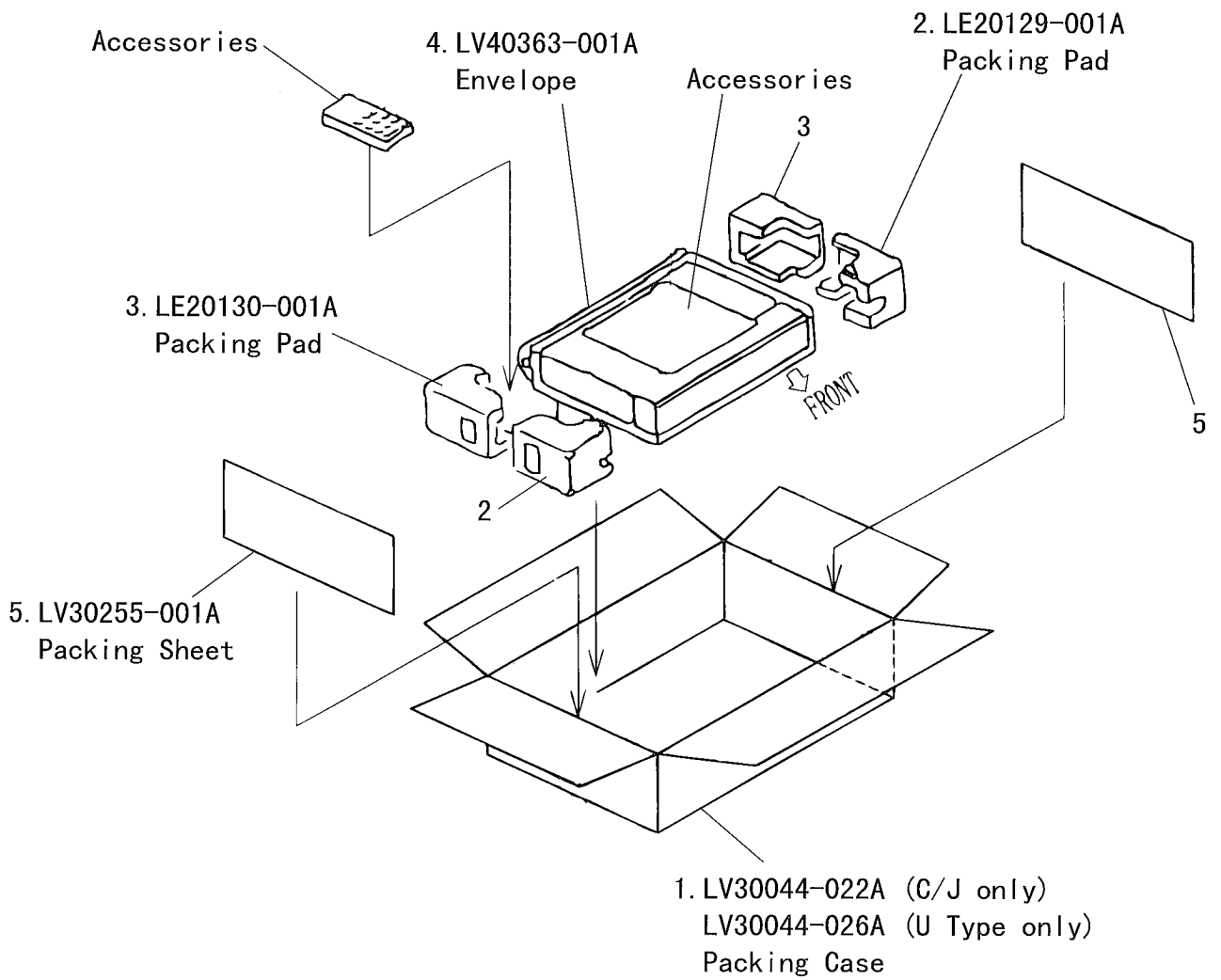
## ■ Parts List

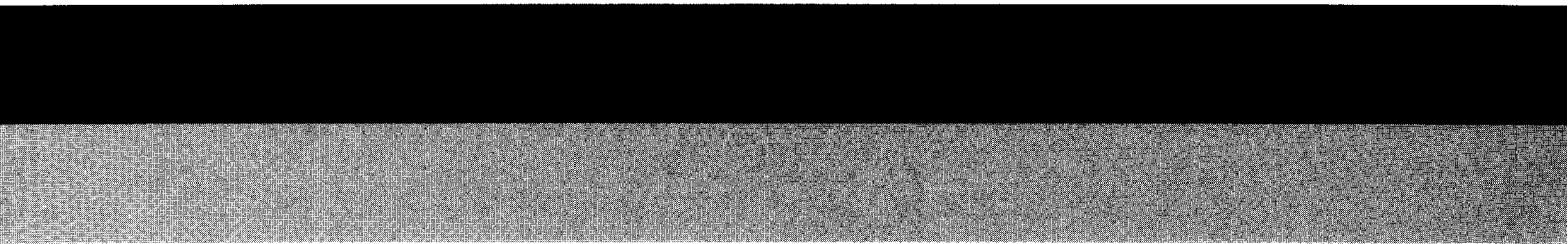
Block No. M2MM

△	Item	Parts Number	Parts Name	Q'ty	Description	Area
	1	LET0117-001B	INSTRUCTION BOOK	1		J
		LET0117-002A	INSTRUCTION BOOK	1		C
		LET0117-003A	INSTRUCTION BOOK	1		U UF US UT
	2	RM-SR554UKP	REMOCON	1		C J
		RM-SR554XUKP	REMOCON	1		U UF US UT
	3	R6SPTT-2STS	BATTERY	1		
	4	EWP201-011	ANTENNA WIRE	1		
	5	OAL0014-001	AM LOOP ANT	1		
	6	QAM0054-001	CONVERSION PLUG	1		U US
		QAM0055-001	CONVERSION PLUG	1		UT
	7	BT-52002-1	WARRANTY CARD	1		C
	8	BT-20071B	SERVICE NETWORK	1		C
	9	BT-20044G	SAFETY SHEET	1		J
	10	BT-51006-1	REGISTER CARD	1		J
	11	QPA02503505P	POLY BAG	1		

# Packing Materials and Parts Numbers

Block No. M 3 MM





**JVC**

VICTOR COMPANY OF JAPAN, LIMITED

AUDIO DIVISION, 10-1, 1Chome, Ohwatari-machi, maebashi-city, 371-8543, Japan